

Interface converter - PSM-EG-RS232/RS422-P/4K - 2761266

Please be informed that the data shown in this PDF Document is generated from our Online Catalog. Please find the complete data in the user's documentation. Our General Terms of Use for Downloads are valid (<http://phoenixcontact.com/download>)




Interface converter, for converting RS-232 (V.24) to RS-422 (V.11), with electrical isolation, 4 channels, rail-mountable

Product Features

- RS-422 4-wire point-to-point operation
- Transmission speed of up to 64 kbps
- High-quality 3-way isolation between power supply, RS-232, and RS-422 for safe electrical isolation of potentials with 2.5 kV
- Integrated surge protection with transient discharge to the DIN rail
- As an alternative, data cables can be connected via D-SUB plugs or plug-in screw terminal blocks



Key Commercial Data

| | |
|--------------------------------------|---|
| Packing unit | 1 pc |
| GTIN |  4 017918 064631 |
| Weight per Piece (excluding packing) | 250.08 g |
| Custom tariff number | 85176200 |
| Country of origin | Germany |

Technical data

Note

| | |
|-------------------------|---|
| Utilization restriction | EMC: class A product, see manufacturer's declaration in the download area |
|-------------------------|---|

Dimensions

| | |
|--------|--------|
| Width | 45 mm |
| Height | 75 mm |
| Depth | 110 mm |

Ambient conditions

| | |
|---------------------------------|----------------|
| Ambient temperature (operation) | 0 °C ... 50 °C |
| Noise immunity | EN 50 082-2 |

Interface converter - PSM-EG-RS232/RS422-P/4K - 2761266

Technical data

General

| | |
|--|--|
| Transmission channels | 4 (2/2), RxD, TxD, RTS, CTS; full duplex |
| Bit delay | ≤ 3 μs |
| Bit distortion | ≤ 5 % |
| Electrical isolation | VCC // V.24 (RS-232) // RS-422 |
| Test voltage data interfaces | 2.5 kV AC |
| Test voltage data interface/power supply | 2.5 kV AC |
| | 2.5 kV |
| Electromagnetic compatibility | Conformance with EMC Directive 2014/30/EU |
| Noise emission | EN 50 081-1 |
| Net weight | 250.08 g |
| Housing material | ABS |
| Color | green |
| MTBF | 1045 Years (Telcordia standard, 25°C temperature, 21% operating cycle (5 days a week, 8 hours a day)) |
| | 223 Years (Telcordia standard, 40°C temperature, 34.25% operating cycle (5 days a week, 12 hours a day)) |
| UL, USA / Canada | cUL 508 Recognized |

Power supply

| | |
|-----------------------------|-------------------------|
| Supply voltage range | 19.2 V DC ... 28.8 V DC |
| Typical current consumption | 130 mA (24 V DC) |

Serial interface

| | |
|---------------------------------------|---|
| Interface 1 | V.24 (RS-232) interface in acc. with ITU-T V.28, EIA/TIA-232, DIN 66259-1 |
| Connection method | D-SUB-9 plug |
| | Pluggable screw connection |
| Transmission length | 15 m (twisted pair) |
| Conductor cross section flexible min. | 0.2 mm ² |
| Conductor cross section flexible max. | 2.5 mm ² |
| Conductor cross section AWG min. | 24 |
| Conductor cross section AWG max. | 13 |
| Serial transmission speed | 64 kbps |
| Interface 2 | RS-422 interface in acc. with ITU-T V.11, EIA/TIA-422, DIN 66348-1 |
| Connection method | D-SUB-15 male connector |
| | Pluggable screw connection |
| Transmission length | 1200 m (twisted pair) |
| Termination resistor | 510 Ω |
| | 150 Ω |
| | 510 Ω (Can be connected) |
| Conductor cross section flexible min. | 0.2 mm ² |
| Conductor cross section flexible max. | 2.5 mm ² |
| Conductor cross section AWG min. | 24 |

Interface converter - PSM-EG-RS232/RS422-P/4K - 2761266

Technical data

Serial interface

| | |
|----------------------------------|---------|
| Conductor cross section AWG max. | 13 |
| Serial transmission speed | 64 kbps |

Standards and Regulations

| | |
|----------------------------------|---|
| Electromagnetic compatibility | Conformance with EMC Directive 2014/30/EU |
| Noise emission | EN 50 081-1 |
| Noise immunity | EN 50 082-2 |
| Connection in acc. with standard | CUL |
| UL, USA / Canada | cUL 508 Recognized |

Classifications

eCl@ss

| | |
|------------|----------|
| eCl@ss 4.0 | 27250312 |
| eCl@ss 4.1 | 27250312 |
| eCl@ss 5.0 | 27242208 |
| eCl@ss 5.1 | 27242208 |
| eCl@ss 6.0 | 27242208 |
| eCl@ss 7.0 | 27242208 |
| eCl@ss 8.0 | 19179290 |
| eCl@ss 9.0 | 19179290 |

ETIM

| | |
|----------|----------|
| ETIM 2.0 | EC000310 |
| ETIM 3.0 | EC000310 |
| ETIM 4.0 | EC000310 |
| ETIM 5.0 | EC000310 |

UNSPSC

| | |
|---------------|----------|
| UNSPSC 6.01 | 30211506 |
| UNSPSC 7.0901 | 39121008 |
| UNSPSC 11 | 39121008 |
| UNSPSC 12.01 | 39121008 |
| UNSPSC 13.2 | 43201553 |

Approvals

Approvals

Approvals

UL Recognized / cUL Recognized / EAC / EAC / cULus Recognized

Interface converter - PSM-EG-RS232/RS422-P/4K - 2761266

Approvals

Ex Approvals

Approvals submitted

Approval details

UL Recognized

cUL Recognized

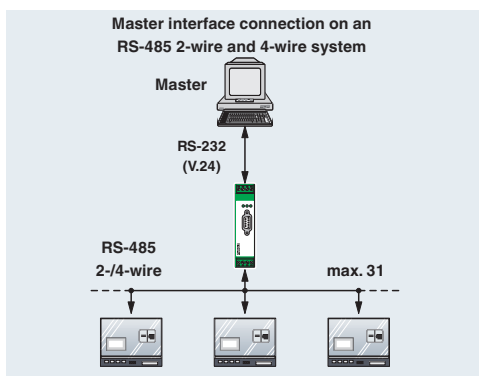
EAC

EAC

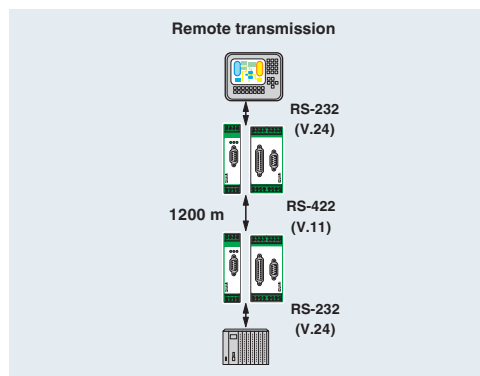
cULus Recognized

Drawings

Application drawing

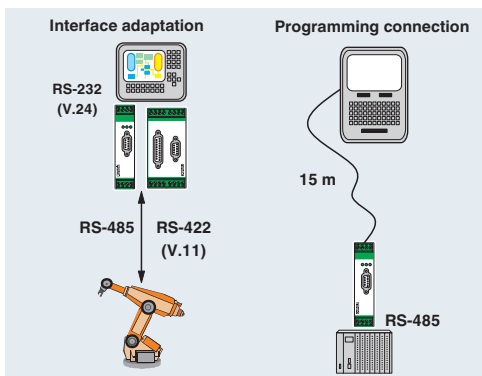


Application drawing

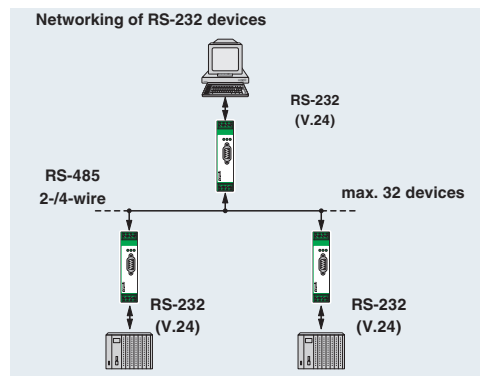


Interface converter - PSM-EG-RS232/RS422-P/4K - 2761266

Application drawing



Application drawing



Circuit diagram

