

# PSI-MOS-RS232/FO1300 E

Order No.: 2708588



<http://eshop.phoenixcontact.de/phoenix/treeViewClick.do?UID=2708588>

Fiber optic converter with integrated optical diagnostics, alarm contact, for RS-232 interfaces up to 115.2 kbps, termination device with one fiber optic interface (SC duplex), 1300 nm, for glass fiber cable



Commercial data	
EAN	4046356176286
Pack	1 pcs.
Customs tariff	85176200
Weight/Piece	0.2227 KG
Catalog page information	Page 515 (IF-2009)

### Product notes

WEEE/RoHS-compliant since:  
08/28/2007



<http://www.download.phoenixcontact.com>  
Please note that the data given here has been taken from the online catalog. For comprehensive information and data, please refer to the user documentation. The General Terms and Conditions of Use apply to Internet downloads.

## Technical data

Serial interface	
Interface 1	RS-232 interface in acc. with ITU-T V.28, EIA/TIA-232, DIN 66259-1
Data rate	115,2 kBit/s (NRZ)
Transmission length	15 m

---

Type of connection	D-SUB-9 male connector
Serial transmission rate	115.2 kbps (NRZ)

#### Optical interface FO

Wave length	1300 nm
Transmission length incl. 3 dB system reserve	25 km (With F-G 50/125 0.7 dB/km at 1300 nm) 45 km (With F-E 9/125 0,4 dB/km at 1300 nm)
Transmission protocol	Transparent to protocol for RS-232 interface
Type of connection	SC-DUPLEX

#### Fault warning output

Maximum switching voltage	60 V DC 42 V AC
Limiting continuous current	1 A

#### Power supply

Nominal supply voltage	24 V DC $\pm$ 25%
Range of supply voltages	18 V DC ... 32 V DC
Typical current consumption	110 mA
Type of connection	Pluggable COMBICON screw terminal block

#### General data

Transmission channels	2 (1/1), RxD, TxD, full duplex
Bit distortion, input	$\pm$ 35 % (permitted)
Bit distortion output	< 6.25 %
Width	35 mm
Height	105 mm
Depth	99 mm
Ambient temperature (storage/transport)	-40 °C ... 85 °C
Ambient temperature (operation)	-20 °C ... 60 °C
Electrical isolation	RS-232 // supply
Electromagnetic compatibility	Conformance with EMC directive 89/336/EEC
Emitted interference	EN 55011
Immunity to interference	EN 61000-6-2:2005
Degree of protection	IP20
Housing material	PA V0, color green
Color	green

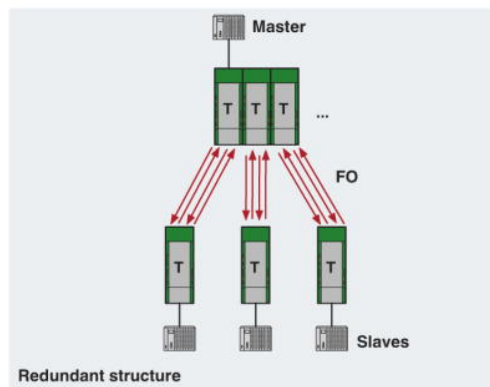
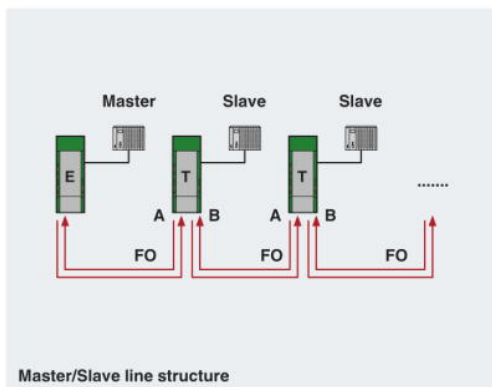
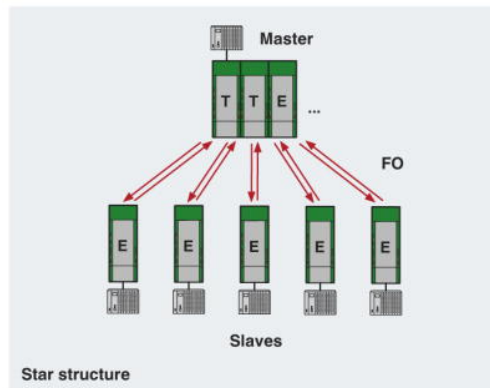
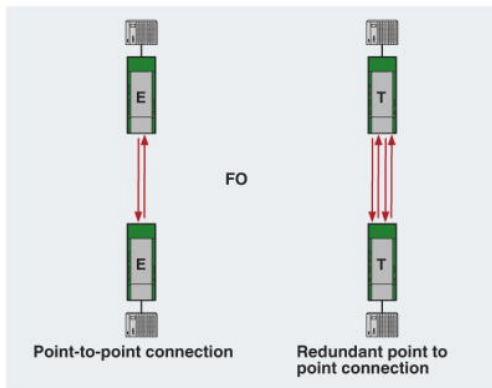
ATEX approval	Ex II 3 G Ex nAC IIC T4 X
UL, USA / Canada	cUL 508 Recognized

**Accessories**

Item	Designation	Description
<b>Cable/conductor</b>		
2319200	PSM-KAD-IL RS232/9SUB/B/0,8M	Adapter cable to connect the IB IL RS232 and IB IL RS232-PRO Inline communication terminals to the interface converter, e.g. modem, Com server, Bluetooth or fiber optics.

**Drawings**

Application drawing



**Address**

PHOENIX CONTACT GmbH & Co. KG  
Flachmarktstr. 8  
32825 Blomberg, Germany  
Phone +49 5235 3 00  
Fax +49 5235 3 41200  
<http://www.phoenixcontact.com>



© 2009 Phoenix Contact  
Technical modifications reserved;