

SACC-DSI-MSD-4CON-L180/SCO SH

Order No.: 1553035

<http://eshop.phoenixcontact.de/phoenix/treeViewClick.do?UID=1553035>

Bus system flush-type plug, ETHERNET and PROFINET, 4-pos., M12 SPEEDCON, shielded, D-coded, rear/screw mounting with Pg9 thread, with straight solder connection



Ethernet

Commercial data

EAN	4046356162227
Pack	20 pcs.
Customs tariff	85366990
Weight/Piece	0.0136 KG
Catalog page information	Page 28 (PC-2009)

Product notes

WEEE/RoHS-compliant since:
04/13/2007



<http://www.download.phoenixcontact.com>
Please note that the data given here has been taken from the online catalog. For comprehensive information and data, please refer to the user documentation. The General Terms and Conditions of Use apply to Internet downloads.

Technical data**General data**

Nominal current I_N	4 A
Nominal voltage U_N	250 V
Number of positions	4
Volume resistance	$\leq 3 \text{ m}\Omega$

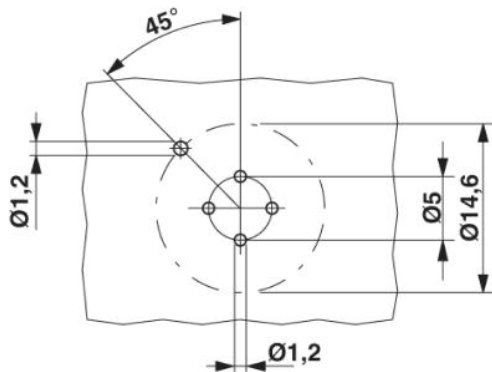
Insulation resistance	$\geq 100 \text{ M}\Omega$
Ambient temperature (operation)	-25 °C ... 85 °C (plug/socket)

General characteristics

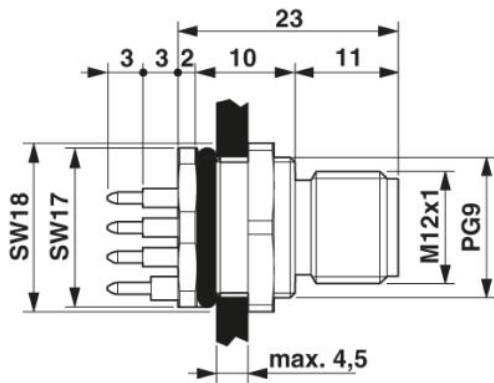
Coding	D - data
Inflammability class acc. to UL 94	V0
Surge voltage category	II
Pollution degree	3
Degree of protection	IP67
Contact material	CuZn
Contact surface material	Au
Contact carrier material	PA 66
Material, knurls	Zinc die-cast, (nickel-plated)
Sealing material	NBR
Mounting type	Rear mounting, Pg9 thread with flat nut
Type of connection	Solder pins
Length of the solder contacts	6 mm
Status display	No

Drawings

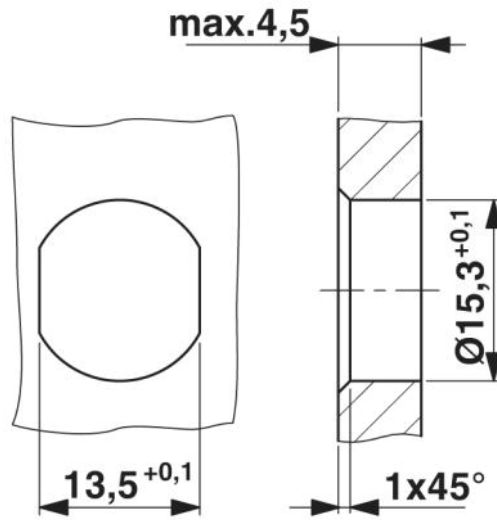
Drilling diagram



Dimensioned drawing

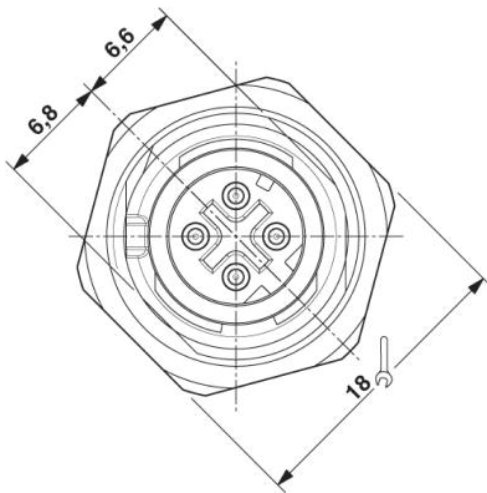


M12 flush-type connector



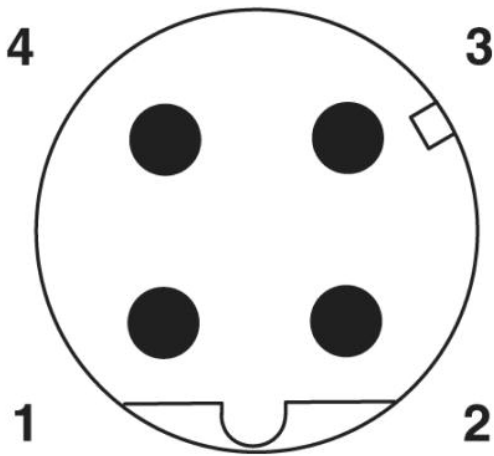
Montageausschnitt mit Verdrehenschutz für PG9-Gewinde

Frontansicht M12



Schematic diagram

Pin assignment M12 male connector, 4-pos., D-coded, male side



Address

PHOENIX CONTACT GmbH & Co. KG
Flachmarktstr. 8
32825 Blomberg, Germany
Phone +49 5235 3 00
Fax +49 5235 3 41200
<http://www.phoenixcontact.com>



© 2009 Phoenix Contact
Technical modifications reserved;