

Please note that the data given here has been taken from the online catalog. For comprehensive information and data, please refer to the user documentation at <http://www.download.phoenixcontact.com>. The General Terms and Conditions of Use apply to Internet downloads.

► Extract from the online catalog



DIN rail, material: Copper, unperforated, height 7.5 mm, width 35 mm, length: 2 m

Order No.	0801762
Ord designation	NS 35/ 7,5 CU UNPERF 2000MM
EAN	4017918006693
Pack	1 Meter
Customs tariff	74072190
Weight/Piece	0.39 KG
Catalog page information	Page 505 (CL-2007)

► Product notes

WEEE/RoHS-compliant since: 01/01/2003



IMPORTANT : This date is valid for Customers in Germany only. Date Format is MM/DD/YYYY. Please contact your local in-country Phoenix Contact location or designated business partner for a Logistics Compliant date in your area. In order to guarantee delivery of RoHS-Compliant product, please purchase Phoenix Contact parts from authorized Phoenix Contact representatives and distributors.

► Technical data

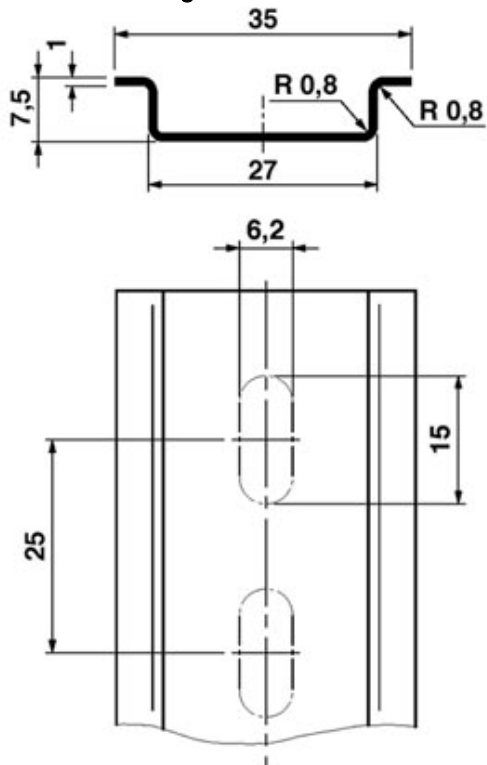


General data

Height	7.5 mm
Length	2000 mm
Width	35 mm
Material	Copper
Color	copper
Test standard	In acc. with EN 60715: 2001

► Drawings

Dimensioned drawing



► Address

PHOENIX CONTACT GmbH & Co. KG
Flachsmarktstr. 8
32825 Blomberg
Germany
Phone +49 5235 3 00
Fax +49 5235 3 41200
<http://www.phoenixcontact.de>
Phoenix Contact
Technical modifications reserved;