

Please note that the data given here has been taken from the online catalog. For comprehensive information and data, please refer to the user documentation at <http://www.download.phoenixcontact.com>. The General Terms and Conditions of Use apply to Internet downloads.

## ► Extract from the online catalog



PLC Relay, consisting of basic terminal block PLC-BSP.../21 HC with spring-cage connection, and pluggable miniature relays for high continuous current, for assembly on DIN rail NS 35/7.5, 1 PDT, input voltage 24 V DC, limiting continuous current up to 10 A

Order No.	2912277
Ord designation	PLC-RSP- 24DC/21HC
EAN	4046356050685
Pack	10 Pcs.
Customs tariff	85364900
Weight/Piece	0.06713 KG
Catalog page information	Page 75 (IF-2007)

## ► Product notes

WEEE/RoHS-compliant since: 04/12/2006



**IMPORTANT :** This date is valid for Customers in Germany only. Date Format is MM/DD/YYYY. Please contact your local in-country Phoenix Contact location or designated business partner for a Logistics Compliant date in your area. In order to guarantee delivery of RoHS-Compliant product, please purchase Phoenix Contact parts from authorized Phoenix Contact representatives and distributors.

---

▶ **Technical data**

---

**Coil side**

Nominal input voltage $U_N$	24 V DC
Nominal input current at $U_N$	18 mA
Typical response time	8 ms
Typical release time	10 ms
Operating voltage display	Yellow LED
Name of protection	Polarity protection
Protective circuit/component	Polarity protection diode

**Contact side**

Contact type	Single contact, 1 PDT
Contact material	AgNi
Maximum switching voltage	250 V AC/DC (The separating plate PLC-ATP should be installed for voltages larger than 250 V (L1, L2, L3) between identical terminal blocks in adjacent modules. Potential bridging is then carried out with FBST 8-PLC... or ...FBST 500...)
Minimum switching voltage	12 V AC/DC
Maximum inrush current	30 A (300 ms)
Min. switching current	100 mA
Limiting continuous current	10 A
Limiting continuous current	6 A (value applies to connections 12. If connections 12 are bridged, the normal value applies.)
Power rating (ohmic load) max.	240 W (for 24 V DC)
Power rating (ohmic load) max.	58 W (for 48 V DC)
Power rating (ohmic load) max.	48 W (for 60 V DC)
Power rating (ohmic load) max.	50 W (for 110 V DC)
Power rating (ohmic load) max.	80 W (for 220 V DC)
Power rating (ohmic load) max.	2500 VA (for 250 V AC)
Power rating (ohmic load) max. bridged	144 W (for 24 V DC. Value applies to connections 12. If connections 12 are bridged, the normal value applies.)
Power rating (ohmic load) max. bridged	1500 VA (for 250 V AC. Value applies to connections 12. If connections 12 are bridged, the normal value applies.)

**General data**

Length	80 mm
Height	94 mm
Width	14 mm
Ambient temperature (operation)	-25 °C ... 60 °C
Ambient temperature (storage/transport)	-40 °C ... 85 °C
Operating mode	100% operating factor
Service life mechanical	$3 \times 10^7$ cycles
Standard designation	Standards/regulations
Standards/regulations	DIN EN 50178/VDE 0160
Contamination class	2
Surge voltage category	III

**Connection data**

Type of connection	Spring-cage connection
Conductor cross section solid min.	0.2 mm <sup>2</sup>

## PLC-RSP- 24DC/21HC



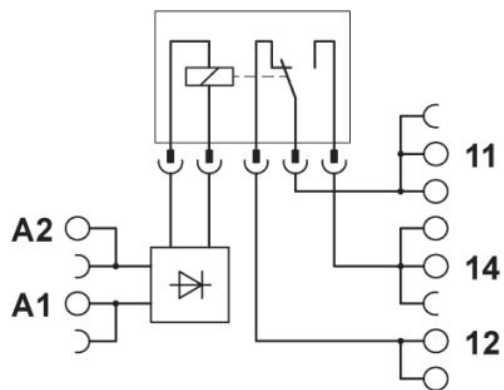
---

Conductor cross section solid max.	2.5 mm <sup>2</sup>
Conductor cross section stranded min.	0.2 mm <sup>2</sup>
Conductor cross section stranded max.	2.5 mm <sup>2</sup>
Conductor cross section AWG/kcmil min.	24
Conductor cross section AWG/kcmil max	14
Stripping length	8 mm



## ▶ Drawings

### Circuit diagram



---

## ► Address

---

PHOENIX CONTACT GmbH & Co. KG  
Flachsmarktstr. 8  
32825 Blomberg  
Germany  
Phone +49 5235 3 00  
Fax +49 5235 3 41200  
<http://www.phoenixcontact.de>  
Phoenix Contact  
Technical modifications reserved;