

## High Power

Part# PRX+	<a href="#">9100</a>	<a href="#">9200</a>	<a href="#">9300</a>	<a href="#">9125</a>	<a href="#">9225</a>	<a href="#">9325</a>	<a href="#">9150</a>	<a href="#">9250</a>	<a href="#">9350</a>
<b>CONTACT FORM</b>	FORM A	FORM B	FORM C	FORM A	FORM B	FORM C	FORM A	FORM B	FORM C
	SPST-NO	SPST-NC	SPDT	SPST-NO	SPST-NC	SPDT	SPST-NO	SPST-NC	SPDT
<b>SWITCHING RATING</b>									
<b>VOLTS DC MAX</b>	250	150	150	120	120	120	300	300	300
<b>AMPS DC MAX</b>	1.0	1.0	1.0	3.0	3.0	3.0	3.0	3.0	3.0
<b>WATTS DC MAX</b>	15	25	25	100	100	100	200	100	100
<b>VOLTAGE HOLDOFF (DC) MIN.</b>	300	300	300	300	150	150	300	300	300
<b>INITIAL RESISTANCE (OHMS)</b>	.30	.30	.30	.70	.70	.70	.70	.70	.70
<b>OPERATING TEMP RANGE (°C)</b>	+80	+80	+80	+80	+80	+80	+80	+80	+80
<b>D-MUST OPERATE (INCH)</b>	.750	.750	.750	.750	.750	.750	.500	.500	.500
<b>D-MUST RELEASE (INCH)</b>	1.500	1.500	1.500	1.500	1.500	1.500	1.500	1.500	1.500
<b>WIRE COLOR/AWG</b>	WHT/22	RED/22	RED-N. C/22 WHT-N. O/22 BLK- COM/22	WHT/22	RED/22	RED-N. C./22 WHT-N. O./22 BLK- COM/22	WHT/22	RED/22	RED-N. C/22 WHT-N. O/22 BLK- COM/22
<b>ACTUATOR PART NO.</b>	9000ACT	9000ACT	9000ACT	9000ACT	9000ACT	9000ACT	9000ACT	9000ACT	9000ACT
<b>NOTES:</b>									

Part Number **PRX+9150** Contact Form   A   Switch Configuration   SPST   Rev.   E  

### High Power Proximity Sensor

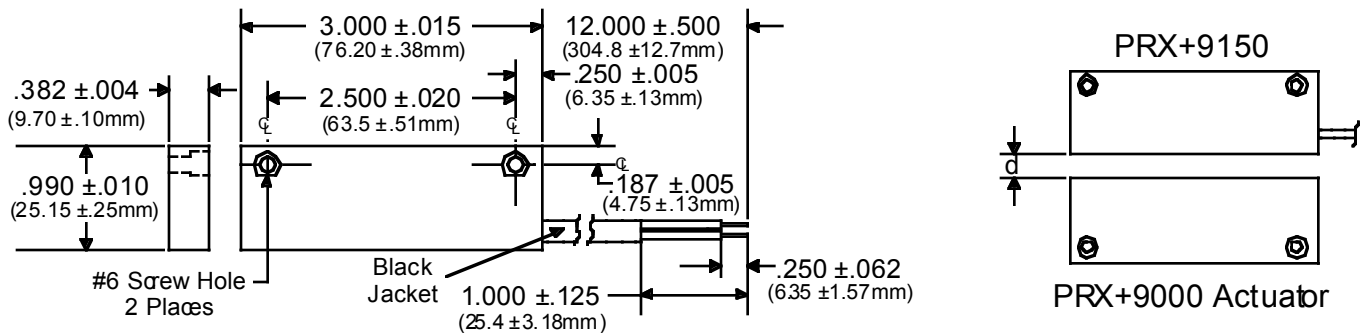
Features	Advantages
<ul style="list-style-type: none"> <li>• Hermetically sealed contacts</li> <li>• Jacketed cable</li> <li>• Tungsten contacts</li> <li>• Black ABS housing</li> </ul>	<ul style="list-style-type: none"> <li>• Extended operations in extreme environments</li> <li>• Not ESD sensitive</li> <li>• Custom sensitivity and configurations available</li> <li>• High power switching capability</li> <li>• Housing material flame rating: UL94</li> </ul>

### Electrical Specifications

Power		Watts - maximum	200
Voltage	Switching	VDC - maximum	300
	Breakdown	VDC - minimum	300
Current	Switching	Amp - maximum	3
	Carry	Amp - maximum	TBD
Resistance	Initial Contact Resistance	Ohm - maximum	0.7
	Insulation Resistance	Ohm - minimum	1 E10
Capacitance	Contact	pF - typical	0.4
Temperature	Operating	°C - maximum	+80
	Storage	°C	-40 to +105

### Physical/Operational Specifications

Housing Volume	Excluding Connection	CC - nominal	18.6
External Connection	22 AWG	UL 2464	PVC
Must Operate	Distance (d)	Inches	0.500
Must Release	Distance (d)	Inches	1.500
Operate Time	Including Bounce	mSeconds - maximum	3.00
Release Time	Including Bounce	mSeconds - maximum	1.00


**Notes:**

- (1) Specifications are not constant across entire magnetic range.
- (2) Customer must exercise care in handling and mounting to prevent damage to internal components and subsequent changes to sensor performance.
- (3) For information about performance, custom configuration (i.e. wire length or color; connectors; operational variation), or packaging contact our Sales department.
- (4) Information contained hereon is for informational purposes only and should not be deemed as accurate for a specific application. Consult factory for specific application information and/or latest revision.