

Part Number HSR-502R Contact Form C Switch Configuration SPDT Rev. G

One of the Smallest Form C Switches Made in the World

Features	Advantages
<ul style="list-style-type: none"> Hermetically sealed contacts Leaded glass currently exempted from RoHS requirements 	<ul style="list-style-type: none"> Extended operations in extreme environments Not ESD sensitive Designed for tiny relays or miniature proximity sensors

Electrical Specifications

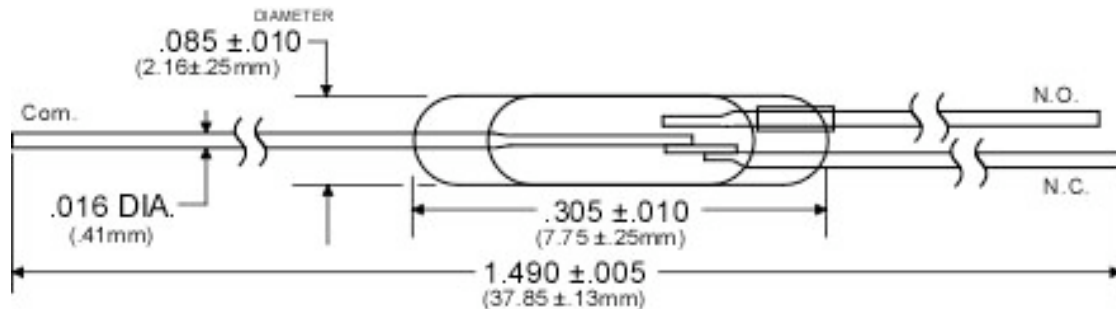
Power		Watts - maximum	2
Voltage	Switching	VDC - maximum	30
	Breakdown	VDC - minimum	175
Current	Switching	Amp - maximum	0.1
	Carry	Amp - maximum	1.2
Resistance	Initial Contact Resistance	Ohm - maximum	0.30
	Insulation Resistance	Ohm - minimum	1 E10
Capacitance	Contact	pF - typical	1.4
Temperature	Operating	°C	-40 to +125
	Storage	°C	-40 to +200

Magnetic Specifications

Pull - In Range		Ampere Turns	15-35
Test Coil		NARM RS-421-A	Coil I

Physical/Operational Specifications

Capsule Volume	Excluding Leads	CC - nominal	0.03
Contact Material			Rhodium
Operate Time	Including Bounce	mSeconds - maximum	0.30
Release Time	Including Bounce	mSeconds - maximum	0.30



- Notes:
- (1) Specifications are not constant across entire magnetic range.
 - (2) Customer must exercise care in handling, mounting, lead forming, and cutting to prevent damage to glass capsule and/or switch sensitivity.
 - (3) For information or custom configurations about performance, mounting options or packaging, contact our Sales department.
 - (4) Information contained hereon is for informational purposes only and should not be deemed as accurate for a specific application. Consult factory for specific application information and/or latest revision.