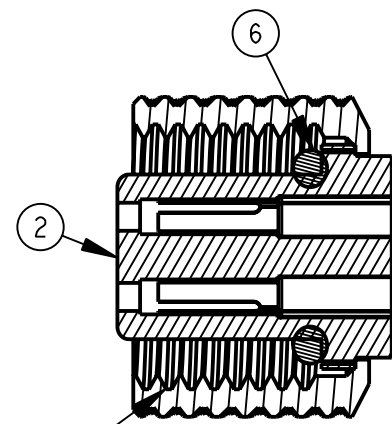
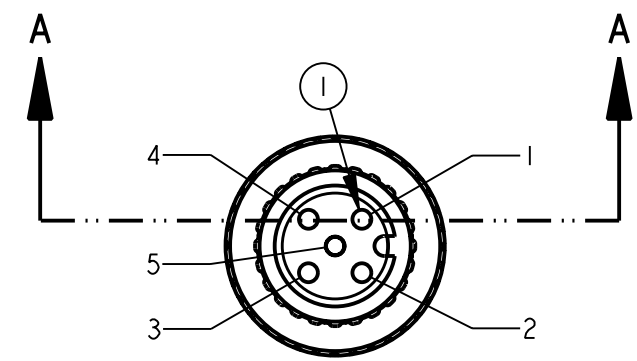


SPECIFICATIONS		F/N
CONTACT MATERIAL/PLATING	NICKEL AND GOLD PLATED BRASS	1
CONTACT CARRIER: MATERIAL/COLOR	NYLON/BLACK	2
CONNECTOR STANDARDS/SPECIFICATIONS	REFERENCE: IEC 61076-2-101	
ENVIRONMENTAL PROTECTION	MEETS: NEMA 1,3,4,6P,13 AND IEC IP67	
COUPLING NUT MATERIAL/PLATING	ELECTROLESS NICKEL PLATED BRASS	3
STRAIN RELIEF BODY: MATERIAL/COLOR	PUR/BLACK, DUROMETER SHORE A 80-90	4
CABLE INFORMATION	USE BANNER CABLE 135000 OR EQUIVALENT	5
O-RING	VITON OR BUNA-N, 7.0 I.D. X 1.77 C.S.	6
DETENT FEATURE	YES	
LABEL INFORMATION	REFERENCE DRAWING 68317	7
LABEL LOCATION	DISTANCE FROM CONNECTOR END REFERENCE "LABEL" IN TABLE 1	
CABLE COIL INNER DIAMETER	REFERENCE "COIL" IN TABLE 1	

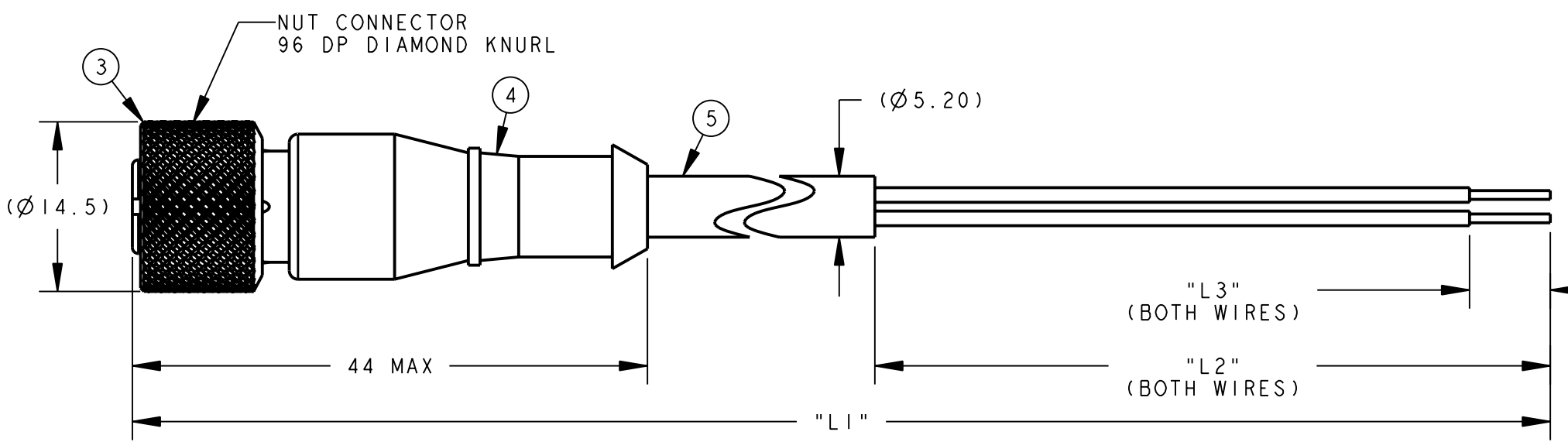
REVISION HISTORY			
REV	DESCRIPTION	DATE	APPROVED
A	ECO 5536; ADDED NOTE 1 & P/N 45135, CHANGED SPEC TABLE, CHANGED TO CURRENT STANDARDS;	11-27-96	RSH DT
B	ADDED P/N 48496;	6-16-97	RSH DT
C	ECO 6185; STANDARDIZED CORD SETS; CHANGED SPEC.'S;	7-18-97	RH R. JONES
D	ECO 16954; UPDATED TO NEW CORDSET FORMAT;	6-4-08	G. NELSON C. JONES
E	ECO 301067; FEMALE EURO INSERT WAS P/N 134571;	12-8-09	B. RUST D. LUER J. MITZEL



M12 X 1 - 6H



- 1. BROWN
- 2. BLUE
- 3. OPEN
- 4. OPEN
- 5. (UNUSED)



ALL SHEETS ARE THE SAME REVISION STATUS

DIMENSIONS ARE IN MILLIMETERS
UNLESS OTHERWISE SPECIFIED
TOLERANCE ON ANGLE: ±3°
X ±.5
.X ±.1
.XX ±.1
INTERPRET DIMENSIONS & TOLERANCES
PER ASME Y14.5M - 1994

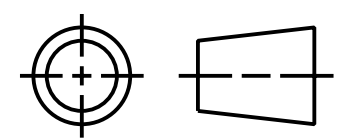
This drawing is the property
of BANNER ENGINEERING CORP.
and is proprietary in general
and in detail. Its contents
shall not be revealed to
outside parties without
written consent of BANNER.



BANNER ENGINEERING CORP.
P.O. BOX 9414
MINNEAPOLIS, MN 55440

TABLE 1						
P/N	MODEL NO.	"L1"	"L2"	"L3"	"LABEL"	"COIL"
45135	MQD9-406	2000 +50/-0	57.7 ±6.9	6.9 ±3.18	100mm	80mm
35617	MQD9-415	5000 +150/-0	57.7 ±6.9	6.9 ±3.18	100mm	80mm
48496	MQD9-430	9000 +250/-0	57.7 ±6.9	6.9 ±3.18	100mm	80mm

THIRD ANGLE PROJECTION



DRAWN BY G. NELSON	DATE 9-15-07
APPROVED BY C. JONES	DATE 6-4-08
APPROVED BY	DATE

TITLE
**CDS EU 4 F ST XX NAMUR
CABLE OUTER DIAMETER 5.20MM**

SIZE B	DRAWING NO. 45135	REV. E
SCALE 2:1		SHEET 1 OF 1

PRO/E