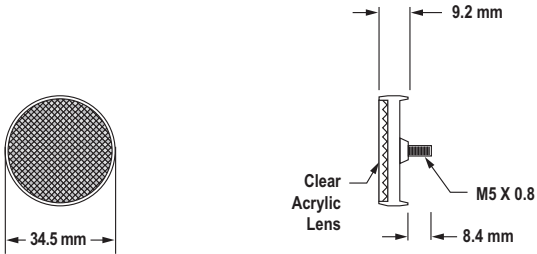


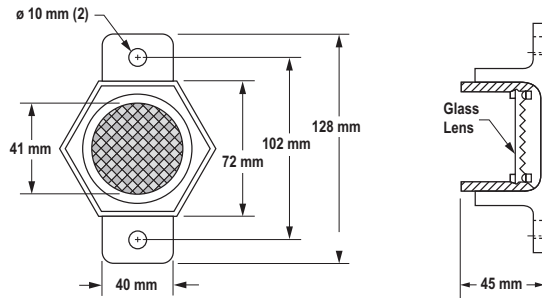
BRT-35DM

Description: Round, acrylic target with mounting stud
 Reflectivity Factor: 1.2
 Max. Temperature: 50° C
 Other: This target has micro-prism geometry.



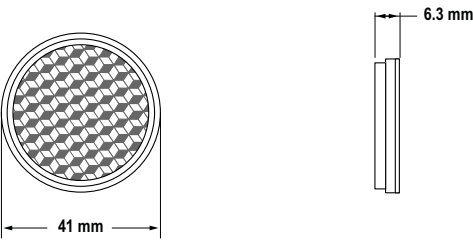
BRT-41AHT

Description: Round, borosilicate (Pyrex type) glass target
 Reflectivity Factor: 1.0
 Max. Temperature: 200° C



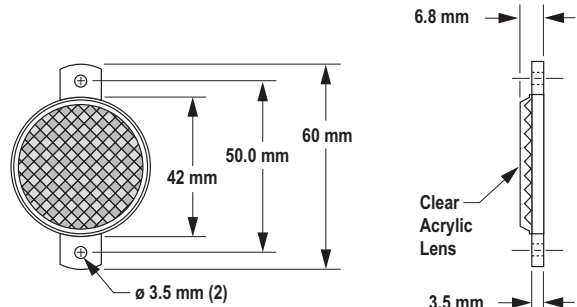
BRT-42

Description: Round, acrylic target
 Reflectivity Factor: 1.0
 Max. Temperature: 65° C



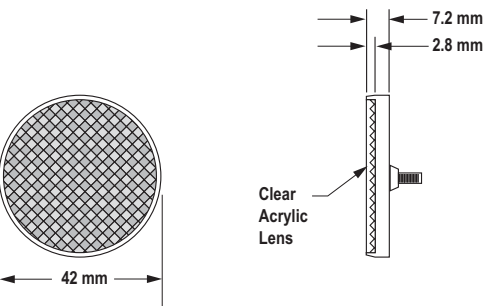
BRT-42A

Description: Round, acrylic target
 Reflectivity Factor: 1.0
 Max. Temperature: 50° C



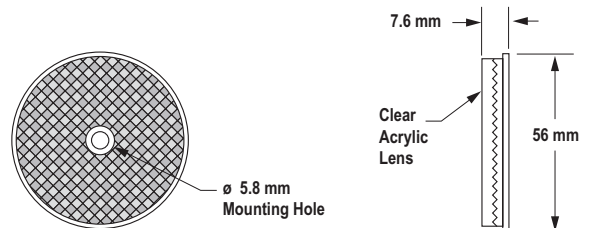
BRT-42D

Description: Round, acrylic target with mounting stud
 Reflectivity Factor: 1.0
 Max. Temperature: 50° C



BRT-2A

Description: Round, acrylic target
 Reflectivity Factor: 1.0
 Max. Temperature: 65° C



BRACKETS

CABLES

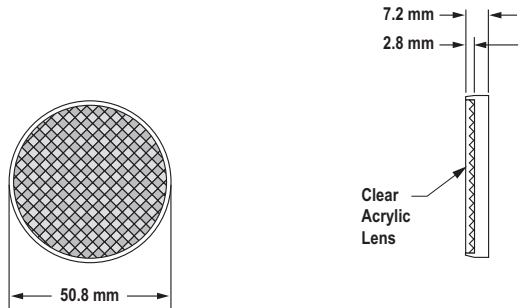
RETROREFLECTORS

ENCLOSURES/
LENS SHIELDS

MISCELLANEOUS

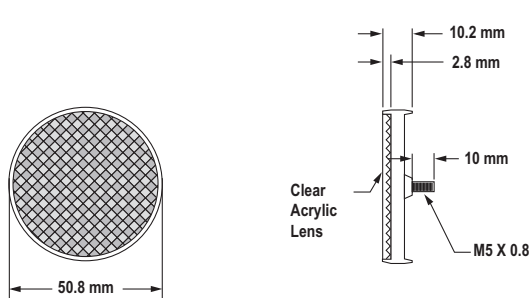
BRT-50

Description: Round, acrylic target
 Reflectivity Factor: 1.0
 Max. Temperature: 65° C



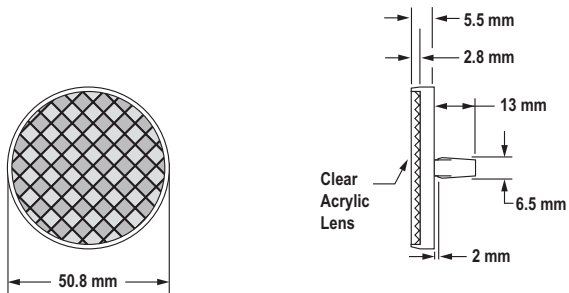
BRT-50D

Description: Round, acrylic target with mounting stud
 Reflectivity Factor: 1.0
 Max. Temperature: 65° C
 Other: Optional brackets are available. See page 376.



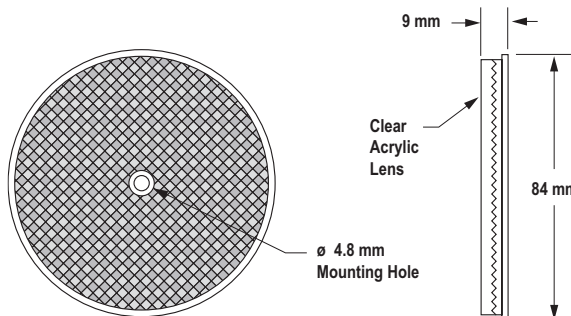
BRT-50R

Description: Round, rivet-secured acrylic target
 Reflectivity Factor: 1.0
 Max. Temperature: 50° C
 Other: Optional brackets are available. See page 376.



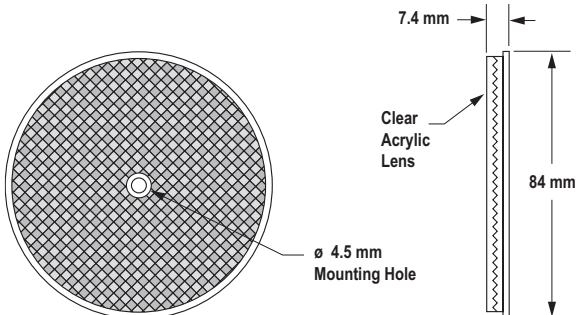
BRT-3

Description: Round, acrylic target
 Reflectivity Factor: 1.0
 Max. Temperature: 65° C
 Other: Optional brackets are available. See page 376.



BRT-84

Description: Round, acrylic target
 Reflectivity Factor: 1.4
 Max. Temperature: 65° C
 Other: Optional brackets are available. See page 376.



- BRACKETS
- CABLES
- RETROREFLECTORS
- ENCLOSURES/
LENS SHIELDS
- MISCELLANEOUS