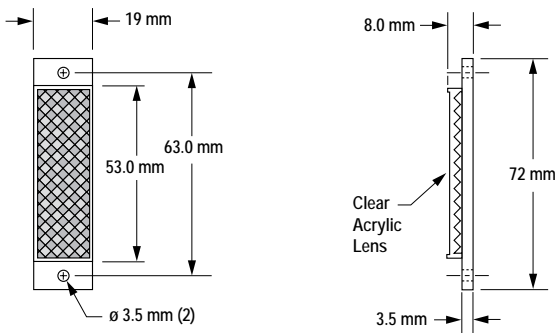


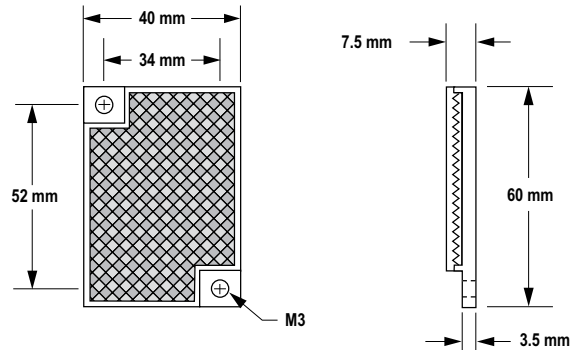
### BRT-53X19A

Description: Rectangular, acrylic target  
 Reflectivity Factor: 1.4  
 Max. Temperature: -20° to +60° C



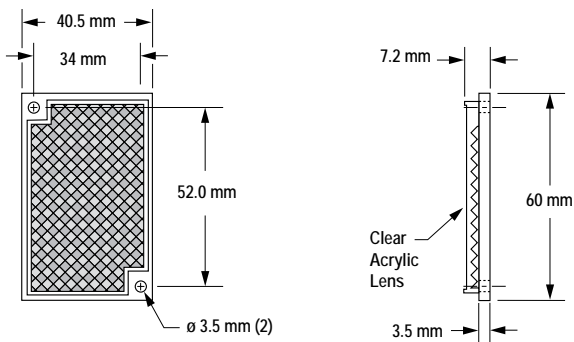
### BRT-60X40AF

Description: Rectangular, acrylic target  
 Reflectivity Factor: 1.4 Max. Temperature: -20° to +60° C  
 Other: Anti-fogging coating for use around steam. Optional brackets are available. See page 620.



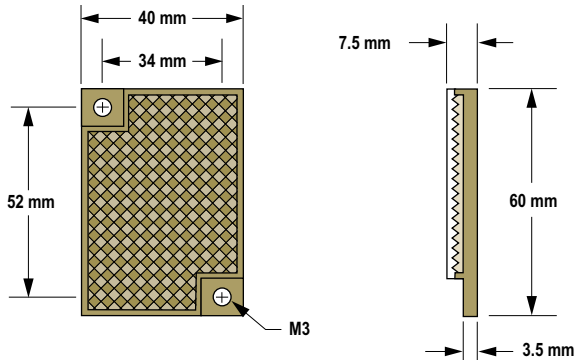
### BRT-60X40C

Description: Rectangular, acrylic target  
 Reflectivity Factor: 1.4 Max. Temperature: -20° to +60° C  
 Other: Optional brackets are available. See page 620.



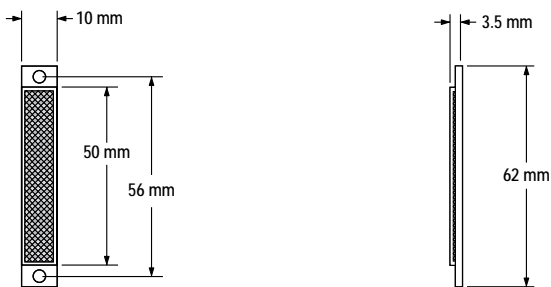
### BRT-60X40IP69K

Description: Rectangular, acrylic target (color is amber)  
 Reflectivity Factor: 1.4 Max. Temperature: -20° to 140° C  
 Other: Chemically resistant and IP69K washdown rated. Optional brackets are available. See page 620.



### BRT-62X10AM

Description: Rectangular, thin profile acrylic target  
 Reflectivity Factor: 1.2  
 Max. Temperature: -20° to +60° C  
 Other: This target has micro-prism geometry.



### BRT-80X50C

Description: Rectangular, acrylic target  
 Reflectivity Factor: 1.4  
 Temperature: -20° to +60° C

