














Banner Bracket Selection Chart

Sensor	Used With						
WORLD-BEAM® Q12 page 46 	SMBQ12A page 393	SMBQ12T page 394					
T8 page 49 	SMB8MM page 383						
MINI-BEAM®2 page 52 	SMBQS12PD page 396	SMBQ12S page 396					
M12 page 55 	SMBQS12PD page 396						
VS1 page 58 	SMBVS1S page 400	SMBVS1SC page 400	SMBVS1T page 401	SMBVS1TC page 401			
VS2 page 61 	SMBVS2RA page 401						
VS3 page 64 	SMBVS3S page 401	SMBVS3T page 402					
VS4 page 67 	SMBVS4SRA page 402						
WORLD-BEAM® QS18 page 70 	SMB18A page 377	SMB18FA page 377	SMB18FM page 377	SMB18Q page 377	SMB18SF page 378	SMB18UR page 378	SMB3018SC page 378
	SMB30SK page 380	SMB30SUS page 380	SMB312PD page 381	SMB312S page 380	SMB4050YL page 381	SMB46A page 381	SMB46L page 382
	SMB46S page 382	SMB46U page 382	SMBAMS18P page 384	SMBAMS18RA page 384	SMBQS18A page 397	SMBQS18AF page 397	SMBQS18DIN page 397
	SMBQS18RA page 397	SMBQS18Y page 398	SMBQS18YL page 398	SMH241F page 402			
MINI-BEAM® page 79 	SMB18A page 377	SMB18FA page 377	SMB18Q page 377	SMB18SF page 378	SMB18UR page 378	SMB3018SC page 378	SMB30SK page 380
	SMB30SUS page 380	SMB312B page 380	SMB312PD page 381	SMB312S page 380	SMB46L page 382	SMB46S page 382	SMB46U page 382
	SMBAMS18P page 384	SMBAMS18RA page 384	SMH241F page 402				
WORLD-BEAM® Q20 page 92 	SMBQ20 page 394	SMBQ20L page 395	SMBQ20LV page 395	SMBQ20U page 395			
S18 page 95 	SMB18A page 377	SMB18FA page 377	SMB18FM page 377	SMB18Q page 377	SMB18SF page 378	SMB18UR page 378	SMB3018SC page 378
	SMB30SK page 380	SMB312PD page 381	SMB46A page 381	SMBAMS18P page 384	SMBAMS18RA page 384		
M18 page 95 	SMB18A page 377	SMB18FA page 377	SMB18FM page 377	SMB18Q page 377	SMB18SF page 378	SMB18UR page 378	SMB3018SC page 378
	SMB30SK page 380	SMB312PD page 381	SMB30SK page 380	SMB312PD page 381	SMBAMS18P page 384	SMBAMS18RA page 384	

BRACKETS

CABLES

RETROREFLECTORS

ENCLOSURES/
LENS SHIELDS

MISCELLANEOUS

Banner Bracket Selection Chart

Sensor		Used With						
T18 page 101		SMB1815SF page 376	SMB18A page 377	SMB18FA page 377	SMB18FM page 377	SMB18Q page 377	SMB18SF page 378	SMB18UR page 378
		SMB3018SC page 378	SMB30SK page 380	SMB312PD page 381	SMBAMS18P page 384	SMBAMS18RA page 384	SMBT18Y page 400	
Q25 page 106		SMB18A page 377	SMB18FA page 377	SMB18Q page 377	SMB18SF page 378	SMB18UR page 378	SMB3018SC page 378	SMB30SK page 380
		SMB312PD page 381						
WORLD-BEAM® QS30 page 112		SMB30A page 378	SMB30FA page 379	SMB30MM page 379	SMB30Q page 379	SMB30SC page 382	SMB46L page 382	SMB46S page 382
		SMBAMS30P page 384	SMBAMSRAB page 387	SMBQS30L page 398	SMBQS30LT page 398	SMBQS30Y page 399	SMBQS30YL page 399	
S30 page 121		SMB30A page 378	SMB30FA page 379	SMB30MM page 379	SMB30Q page 379	SMB30SC page 379	SMBAMS30P page 384	SMBAMS30RA page 385
SM30/SMI30 page 125		SMB30A page 378	SMB30FA page 379	SMB30MM page 379	SMB30Q page 379	SMB30SC page 379	SMBAMS30P page 384	SMBAMS30RA page 385
T30 page 129		SMB1815SF page 376	SMB30SC page 379	SMB30A page 378	SMB30FA page 379	SMB30MM page 379	SMB30Q page 379	
		SMBAMS30P page 384	SMBAMS30RA page 385					
Q40 page 133		SMB30A page 378	SMB30FA page 379	SMB30MM page 379	SMB30Q page 379	SMB30SC page 379	SMBAMS30P page 384	SMBAMS30RA page 385
PicoDot® page 137		SMB46A page 381	SMB46L page 382	SMB46S page 382	SMB46U page 382			
QM42/QMT42 page 140		SMB3018SC page 378	SMB30SK page 380	SMB30SUS page 380	SMB312S page 381	SMB42T page 381	SMB46L page 382	SMB46S page 382
		SMB46U page 382	SMH241F page 402					
Q45 page 146		SMB30A page 378	SMB30FA page 379	SMB30MM page 379	SMB30Q page 379	SMB30SC page 379	SMB30UR page 380	SMBAMS30P page 384
		SAMBAMS30RA page 385						
OMNI-BEAM™ page 159		SMB30A page 378	SMB30FA page 379	SMB30MM page 379	SMB30Q page 379	SMB30SC page 379	SMB30UR page 380	SMBAMS30P page 384
		SAMBAMS30RA page 385						
Q60 page 165		SMBAMSQ60IP page 386	SMBAMSQ60P page 387	SMBQ60 page 396				
D10 page 172		DIN-35-... page 375	SMBR55F01 page 399	SMBR55FRA page 399				

 More on next page

Banner Bracket Selection Chart (cont'd)

Sensor		Used With						
D12 page 178		DIN-35-... page 375	SMBR55F01 page 379	SMBR55FRA page 399				
R55F page 183		DIN-35-... page 375	SMBR55F01 page 399	SMBR55FRA page 399				
FI22 page 186		N/A						
LX page 212		SMBLX page 390	SMBLXR page 391					
SLM page 216		N/A						
SL10/SL30 page 219		SMBSL page 400						
C-GAGE® SLC1 page 222		N/A						
R58E page 225		SMB55A page 382	SMB55F page 383	SMB55RA page 383	SMB55S page 383			
QC50/QCX50 page 228		SMBQC50 page 396						
QL50/QL55 page 230		SMB55A page 382	SMB55F page 383	SMB55RA page 383	SMB55S page 383			
OTB/LTB/STB page 234		SMB30A page 378	SMB30FA page 379	SMB30MM page 379	SMB30Q page 379	SMB30SC page 379	SMBAMS30P page 384	SMBAMS30RA page 385
L-GAGE® LT3 page 244		SMBAMSLT3IP page 386	SMBAMSLT3P page 386	SMBLT31 page 389	SMBLT32 page 389	SMBLT31P page 390		
L-GAGE® LT7 page 248		SMBLT7 page 390	SMBLT7F page 390					
L-GAGE® LG5/LG10 page 252		SMBLG page 389	SMBLGA page 389					
L-GAGE® Q50 page 256		SMBQ50 page 395						
U-GAGE® QT50U page 262		SMB30A page 378	SMB30FA page 379	SMB30MM page 379	SMB30SC page 379	SMBAMS30P page 384	SMBAMS30RA page 385	

BRACKETS













CABLES

RETROREFLECTORS

ENCLOSURES/
LENS SHIELDS









MISCELLANEOUS

Banner Bracket Selection Chart

Sensor	Used With						
U-GAGE® S18U page 266 	SMB18A page 377	SMB18FA page 377	SMB18FM page 377	SMB18Q page 377	SMB18SF page 378	SMB18UR page 378	SMB3018SC page 378
	SMB30SK page 380	SMB312PD page 381	SMBAMS18P page 384	SMBAMS18RA page 384			
QS18U page 269 	SMB18A page 377	SMB18FA page 377	SMB18FM page 377	SMB18Q page 377	SMB18SF page 378	SMB18UR page 378	SMB3018SC page 378
	SMB30SK page 380	SMB30SUS page 380	SMB312PD page 381	SMB312S page 381	SMB46A page 381	SMB46L page 382	SMB46S page 382
	SMB46U page 382	SMBAMS18P page 384	SMBAMS18RA page 384	SMBQS18A page 397	SMBQS18RA page 397	SMBQS18Y page 398	SMH241F page 402
U-GAGE® T30U page 272 	SMB1815SF page 376	SMB30A page 378	SMB30FA page 379	SMBAMS30P page 384	SMBAMS30RA page 385		
U-GAGE® Q45U page 276 	SMB30A page 378	SMB30FA page 379	SMB30MM page 379	SMB30Q page 379	SMB30SC page 379	SMB30UR page 380	SMBAMS30P page 384
	SMBAMS30RA page 385						
U-GAGE® Q45UR page 280 	SMB18A page 377	SMB18FA page 377	SMB18Q page 377	SMB18SF page 378	SMB18UR page 378	SMB3018SC page 378	SMB30A page 378
	SMB30FA page 379	SMB30MM page 379	SMB30Q page 379	SMB30SC page 379	SMB30SK page 380	SMB30UR page 380	SMB312PD page 381
	SMBAMS18P page 384	SMBAMS18RA page 384	SMBAMS30P page 384	SMBAMS30RA page 385			
U-GAGE® T18U page 284 	SMB1815SF page 376	SMB18A page 377	SMB18FA page 377	SMB18Q page 377	SMB18SF page 378	SMB18UR page 378	SMB3018SC page 378
	SMB30SK page 380	SMB312PD page 381	SMBAMS18P page 384	SMBAMS18RA page 384	SMBT18Y page 400		
A-GAGE® EZ-ARRAY™ page 288 	EZA-MBK-20 page 375						
A-GAGE® MINI-ARRAY® page 291 	DIN-35-.. page 375	MSMB-3 page 375					
T-GAGE® M18T page 303 	SMB18A page 377	SMB18FA page 377	SMB18FM page 377	SMB18SF page 378	SMB18UR page 378	SMB30SK page 380	SMB312PD page 381
	SMB46A page 381	SMBAMS18P page 384	SMBAMS18RA page 384				
R-GAGE™ QT50R page 306 	SMB30A page 378	SMB30FA page 379	SMB30MM page 379	SMB30SC page 379	SMBAMS30P page 384	SMBAMS30RA page 385	
EZ-LIGHT™ K50 page 346 	SA-K50A18 page 376	SMB30A page 378	SMB30FA page 379	SMB30MM page 379	SMB30Q page 379	SMB30SC page 379	SMBAMS30P page 384
	SMBAMS30PL52 page 384	SMBAMS30PL52R page 385	SMBAMS30RA page 385	SMBAMS30RLJ page 385	SMBAMS30RLS page 385		
EZ-LIGHT™ K80 page 346 	SMBDX80DIN page 387						

 More on next page

Banner Bracket Selection Chart (cont'd)

Sensor	Used With						
EZ-LIGHT™ VTB page 358 	SMB30A page 378	SMB30FA page 379	SMB30MM page 379	SMB30Q page 379	SMB30SC page 379	SMBAMS30P page 384	SMBAMS30PL52 page 384
	SMBAMS30PL52R page 385	SMBAMS30RA page 385	SMBAMS30RLJ page 385	SMBAMS30RLS page 385			
EZ-LIGHT™ PVA page 354 	SMBPVA1 page 391	SMBPVA2 page 391	SMBPVA.. page 392	SMBPVA..A page 392	SMBPVA..AB page 392	SMBPVA..C page 392	SMBPVA6 page 392
	SMBPVA7 page 393	SMBPVA8 page 393	SMBPVA9 page 393				
EZ-LIGHT™ PVD page 351 	SMBPVA1 page 391	SMBPVA11 page 391	SMBPVA2 page 391	SMBPVA..C page 392	SMBPVA6 page 392	SMBPVA7 page 393	SMBPVA8 page 393
	SMBPVA9 page 393	SMBPVD..A page 394	SMBPVD..AB page 394				
EZ-LIGHT™ T8L page 361 	SMB8MM page 383						
EZ-LIGHT™ T18/M18 page 361 	SMB1815SF page 376	SMB18A page 377	SMB18FA page 377	SMB18Q page 377	SMB18SF page 378	SMB18UR page 378	SMB3018SC page 378
	SMB30SK page 380	SMB312PD page 381	SMBAMS18P page 384	SMBAMS18RA page 384	SMBT18Y page 400		
EZ-LIGHT™ T30/K50L page 361 	SMB1815SF page 376	SMB30A page 378	SMB30FA page 379	SMB30MM page 329	SMB30Q page 379	SMB30SC page 379	SMBAMS30P page 384
	SMBAMS30PL52R page 385	SMBAMS30PL52 page 384	SMBAMS30RA page 385	SMBAMS30RLJ page 385	SMBAMS30RLS page 385		
EZ-LIGHT™ K80L page 361 	SMBDX80DIN page 387						
SureCross™ DX80/DX85/DX70 page 335 	SMBDX80DIN page 387						

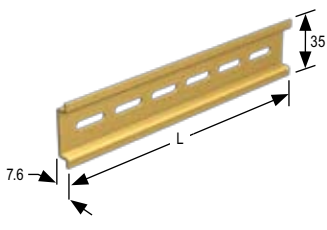
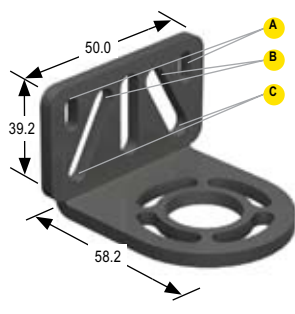
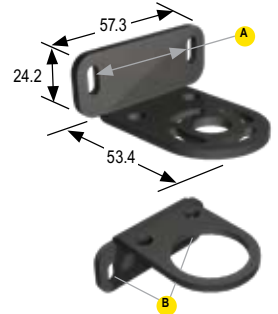
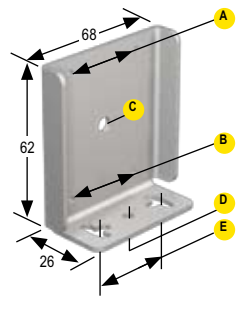







BRACKETS

CABLES

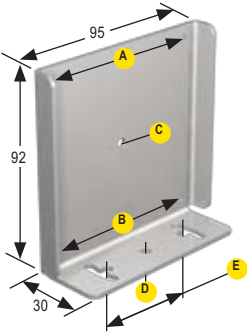
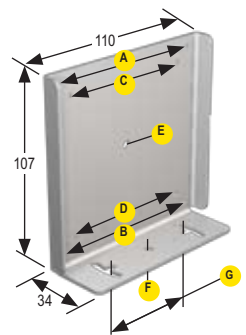
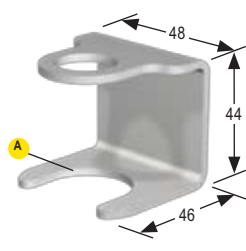
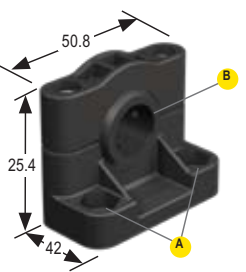






RETROREFLECTORS

ENCLOSURES/
LENS SHIELDS

MISCELLANEOUS

DIN-35..		EZA-MBK-20	MSMB-3	RMB50							
											
All measurements in mm		All measurements in mm	All measurements in mm	All measurements in mm							
<table border="1"> <thead> <tr> <th>Model</th> <th>Length (L)</th> </tr> </thead> <tbody> <tr> <td>DIN-35-70</td> <td>70</td> </tr> <tr> <td>DIN-35-105</td> <td>105</td> </tr> <tr> <td>DIN-35-140</td> <td>140</td> </tr> </tbody> </table>	Model	Length (L)	DIN-35-70	70	DIN-35-105	105	DIN-35-140	140	<p>Hole center spacing: A = 44.4, B = 20.0, C = 40.0 Hole size: A = 10.2 x 5.4, B = 27.6 x 7.0, C = 25.0 x 7.0</p>	<p>Hole center spacing: A, B = 44.5 Hole size: A, B = 10.2 x 4.8</p>	<p>Hole center spacing: A, B = 34.0, A to B = 52.0, E = 26.0 Hole size: A, B = \varnothing 0.5, C = \varnothing 6.3, D = \varnothing 4.5, E = 13.8 X 4.5</p>
Model	Length (L)										
DIN-35-70	70										
DIN-35-105	105										
DIN-35-140	140										
<p>Hole center spacing: 35.1 Hole size: 25.4 x 5.3</p> <p>• Available in 70, 105 & 140 mm lengths</p>		<ul style="list-style-type: none"> • Two-bracket kit for one emitter or receiver • Adapter brackets for mounting to engineered/slotted aluminum framing such as 80/20™ and Unistrut™ 	<ul style="list-style-type: none"> • Two-bracket replacement kit for the emitter or receiver • 11-ga. cold-rolled steel with black corrosion-resistant zinc chromate finish 	<ul style="list-style-type: none"> • Protective mounting bracket for retroreflective targets • 14-ga. 316 stainless steel • Stainless steel M3 x 0.5 hardware included 							
Sensors		Sensors	Sensors	Round Targets							
 <p>Used with</p>		 <p>Used with</p>	 <p>Used with</p>	 <p>Used with</p>							
D10 D12 R55F		EZ-ARRAY	High-Resolution MINI-ARRAY MINI-ARRAY	BRT-50D BRT-50R							
Controllers				Square Targets							
 <p>Used with</p>				 <p>Used with</p>							
MINI-ARRAY High-Resolution MINI-ARRAY				BRT-2X2							
				Rectangular Targets							
				 <p>Used with</p>							
				BRT-60X40C							

BRACKETS
CABLES
RETROREFLECTORS
ENCLOSURES/
LENS SHIELDS
MISCELLANEOUS

RMB85	RMB100	SA-K50A18	SMB1815SF	
 <p>All measurements in mm</p>	 <p>All measurements in mm</p>	 <p>All measurements in mm</p>	 <p>All measurements in mm</p>	
<p>Hole center spacing: A, B, A to B = 77.0, E = 46.0 Hole size: A, B = ∅ 0.5, C = ∅ 4.8, D = ∅ 4.5, E = 19.0 x 4.5</p>	<p>Hole center spacing: A, B, A to B = 92.0, C, D, C to D = 77.0, G = 56.0 Hole size: A, B, C, D = ∅ 0.5, E = ∅ 4.8, F = ∅ 4.5, G = 21.5 x 4.5</p>	<p>Hole size: A = ∅ 30.5</p>	<p>Hole center spacing: A = 36.0 Hole size: A = ∅ 5.0, B = ∅ 15.0</p>	
<ul style="list-style-type: none"> • Protective mounting bracket for retroreflective targets • 14-ga. 316 stainless steel • Stainless steel M3 x 0.5 hardware included 	<ul style="list-style-type: none"> • Protective mounting bracket for retroreflective targets • 14-ga. 316 stainless steel • Stainless steel M3 x 0.5 hardware included 	<ul style="list-style-type: none"> • Protective mounting bracket for EZ-LIGHT™ K50 sensors • 12-ga cold-rolled steel 	<ul style="list-style-type: none"> • Swivel with set screws for mounting sensors by the cable hub • Black reinforced thermoplastic polyester • Stainless steel swivel locking hardware and hex wrench included 	
<p>Round Targets</p>	<p>Round Targets</p>	<p>Base Mount</p>	<p>Base Mount</p>	
 <p>Used with</p>	 <p>Used with</p>	 <p>Used with</p>	 <p>Used with</p>	
<p>BRT-3</p>	<p>BRT-3 BRT-84</p>	<p>K50</p>	<p>T18 T18U T30</p>	<p>T30U EZ-LIGHT T18 EZ-LIGHT T30</p>
<p>Square Targets</p>	<p>Square Targets</p>			
 <p>Used with</p>	 <p>Used with</p>			
<p>BRT-77X77C</p>	<p>BRT-77X77C BRT-92X92C BRT-92X92CB</p>			

BRACKETS

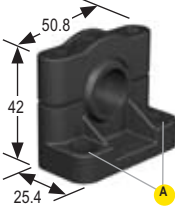
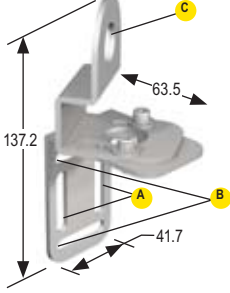
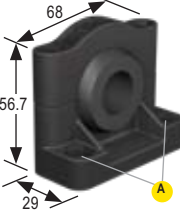
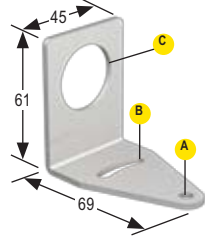









CABLES

RETROREFLECTORS

ENCLOSURES/
LENS SHIELDS

MISCELLANEOUS

SMB18A		SMB18FA		SMB18FM		SMB18Q	
All measurements in mm		All measurements in mm		All measurements in mm		All measurements in mm	
Hole center spacing: A to B = 24.2 Hole size: A = \varnothing 4.6, B = 17.0 x 4.6, C = \varnothing 18.5		A = 3/8 - 16 x 50.8 Hole size: B = \varnothing 18.1		N/A		Hole center spacing: A to B = 24.2 Hole size: A = \varnothing 4.6, B = 17.0 x 4.6, C = \varnothing 19.0	
<ul style="list-style-type: none"> Right-angle mounting bracket with a curved slot for versatile orientation 12-ga. stainless steel, 18 mm sensor mounting hole Clearance for M4 (#8) hardware 		<ul style="list-style-type: none"> Swivel bracket with tilt and pan movement for precision adjustment 18 mm sensor mounting hole 12-ga. 304 stainless steel 		<ul style="list-style-type: none"> Two-piece thermoplastic through-mount bracket Mounting nut (M22 x 1.5) and outer flange (M22 x 1.5 external, M18 x 1 internal) 		<ul style="list-style-type: none"> Right-angle flanged bracket 18 mm sensor mounting hole 12-ga. stainless steel 	
Barrel Mount		Barrel Mount		Barrel Mount		Barrel Mount	
<p>Used with</p>		<p>Used with</p>		<p>Used with</p>		<p>Used with</p>	
QS18 MINI-BEAM M18 S18 T18 T-GAGE M18T S18U	QS18U Q45UR M18C2 Q45UR S18C2 T18U EZ-LIGHT T18 EZ-LIGHT M18	QS18 MINI-BEAM S18/M18/T18 S18U QS18U Q45UR M18C2	Q45UR S18C2 T18U T-GAGE M18T EZ-LIGHT M18 EZ-LIGHT T18	QS18 M18 S18 T18	T-GAGE M18T S18U QS18U	QS18 MINI-BEAM S18 M18 T18 S18U	QS18U Q45UR S18C2 Q45UR M18C2 T18U EZ-LIGHT T18 EZ-LIGHT M18
Base Mount		Bracket-to-Bracket				Base Mount	
<p>Used with</p>		<p>Used with</p>				<p>Used with</p>	
Q25		SMBQS18A	SMBQS18Y			Q25	
		Base Mount					
		<p>Used with</p>					
		Q25					

SMB18SF		SMB18UR		SMB3018SC		SMB30A	
							
All measurements in mm		All measurements in mm		All measurements in mm		All measurements in mm	
Hole center spacing: A = 36.0 Hole size: A = \varnothing 5.3		Hole center spacing: A = 25.4, B = 46.7 Hole size: A, B = 6.9 x 32.0, C = \varnothing 18.3		Hole center spacing: A = 50.8 Hole size: A = \varnothing 7.0		Hole center spacing: A to B = 40.0 Hole size: A = \varnothing 6.3, B = 27.3 x 6.3, A = \varnothing 30.5	
<ul style="list-style-type: none"> • 18 mm swivel bracket with M18 x 1 internal thread • Black thermoplastic polyester • Stainless steel swivel locking hardware included 		<ul style="list-style-type: none"> • 2-piece universal swivel bracket • 300 series stainless steel • Stainless steel swivel locking hardware included • Mounting hole for 18 mm sensor 		<ul style="list-style-type: none"> • 18 mm swivel side or barre mount bracket • Black reinforced thermoplastic polyester • Stainless steel swivel locking hardware included 		<ul style="list-style-type: none"> • Right-angle bracket with curved slot for versatile orientation • Clearance for M6 (1/4") hardware • Mounting hole for 30 mm sensor • 12-ga. stainless steel 	
Barrel Mount		Barrel Mount		Barrel Mount		Barrel Mount	
							
Used with		Used with		Used with		Used with	
QS18 MINI-BEAM S18 M18 T18 T-GAGE M18T S18U	QS18U Q45UR S18C2 Q45UR M18C2 T18U EZ-LIGHT T18 EZ-LIGHT M18	QS18* MINI-BEAM S18 M18 T18 T-GAGE M18T S18U	QS18U* Q45UR S18C2 Q45UR M18C2 T18U EZ-LIGHT T18 EZ-LIGHT M18	M18/S18/T18 S18U Q45UR S18C2	Q45UR M18C2 T18U EZ-LIGHT T18	QS30 SM30/SMI30 S30	T30 T30U EZ-LIGHT T30
Base Mount		Base Mount		Side Mount		Base Mount	
							
Used with		Used with		Used with		Used with	
Q25		Q25		QS18 MINI-BEAM	QM42/QMT42 QS18U	Q40 Q45 OMNI-BEAM OTB/LTB VTB STB Q45U	Q45UR QT50R QT50U K50 EZ-LIGHT K50L
		* Contact factory to verify compatibility with integral QD models.					
				Used with			
				Q25			

BRACKETS

CABLES

RETROREFLECTORS

ENCLOSURES/
LENS SHIELDS

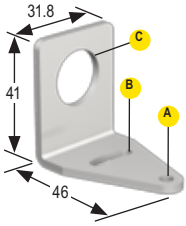
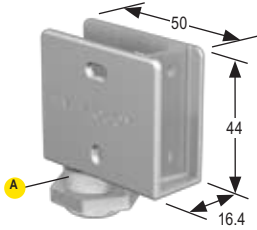
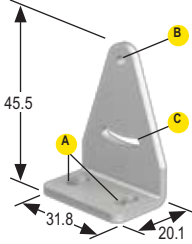
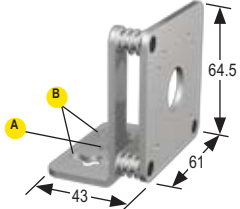
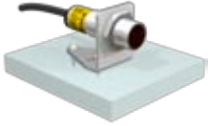
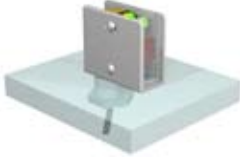




MISCELLANEOUS

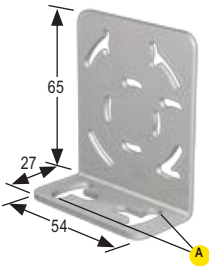
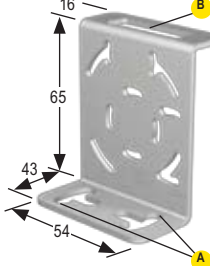
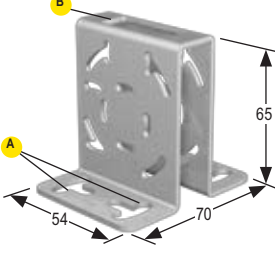
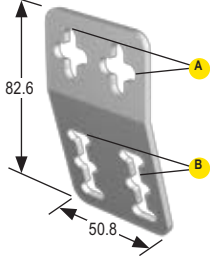




SMB30FA		SMB30MM		SMB30Q		SMB30SC	
All measurements in mm		All measurements in mm		All measurements in mm		All measurements in mm	
<p>A = 3/8 -16 x 50.8 Hole size: B = \varnothing 30.1</p>		<p>Hole center spacing: A = 51.0, A to B = 25.4 Hole size: A = 42.6 x 7.0, B = \varnothing 6.4, B = \varnothing 30.1</p>		<p>Hole center spacing: A to B = 40.0 Hole size: A = \varnothing 6.3, B = 13.1 x 6.3, A = \varnothing 30.1</p>		<p>Hole center spacing: A to B = 50.8 Hole size: A = \varnothing 7.0</p>	
<ul style="list-style-type: none"> Swivel bracket with tilt and pan movement for precision adjustment Mounting hole for 30 mm sensor 12-ga. 304 stainless steel 		<ul style="list-style-type: none"> 12-ga. stainless steel bracket with curved mounting slots for versatility and orientation Clearance for M6 (1/4") hardware Mounting hole for 30 mm sensor 		<ul style="list-style-type: none"> Right-angle flanged mounting bracket with curved slot for versatile orientation 12-ga. stainless steel Mounting hole for 30 mm sensor 		<ul style="list-style-type: none"> Swivel bracket with 30 mm mounting hole for sensor Black reinforced thermoplastic polyester Stainless steel mounting and swivel locking hardware included 	
Barrel Mount		Barrel Mount		Barrel Mount		Barrel Mount	
Used with		Used with		Used with		Used with	
QS30 SM30/SMI30 S30	T30 T30U EZ-LIGHT T30	QS30 S30 SM30/SMI30	EZ-LIGHT T30 T30	QS30 SM30/SMI30 S30	T30 EZ-LIGHT T30	QS30 SM30/SMI30 S30	T30 EZ-LIGHT T30
Base Mount		Base Mount		Base Mount		Base Mount	
Used with		Used with		Used with		Used with	
Q40 Q45 Q45U Q45UR QT50U OMNI-BEAM	OTB/LTB VTB STB K50 QT50R EZ-LIGHT K50L	Q40 Q45 OMNI-BEAM OTB/LTB VTB STB	QT50U Q45U Q45UR QT50R K50 EZ-LIGHT K50L	Q40 Q45 OMNI-BEAM OTB/LTB VTB STB	Q45U Q45UR K50 EZ-LIGHT K50L	Q40 Q45 OMNI-BEAM OTB/LTB VTB STB	QT50U Q45U Q45UR QT50R K50 EZ-LIGHT K50L

BRACKETS
 CABLES
 RETROREFLECTORS
 ENCLOSURES/
 LENS SHIELDS
 MISCELLANEOUS

SMB30SK		SMB30SUS		SMB30UR		SMB312B	
All measurements in mm		All measurements in mm		All measurements in mm		All measurements in mm	
Hole center spacing: A = 50.8 Hole size: A = \varnothing 7.0, B = \varnothing 18.0		Hole center spacing: A to B = 50.8 Hole size: A = \varnothing 7.0		Hole center spacing: A to B = 31.8, B to C = 19.0, A to C = 50.8, D = 50.8 Hole size: A, B, C = 6.9 x 32.0, D = 73 x 6.9		Hole center spacing: A to B = 17.3, B to C = 17.7, A to C = 35.0 Hole size: A = \varnothing 6.9, B = 4.3 x 10.5, C = 3.1 x 15.2	
<ul style="list-style-type: none"> • Flat-mount swivel bracket with extended range of motion • Black reinforced thermoplastic polyester and 316 stainless steel • Stainless steel swivel locking hardware included 		<ul style="list-style-type: none"> • Side-mount swivel bracket with extended range of motion • Black reinforced thermoplastic polyester • Stainless steel swivel locking hardware included 		<ul style="list-style-type: none"> • 2-piece universal swivel bracket for limit-switch style sensors • 300 series stainless steel • Stainless steel swivel locking hardware included 		<ul style="list-style-type: none"> • Right-angle • Stainless steel base mounting bracket • Includes mounting foot 	
Barrel Mount		Side Mount		Side Mount		Base Mount	
Used with		Used with		Used with		Used with	
QS18 MINI-BEAM S18/M18/T18 T18U S18U QS18U	Q45UR S18C2 Q45UR M18C2 EZ-LIGHT T18 EZ-LIGHT M18 T-GAGE M18T	QS18 MINI-BEAM QM42/QMT42 QS18U		Q45 OMNI-BEAM Q45U Q45UR		MINI-BEAM	
Base Mount							
Used with							
Q25							
Side Mount							
Used with							
QM42/QMT42							

- BRACKETS
- CABLES
- RETROREFLECTORS
- ENCLOSURES/ LENS SHIELDS
- MISCELLANEOUS

SMB312PD		SMB4050YL	SMB42T	SMB46A
		<p><i>Coming soon!</i></p> 		
All measurements in mm		All measurements in mm	All measurements in mm	All measurements in mm
<p>Hole center spacing: A to B = 24.2 Hole size: A = \varnothing 4.6, B = 17.0 x 4.6, A = \varnothing 18.5</p>		<p>A = \varnothing 18.0</p>	<p>Hole center spacing: A = 20.3, B to C = 5.1 Hole size: A = 4.3 x 7.5, B = \varnothing 3.0, C = 3.0 x 15.3</p>	<p>Hole center spacing: A to B = 18.5, B = 30.5 Hole size: A = \varnothing 6.6, B = 7.1 x 20.3</p>
<ul style="list-style-type: none"> • 18 mm mounting hole for sensor • Stainless steel barrel-mounting bracket <p>NOTE: Not for use with plastic fiber optic sensors</p>		<ul style="list-style-type: none"> • Heavy-duty die-cast bracket for industrial protection • Replaceable window for use with some sensor models • M18 vertical mounting option * Nut and lock washer included 	<ul style="list-style-type: none"> • Stainless steel 2-axis side-mounting bracket • Nut strap included for replacing two M3 mounting nuts 	<ul style="list-style-type: none"> • 2-piece 12-ga. stainless steel bracket assembly with precision sensor alignment adjustment • 2 mm hex key included
Barrel Mount		Base Mount	Side Mount	Barrel Mount
				
Used with		Used with	Used with	Used with
QS18 MINI-BEAM S18 M18 T18 S18U T-GAGE M18T	QS18U Q45UR S18C2 Q45UR M18C2 T18U EZ-LIGHT T18 EZ-LIGHT M18	QS18 (except AF)	QM42/QMT42	QS18 Lasers S18 Laser Emitter QS18U T-GAGE M18T
Base Mount				Side Mount
				
Used with				Used with
Q25				PicoDot

SMB46L		SMB46S		SMB46U		SMB55A	
							
All measurements in mm		All measurements in mm		All measurements in mm		All measurements in mm	
Hole center spacing: A = 16.0 Hole size: A = 16.5 x 18.7		Hole center spacing: A = 16.0 Hole size: A = 16.5 x 18.7, B = 34.0 x 10.0		Hole center spacing: A = 16.0 Hole size: A = 16.5 x 18.7, B = 34.0 x 13.0		Hole center spacing: A = 24.1, B = 27.9 Hole size: A = 12.7 x 11.4, B = 24.8 x 7.6	
<ul style="list-style-type: none"> • Right-angle • L bracket • 14-ga. 316 stainless steel 		<ul style="list-style-type: none"> • Right-angle • S bracket • 14-ga. 316 stainless steel 		<ul style="list-style-type: none"> • Right-angle • U bracket for sensor protection • 14-ga. 316 stainless steel 		<ul style="list-style-type: none"> • 15° offset bracket • 12-ga. stainless steel 	
Side Mount		Side Mount		Side Mount		Side Mount	
							
Used with		Used with		Used with		Used with	
QS18 MINI-BEAM QS30	PicoDot QM42/QMT42 QS18U	QS18 MINI-BEAM QS30	PicoDot QM42/QMT42 QS18U	QS18 MINI-BEAM PicoDot	QM42 QS18U	R58E QL55	

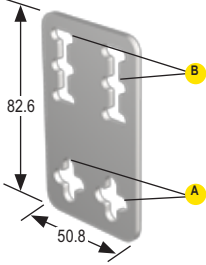
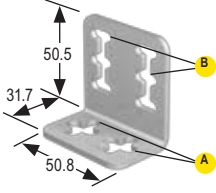
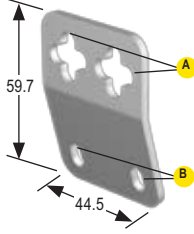
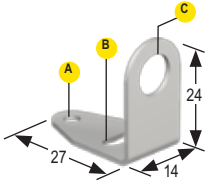



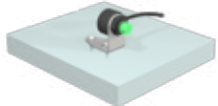
BRACKETS

CABLES

RETROREFLECTORS

ENCLOSURES/
LENS SHIELDS

MISCELLANEOUS

SMB55F	SMB55RA	SMB55S	SMB8MM
 <p>All measurements in mm</p>	 <p>All measurements in mm</p>	 <p>All measurements in mm</p>	 <p>All measurements in mm</p>
<p>Hole center spacing: A = 24.1, B = 27.9 Hole size: A = 12.7 x 11.4, B = 24.8 x 7.6</p>	<p>Hole center spacing: A = 24.1, B = 27.9 Hole size: A = 12.7 x 11.4, B = 24.8 x 7.6</p>	<p>Hole center spacing: A = 30.5, B = 28.0 Hole size: A = 12.7 x 11.4, B = 5.2 x 8.9</p>	<p>Hole center spacing: A to B = 14.0 Hole size: A = \varnothing 3.5, B = 8.3 x 3.5, C = \varnothing 8.4</p>
<ul style="list-style-type: none"> • Flat-mount bracket • 12-ga. stainless steel 	<ul style="list-style-type: none"> • Right-angle bracket • 12-ga. stainless steel 	<ul style="list-style-type: none"> • 15° offset bracket • 12-ga. stainless steel 	<ul style="list-style-type: none"> • Right-angle bracket • 300 series stainless steel
Side Mount	Side Mount	Side Mount	Barrel Mount
 <p>Used with</p>	 <p>Used with</p>	 <p>Used with</p>	 <p>Used with</p>
R58E QL55	R58E QL55	R58E QL55	T8 IT23S (Glass Fiber) BT23S (Glass Fiber) EZ-LIGHT T8L

SMBAMS18P		SMBAMS18RA		SMBAMS30P		SMBAMS30PL52	
<p>All measurements in mm</p>		<p>All measurements in mm</p>		<p>All measurements in mm</p>		<p>All measurements in mm</p>	
<p>Hole center spacing: A = 26.0, A to B = 13.0 Hole size: A = 26.8 x 7.0, B = ø 6.5, C = ø 19.0</p>		<p>Hole center spacing: A = 26.0, A to B = 13.0 Hole size: A = 26.8 x 7.0, B = ø 6.5, C = ø 19.0</p>		<p>Hole center spacing: A = 26.0, A to B = 13.0 Hole size: A = 26.8 x 7.0, B = ø 6.5, C = ø 31.0</p>		<p>Hole center spacing: A = 26.0, A to B = 13.0 Hole size: A = 26.8 x 7.0, B = ø 6.5, C = ø 31.0</p>	
<ul style="list-style-type: none"> • Flat SMBAMS series bracket with 18 mm hole for mounting sensors • Articulation slots for 90+° rotation • 12-ga. 300 series stainless steel 		<ul style="list-style-type: none"> • Right-angle SMBAMS series bracket with 18 mm hole for mounting sensors • Articulation slots for 90+° rotation • 12-ga. 300 series stainless steel 		<ul style="list-style-type: none"> • Flat SMBAMS series bracket • 30 mm hole for mounting sensors • Articulation slots for 90+° rotation • 12-ga. 300 series stainless steel 		<ul style="list-style-type: none"> • Flat bracket with 70 x 40 mm label • Flat SMBAMS series bracket • 30 mm hole for mounting sensors • Articulation slots for 90+° rotation • 12-ga. cold rolled stainless steel 	
Barrel Mount		Barrel Mount		Barrel Mount		Barrel Mount	
<p>Used with</p>		<p>Used with</p>		<p>Used with</p>		<p>Used with</p>	
QS18 MINI-BEAM S18 M18 T18 T-GAGE M18T S18U	T18U Q45UR S18C2 Q45UR M18C2 QS18U EZ-LIGHT T18 EZ-LIGHT M18	QS18 MINI-BEAM S18 M18 T18 T-GAGE M18T S18U	T18U QS18U Q45UR S18C2 Q45UR M18C2 EZ-LIGHT T18 EZ-LIGHT M18	QS30 S30 SM30/SMI30	T30 T30U EZ-LIGHT T30	EZ-LIGHT T30	
				Base Mount		Base Mount	
				<p>Used with</p>		<p>Used with</p>	
				Q40 Q45 OMNI-BEAM OTB/LTB VTB STB	QT50R QT50U Q45U Q45UR K50 EZ-LIGHT K50L	VTB K50 EZ-LIGHT K50L	

BRACKETS

CABLES

RETROREFLECTORS

ENCLOSURES/
LENS SHIELDS

MISCELLANEOUS

SMBAMS30PL52R	SMBAMS30RA	SMBAMS30RLJ	SMBAMS30RLS
<p>All measurements in mm</p>	<p>All measurements in mm</p>	<p>All measurements in mm</p>	<p>All measurements in mm</p>
<p>Hole center spacing: A = 26.0, A to B = 13.0 Hole size: A = 26.8 x 7.0, B = ø 6.5, C = ø 31.0</p>	<p>Hole center spacing: A = 26.0, A to B = 13.0 Hole size: A = 26.8 x 7.0, B = ø 6.5, C = ø 31.0</p>	<p>Hole center spacing: A = 26.0, A to B = 13.0 Hole size: A = 26.8 x 7.0, B = ø 6.5, C = ø 31.0</p>	<p>Hole center spacing: A = 26.0, A to B = 13.0 Hole size: A = 26.8 x 7.0, B = ø 6.5, C = ø 31.0</p>
<ul style="list-style-type: none"> • Space for 60 x 58 mm next to 30 mm mounting hole • Flat SMBAMS series bracket with 30 mm hole for mounting sensors • Articulation slots for 90+° rotation • 12-ga. cold rolled stainless steel 	<ul style="list-style-type: none"> • Right-angle SMBAMS series bracket • 30 mm hole for mounting sensors • Articulation slots for 90+° rotation • 12-ga. cold rolled stainless steel 	<ul style="list-style-type: none"> • Right-angle bracket with 70 x 40 mm space for label • Right-angle SMBAMS series bracket with 30 mm hole for mounting sensor • Articulation slots for 90+° rotation • 12-ga. 300 series stainless steel 	<ul style="list-style-type: none"> • Right-angle SMBAMS series bracket with 30 mm hole for mounting sensor • 62 x 26 mm space for label • Articulation slots for 90+° rotation • 12-ga. cold rolled stainless steel
Barrel Mount	Barrel Mount	Barrel Mount	Barrel Mount
<p>Used with</p>	<p>Used with</p>	<p>Used with</p>	<p>Used with</p>
EZ-LIGHT T30	QS30 S30 SM30/SMI30	T30 T30U EZ-LIGHT T30	EZ-LIGHT T30L
Base Mount	Base Mount		Base Mount
<p>Used with</p>	<p>Used with</p>	<p>Used with</p>	<p>Used with</p>
VTB K50 EZ-LIGHT K50L	Q40 Q45 OMNI-BEAM OTB/LTB VTB STB	Q45U Q45UR QT50U QT50R K50 EZ-LIGHT K50L	VTB K50 EZ-LIGHT K50L

BRACKETS
CABLES
RETROREFLECTORS
ENCLOSURES/
LENS SHIELDS
MISCELLANEOUS

SMBAMSBRA	SMBAMSLT3IP	SMBAMSLT3P	SMBAMSQ60IP
All measurements in mm	All measurements in mm	All measurements in mm	All measurements in mm
Hole center spacing: A = 26.0, A to B = 13.0 Hole size: A = 26.8 x 7.0, B = \varnothing 6.5	Hole center spacing: A = 26.0, A to B = 13.0 Hole size: A = 26.8 x 7.0, B = \varnothing 6.5	Hole center spacing: A = 26.0, B = 13.0 Hole size: A = 26.8 x 7.0, B = \varnothing 6.5	Hole center spacing: A = 26.0, B = 13.0 Hole size: A = 26.8 x 7.0, B = \varnothing 6.5
<ul style="list-style-type: none"> • Right-angle base piece for SMBAMS series of versatile mounting hardware • Four point hole pattern to integrate with articulation slots in SMBAMS series brackets • 12-ga. 300 series stainless steel 	<ul style="list-style-type: none"> • Industrial protection SMBAMS series bracket for LT3 with replaceable window • Articulation slots for 90+° rotation • 12-ga. 300 series stainless steel 	<ul style="list-style-type: none"> • Flat SMBAMS series bracket for mounting LT3 • Articulation slots for 90+° rotation • 12-ga. 300 series stainless steel 	<ul style="list-style-type: none"> • Industrial protection SMBAMS series bracket for Q60, with protection and replaceable window • Articulation slots for 90+° rotation • 12-ga. 300 series stainless steel
Bracket-to-Bracket	Side Mount	Side Mount	Side Mount
Used with	Used with	Used with	Used with
SMBAMSBRA* SMBAMS18P SMBAMS18RA SMBAMS30P SMBAMS30PL52 SMBAMS30PL52R SMBAMS30RLJ	SMBAMS30RLS SMBAMS30RA SMBAMSLT3IP SMBAMSLT3P SMBAMSQ60IP SMBAMSQ60P	LT3	LT3
SMBAMS30RLS SMBAMS30RA SMBAMSLT3IP SMBAMSLT3P SMBAMSQ60IP SMBAMSQ60P			Q60
* Multiple SMBAMSBRA base brackets can be integrated together to allow for additional points of articulation			

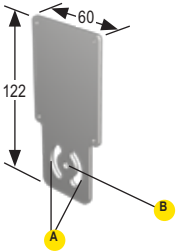
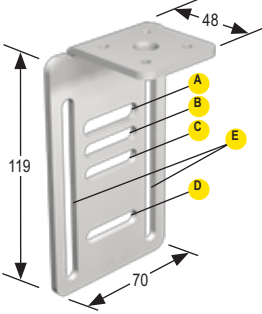
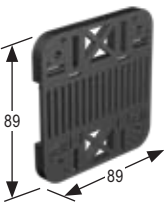
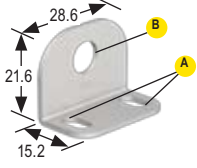



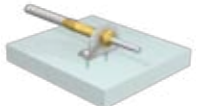
BRACKETS

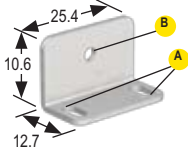
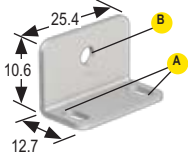
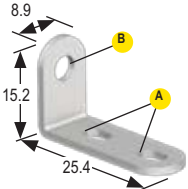
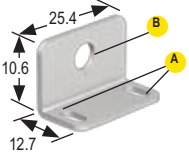
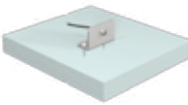
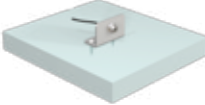
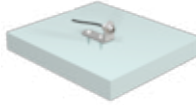
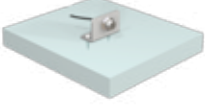
CABLES

RETROREFLECTORS

ENCLOSURES/
LENS SHIELDS

MISCELLANEOUS

SMBAMSQ60P	SMBAMSRAB	SMBDX80DIN	SMBF
 <p>All measurements in mm</p>	 <p>All measurements in mm</p>	 <p>All measurements in mm</p>	 <p>All measurements in mm</p>
<p>Hole center spacing: A = 26.0, B = 13.0 Hole size: A = 26.8 x 7.0, B = ø 6.5</p>	<p>Hole center spacing: A to B = 12.0, B to C = 11.0, A to C = 23.0, A to D = 55.0, E to E = 50.8 Hole size: A, B, C, D = 6.9 x 32.0 E = 6.9 x 89.4</p>	N/A	<p>Hole center spacing: A = 19.1 Hole size: A = 8.0 x 4.6, A = ø 8.3</p>
<ul style="list-style-type: none"> • Flat SMBAMS series bracket for mounting Q60 • Articulation slots for 90+° rotation • 12-ga. 300 series stainless steel 	<ul style="list-style-type: none"> • 10-ga. (3.4 mm) cold-rolled steel with zinc finish • Retrofit WORLD-BEAM QS30 in place of MULTI-BEAM, MAXI-BEAM, Q45, OMNI-BEAM and VALU-BEAM sensors 	<ul style="list-style-type: none"> • Black reinforced thermoplastic • Bracket for mounting on 35 mm DIN rail 	<ul style="list-style-type: none"> • Right-angle bracket for glass fiber optic with 5/16" 24 threaded tip • 18-ga. stainless steel
Side Mount	Base Mount	Side Mount	Barrel Mount
 <p>Used with</p>	 <p>Used with</p>	 <p>Used with</p>	 <p>Used with</p>
Q60	<p>QS30*</p> <p>* Requires a SMBAMS30RA bracket (sold separately)</p>	<p>K80 EZ-LIGHT K80L DX80 DX70</p>	<p>DX85 DX81 DX90 DX91</p>
			<p>Glass fiber with 5/16" - 24 threaded tip</p>

SMBFP3	SMBFP4	SMBFP4N	SMBFP6
			
All measurements in mm	All measurements in mm	All measurements in mm	All measurements in mm
<p>Hole center spacing: A = 19.1</p> <p>Hole size: A = 6.5 x 3.6, B = \varnothing 3.2</p>	<p>Hole center spacing: A = 19.1</p> <p>Hole size: A = 6.5 x 3.6, B = \varnothing 4.2</p>	<p>Hole center spacing: A = 12.0</p> <p>Hole size: A = 4.8 x 5.0, B = \varnothing 4.2</p>	<p>Hole center spacing: A = 19.1</p> <p>Hole size: A = 6.5 x 3.6, B = \varnothing 6.2</p>
<ul style="list-style-type: none"> • Right-angle bracket for glass fiber optic with 5/16" 24 threaded tip • 18-ga. stainless steel 	<ul style="list-style-type: none"> • Right-angle bracket for plastic fiber optic with 4 mm threaded tip • 18-ga. stainless steel 	<ul style="list-style-type: none"> • Low-profile right-angle bracket for plastic fiber optics with 4 mm threaded tip • 18-ga. stainless steel 	<ul style="list-style-type: none"> • Low-profile right-angle bracket for plastic fiber optics with 6 mm threaded tip • 18-ga. stainless steel
Barrel Mount	Barrel Mount	Barrel Mount	Barrel Mount
			
Used with	Used with	Used with	Used with
Plastic fiber with M3 tip	Plastic fiber with M4 tip	Plastic fiber with M4 tip	Plastic fiber with M6 tip

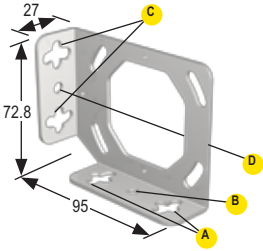
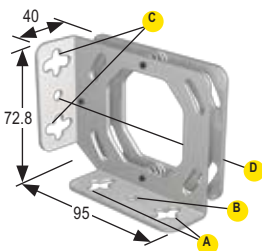
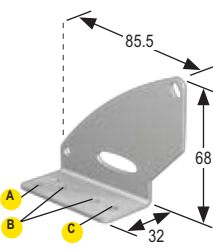
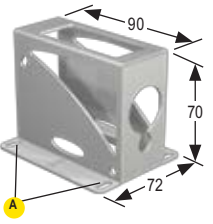




BRACKETS

CABLES

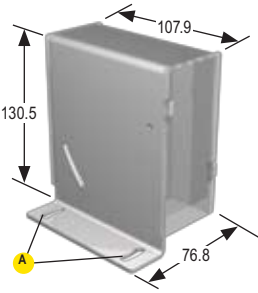
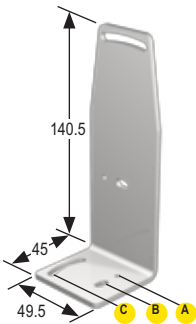

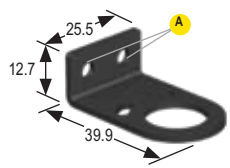




RETROREFLECTORS

ENCLOSURES/
LENS SHIELDS

MISCELLANEOUS

SMBLG	SMBLGA	SMBLT31	SMBLT32
 <p>All measurements in mm</p>	 <p>All measurements in mm</p>	 <p>All measurements in mm</p>	 <p>All measurements in mm</p>
<p>Hole center spacing: A = 56.0, A to B = 20.0, C = 44.5, C to D = 14.0 Hole size: A = 19.1 x 14.2, B = \varnothing 6.3, C = 19.3 x 15.3, D = \varnothing 6.3</p>	<p>Hole center spacing: A = 56.0, A to B = 20.0, C = 44.5, C to D = 14.0 Hole size: A = 19.1 x 14.2, B = \varnothing 6.3, C = 19.3 x 15.3, D = \varnothing 6.3</p>	<p>Hole center spacing: A to C = 47.5, B to B = 24.1 Hole size: A = 13.2 x 5.0, B = \varnothing 4.0, C = \varnothing 5.0</p>	<p>Hole center spacing: A = 80.0 Hole size: A = 5.0 x 12.0</p>
<ul style="list-style-type: none"> • LG series sensor mounting bracket • 304 stainless steel 	<ul style="list-style-type: none"> • LG series adjustable bracket assembly • Precision adjustment screws • 304 stainless steel 	<ul style="list-style-type: none"> • Right-angle bracket • 300 stainless steel 	<ul style="list-style-type: none"> • Full protection bracket • 300 stainless steel • Mounting hardware included
Side Mount	Side Mount	Side Mount	Side Mount
 <p>Used with</p>	 <p>Used with</p>	 <p>Used with</p>	 <p>Used with</p>
LG5 LG10	LG5 LG10	LT3	LT3

- BRACKETS
- CABLES
- RETROREFLECTORS
- ENCLOSURES/
LENS SHIELDS
- MISCELLANEOUS

SMBLT3IP	SMBLT7	SMBLT7F	SMBLX
 <p>All measurements in mm</p>	 <p>All measurements in mm</p>	 <p>All measurements in mm</p>	 <p>All measurements in mm</p>
<p>Hole center spacing: A = 82.5 Hole size: A = 6.0 x 20.5</p>	<p>Hole center spacing: A to C = 31.8 Hole size: A = \varnothing 3.1, B = 5.0 x 9.0, C = 5.2 x 28.0</p>	<p>N/A</p>	<p>Hole center spacing: A = 12.7 Hole size: A = \varnothing 4.3</p>
<ul style="list-style-type: none"> • Protective bracket with replaceable window • Stainless steel construction • Includes replacement windows 	<ul style="list-style-type: none"> • Right-angle bracket • 300 stainless steel • Fine-adjust accessory available (model SMBLT7F) 	<ul style="list-style-type: none"> • Fine-adjust accessory for bracket SMBLT7 • Mounting hardware included • SMBLT7 required (sold separately) • Cold rolled steel 	<ul style="list-style-type: none"> • End-cap brackets; set of 2 • Zinc-plated cold rolled steel
<p>Side Mount</p>	<p>Side Mount</p>	<p>Bracket-to-Bracket</p>	<p>Base Mount</p>
 <p>Used with</p>	 <p>Used with</p>	 <p>Used with</p>	 <p>Used with</p>
<p>LT3</p>	<p>LT7</p>	<p>LT7* *Shown mounted on SMBLT7 (sold separately)</p>	<p>LX</p>

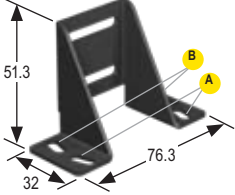
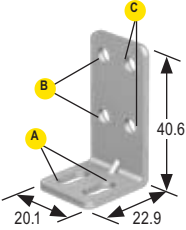
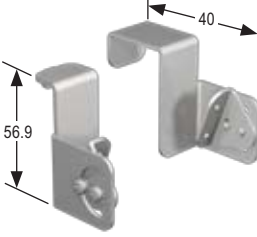
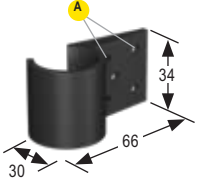


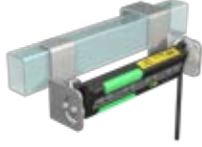



BRACKETS

CABLES

RETROREFLECTORS

ENCLOSURES/
LENS SHIELDS

MISCELLANEOUS

SMBLXR	SMBPVA1	SMBPVA11	SMBPVA2
 <p>All measurements in mm</p>	 <p>All measurements in mm</p>	 <p>All measurements in mm</p>	 <p>All measurements in mm</p>
<p>Hole center spacing: A, B = 63.5, A to B = 10.2 Hole size: A, B = 5.2 x 11.6</p>	<p>Hole center spacing: A = 10.2, B to B = 18.0, B to C = 10.2 Hole size: A = 10.0 x 4.8, B, C = \varnothing 4.6</p>	<p>NA</p>	<p>Hole center spacing: A = 18.8 Hole size: A = \varnothing 4.4</p>
<ul style="list-style-type: none"> • Back-mount bracket for secure one-end mounting • Zinc-plated cold rolled steel 	<ul style="list-style-type: none"> • Right-angle bracket for PVA and PVD products • 303 stainless steel • Replacement brackets included with sensors 	<ul style="list-style-type: none"> • Pair of two-piece swivel brackets for mounting sensor to 5/16" metal rack system • Articulation slot for $\pm 90^\circ$ rotation • May be used with SMBPVA..C bracket 	<ul style="list-style-type: none"> • Set of 4 molded brackets • Snaps onto standard 28 mm diameter pipe • 2 required per PVA or PVD sensor
Side Mount	Side Mount	Side Mount	Side Mount
 <p>Used with</p>	 <p>Used with</p>	 <p>Used with</p>	 <p>Used with</p>
LX	PVA PVD	PVD	PVA PVD
		Bracket-to-Bracket	Bracket-to-Bracket
		 <p>Used with</p>	 <p>Used with</p>
		SMBPVD..A SMBPVD..AB	SMBPVA..A SMBPVA..AB SMBPVD..A SMBPVD..AB

BRACKETS
CABLES
RETROREFLECTORS
ENCLOSURES/
LENS SHIELDS
MISCELLANEOUS

SMBPVA..., SMBPVA..A, SMBPVA..AB					SMBPVA..C			SMBPVA6	
All measurements in mm					All measurements in mm			All measurements in mm	
Models	DIP Switch Access	Light Protected	Length (L)	Used With	Models	L1	L2	Hole center spacing: A, B, A to B = 18.0 Hole size: A = \varnothing 3.2	
SMBPVA5	Yes	No	139.7	PVA100	SMBPVA5C	188.7	139.5	Hole center spacing: A to C = 20.0, B to C = 18.0, D = 13.0, E = 32.0 Hole size: A = \varnothing 7.3, B, C, D, E = \varnothing 5.2	
SMBPVA5A	Yes	Yes			SMBPVA10C	317.2	268.0		
SMBPVA5AB	No	Yes			SMBPVA10	Yes	No	268.2	PVA225
SMBPVA10A	Yes	Yes	SMBPVA10AB	No	Yes				
SMBPVA13	Yes	No	343.3	PVA300	• Back-mounted bracket for mounting to SMBPVA7 or SMBPVA8 brackets • Cold-rolled steel with zinc finish				Side Mount
SMBPVA13A	Yes	Yes							
SMBPVA16	Yes	No			418.2	PVA375	Side Mount 		
SMBPVA16A	Yes	Yes	SMBPVA16AB	NO					
<ul style="list-style-type: none"> • Protects sensor from impact; provides DIP-switch and/or indicator light exposure (depending on model) • Heavy-duty cold-rolled steel-zinc finish • May be used with SMBPVA..C for mounting to SMBPVA7 or SMBPVA8 brackets 							Bracket-to-Bracket 		
Side Mount 					Bracket-to-Bracket 				
Used with					Used with				
PVA (see chart)					SMBPVA..2 SMBPVA..7*				
Bracket-to-Bracket 					SMBPVA..8* SMBPVA..C bracket				
Used with					SMBPVA7* SMBPVA8* SMBPVA... SMBPVA...A				
SMBPVA7* SMBPVA8* SMBPVA... SMBPVA...A					SMBPVA...AB SMBPVD...A SMBPVD...AB				
*Protective bracket must be mounted to a SMBPVA..C bracket.					*Sensor must be mounted to a SMBPVA..C bracket.				

BRACKETS

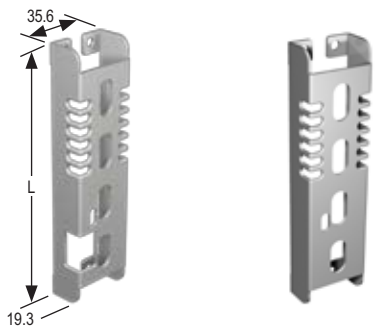
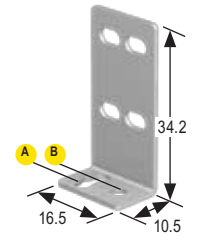
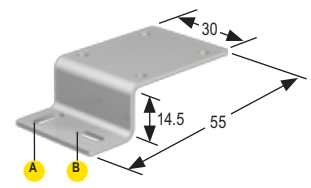




CABLES

RETROREFLECTORS

ENCLOSURES/
LENS SHIELDS

MISCELLANEOUS

SMBPVA7	SMBPVA8	SMBPVA9	SMBQ12A
<p>All measurements in mm</p>	<p>All measurements in mm</p>	<p>All measurements in mm</p>	<p>All measurements in mm</p>
N/A	N/A	<p>Hole center spacing: A = 18.0 Hole size: A = \varnothing 5.0</p>	<p>Hole center spacing: A to B = 7.6 Hole size: A = 3.5 x 8.1, B = \varnothing 3.2</p>
<ul style="list-style-type: none"> • One-piece bracket for mounting to 28 mm (11/8") dia. pipe • Black-painted steel • Requires SMBPVA..C for mounting at an angle $\pm 90^\circ$ 	<ul style="list-style-type: none"> • Heavy-duty 2-part bracket mounts to 28 mm (11/8") dia. pipe • Cold-rolled steel with zinc finish • Requires SMBPVA..C for mounting 	<ul style="list-style-type: none"> • Pair of 2-piece swivel brackets • Mount directly to sensor or to PVD/PVA protective brackets • Designed for mounting sensor to "look down" 	<ul style="list-style-type: none"> • Adjustable right-angle bracket • 20-ga. 300 series stainless steel
Side Mount	Bracket to Bracket	Side Mount	Side Mount
<p>Used with</p>	<p>Used with</p>	<p>Used with</p>	<p>Used with</p>
PVA* PVD* SMBPVA5C SMBPVA10C	PVA* PVD* SMBPVA5C SMBPVA10C	PVA PVD	Q12
*Sensor must be mounted to SMBPVA..C bracket. (sold separately)	*Sensor must be mounted to SMBPVA..C bracket. (sold separately)	<p>Bracket to Bracket</p> <p>Used with</p>	
		SMBPVA... SMBPVA..A SMBPVA...AB SMBPVD...A SMBPVD...AB	

SMBPVD..A & SMBPVA..AB				SMBQ12T	SMBQ20H																
 <p>All measurements in mm</p>				 <p>All measurements in mm</p>	 <p>All measurements in mm</p>																
<table border="1"> <thead> <tr> <th>Models</th> <th>DIP Switch Access</th> <th>Length (L)</th> <th>Used With</th> </tr> </thead> <tbody> <tr> <td>SMBPVD100A</td> <td>Yes</td> <td rowspan="2">140</td> <td rowspan="2">PVD100</td> </tr> <tr> <td>SMBVD100AB</td> <td>No</td> </tr> <tr> <td>SMBPVD225A</td> <td>Yes</td> <td rowspan="2">269</td> <td rowspan="2">PVD225</td> </tr> <tr> <td>SMBPVD225AB</td> <td>No</td> </tr> </tbody> </table>				Models	DIP Switch Access	Length (L)	Used With	SMBPVD100A	Yes	140	PVD100	SMBVD100AB	No	SMBPVD225A	Yes	269	PVD225	SMBPVD225AB	No	<p>Hole center spacing: A to B = 7.6 Hole size: A = 3.5 x 8.1, B = \varnothing 3.2</p>	<p>Hole center spacing: A to B = 20.0 Hole size: A = 2.8 x 9.3, B = 8.4 x 4.5</p>
Models	DIP Switch Access	Length (L)	Used With																		
SMBPVD100A	Yes	140	PVD100																		
SMBVD100AB	No																				
SMBPVD225A	Yes	269	PVD225																		
SMBPVD225AB	No																				
<ul style="list-style-type: none"> • Heavy-duty protection brackets; DIP-switch access • Cold-rolled steel with zinc finish • May be used with SMBPVA..C for mounting to SMBPVA7 or SMBPVA8 brackets 				<ul style="list-style-type: none"> • Right-angle bracket • 20-ga. 300 series stainless steel 	<ul style="list-style-type: none"> • Sensor horizontal flange mount • $\pm 10^\circ$ swivel • Stainless steel 																
Side Mount				Side Mount	Side Mount																
 <p>Used with</p>				 <p>Used with</p>	 <p>Used with</p>																
PVD100 (see chart)				Q12	Q20																
Bracket-to-Bracket																					
 <p>Used with</p>																					
<p>SMBPVA9 SMBPVA2 SMBPVA..C SMBPVA7* SMBPVA8*</p>																					
<p>* Protective bracket must be mounted to a SMBPVA..C bracket.</p>																					

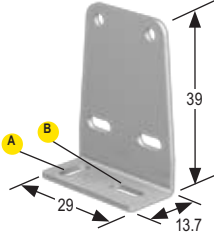
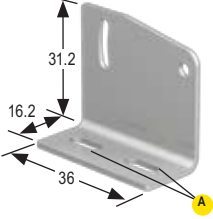
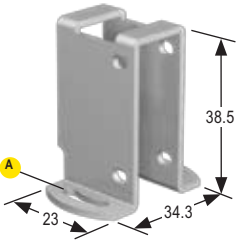
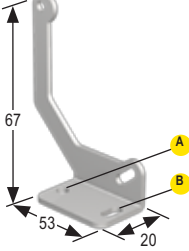


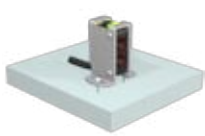

BRACKETS

CABLES

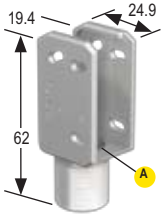
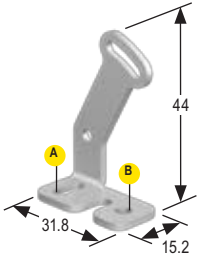
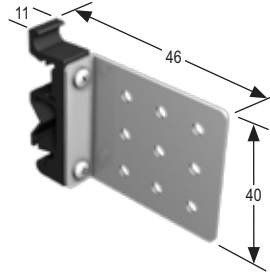
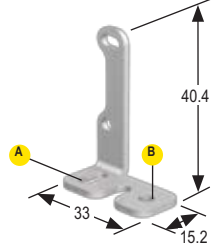
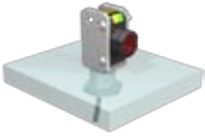
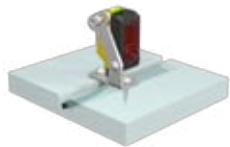
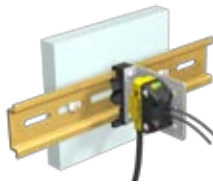
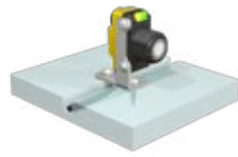
RETROREFLECTORS

ENCLOSURES/
LENS SHIELDS

MISCELLANEOUS

SMBQ20L	SMBQ20LV	SMBQ20U	SMBQ50
 <p>All measurements in mm</p>	 <p>All measurements in mm</p>	 <p>All measurements in mm</p>	 <p>All measurements in mm</p>
<p>Hole center spacing: A to B = 20.0 Hole size: A = 2.8 x 9.3, B = 8.4 x 4.5</p>	<p>Hole center spacing: A = 12.0 Hole size: A = \varnothing 3.0 x 9.4</p>	<p>Hole center spacing: A = 26.5 Hole size: A = 3.0 x 12.6</p>	<p>Hole center spacing: A to B = 24.1 Hole size: A = \varnothing 4.5, B = 8.4 x 4.5</p>
<ul style="list-style-type: none"> • Right-angle bracket • $\pm 5^\circ$ tip, $\pm 5^\circ$ swivel • Stainless steel 	<ul style="list-style-type: none"> • Right-angle bracket • $\pm 10^\circ$ tip • Stainless steel 	<ul style="list-style-type: none"> • Protective bracket • $\pm 22.5^\circ$ swivel • Stainless steel 	<ul style="list-style-type: none"> • Right-angle bracket • 14-ga. 304 stainless steel
Side Mount	Side Mount	Side Mount	Side Mount
 <p>Used with</p>	 <p>Used with</p>	 <p>Used with</p>	 <p>Used with</p>
Q20	Q20	Q20	Q50

SMBQ60	SMBQC50	SMBQS12PD	SMBQS12S
<p>All measurements in mm</p>	<p>All measurements in mm</p>	<p>All measurements in mm</p>	<p>All measurements in mm</p>
<p>Hole center spacing: A to B = 24.1 Hole size: A = \varnothing 4.5, B = 8.4 x 4.5</p>	<p>Hole center spacing: A to B = 18.0, B to B = 36.0 Hole size: A = \varnothing 4.0, B = 4.0 x 13.3</p>	<p>Hole center spacing: A to B = 14.0 Hole size: A = \varnothing 3.5, B = 3.5 x 10.6, C = \varnothing 13.0</p>	<p>Hole center spacing: A = 14.0 Hole size: A = 3.5 x 7.0</p>
<ul style="list-style-type: none"> • Right-angle bracket • 14-ga. 304 stainless steel 	<ul style="list-style-type: none"> • Multi-directional stainless steel right-angle bracket • Variety of mounting options 	<ul style="list-style-type: none"> • Right-angle, nose-mount bracket • 16-ga. 300 series stainless steel 	<ul style="list-style-type: none"> • Right-angle side-mount bracket • 16-ga. 300 series stainless steel
Side Mount	Side Mount	Barrel Mount	Side Mount
<p>Used with</p>	<p>Used with</p>	<p>Used with</p>	<p>Used with</p>
Q60	QC50 QCX50	MINI-BEAM2 M12	MINI-BEAM2

SMBQS18A	SMBQS18AF	SMBQS18DIN	SMBQS18RA
 <p>All measurements in mm</p>	 <p>All measurements in mm</p>	 <p>All measurements in mm</p>	 <p>All measurements in mm</p>
<p>Hole size: A = \varnothing 16.4</p>	<p>Hole center spacing: A to B = 20.3 Hole size: A = 4.3 x 9.4, B = \varnothing 4.3</p>	<p>N/A</p>	<p>Hole center spacing: A to B = 20.3 Hole size: A = 4.3 x 9.4, B = \varnothing 4.3</p>
<ul style="list-style-type: none"> • Wrap-around protection bracket • Die-cast bracket • Base fits 18 mm threaded hole • Metal hex nut, lock washer and grommet included 	<ul style="list-style-type: none"> • Right-angle mounting bracket • 14-ga. 304 stainless steel 	<ul style="list-style-type: none"> • Right-angle bracket assembly for mounting on 35 mm DIN rail • 300 series stainless steel and glass filled nylon; zinc-plated screws 	<ul style="list-style-type: none"> • Right-angle mounting bracket • 14-ga. 304 stainless steel
<p>Side Mount</p>	<p>Side Mount</p>	<p>Side Mount</p>	<p>Side Mount</p>
 <p>Used with</p>	 <p>Used with</p>	 <p>Used with</p>	 <p>Used with</p>
<p>QS18 QS18U</p>	<p>QS18AF (Only)</p>	<p>QS18</p>	<p>QS18 (except QS18AF) QS18U</p>

SMBQS18Y	SMBQS18YL	SMBQS30L	SMBQS30LT
<p>All measurements in mm</p>	<p>All measurements in mm</p>	<p>All measurements in mm</p>	<p>All measurements in mm</p>
<p>Hole size: A = \varnothing 16.4</p>	<p>Hole size: A = \varnothing 16.3</p>	<p>Hole center spacing: A to B = 35.0 Hole size: A = \varnothing 4.3, B = 4.25 x 16.3</p>	<p>Hole center spacing: A to B = 35.0 Hole size: A = \varnothing 4.3, B = 4.25 x 16.3</p>
<ul style="list-style-type: none"> • Die-cast bracket for 18 mm holes • Includes metal hex nut and lock washer • Allows $\pm 8^\circ$ for cabled sensors 	<ul style="list-style-type: none"> • Heavy-duty die-cast bracket for industrial protection • Replaceable window • M18 vertical mount-option • Nut and lock washer included 	<ul style="list-style-type: none"> • Right-angle bracket for cable sensor models • Clearance for M4 (#8) hardware • $\pm 12^\circ$ tilt adjustment • 14-ga. stainless steel 	<ul style="list-style-type: none"> • Tall right-angle bracket for QD models • $\pm 8^\circ$ tilt adjustment • 14-ga. stainless steel
Side Mount	Side Mount	Side Mount	Side Mount
<p>Used with</p>	<p>Used with</p>	<p>Used with</p>	<p>Used with</p>
<p>QS18 QS18U</p>	<p>QS18AF (Class 2 Laser Only)</p>	<p>QS30</p>	<p>QS30 with integral QDs</p>

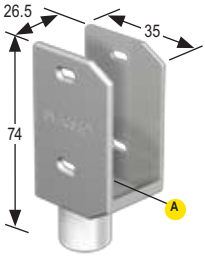
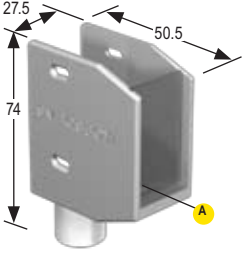
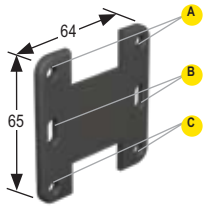
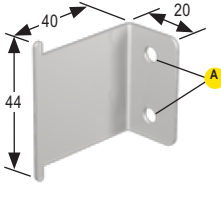




BRACKETS

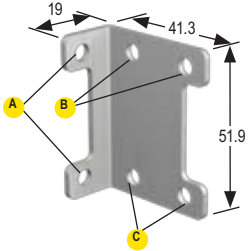
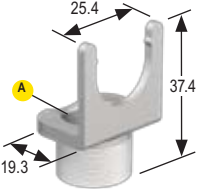
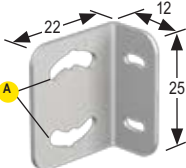
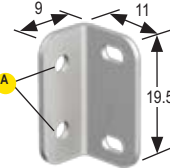




CABLES

RETROREFLECTORS

ENCLOSURES/
LENS SHIELDS

MISCELLANEOUS

SMBQS30Y	SMBQS30YL	SMBR55F01	SMBR55FRA
 <p>All measurements in mm</p>	 <p>All measurements in mm</p>	 <p>All measurements in mm</p>	 <p>All measurements in mm</p>
<p>Hole size: A = \varnothing 16.4</p>	<p>Hole size: A = \varnothing 16.4</p>	<p>Hole center spacing: A, B, C = 50.8, A to B, B to C = 25.3 Hole size: A, C = \varnothing 5.6, B = 11.3 x 5.6</p>	<p>Hole center spacing: A = 20.0 Hole size: A = \varnothing 5.4</p>
<ul style="list-style-type: none"> • Heavy-duty die-cast bracket • M18 vertical mount option • $\pm 8^\circ$ tilt adjustment with cabled units • Includes nuts and lock washer 	<ul style="list-style-type: none"> • Heavy-duty die-cast bracket designed for industrial protection • Replaceable window • M18 vertical mount option • Includes nuts and lock washer 	<ul style="list-style-type: none"> • Flat-mounting bracket • Eliminates need for DIN rail • Molded PBT polyester 	<ul style="list-style-type: none"> • 19-ga. stainless steel • Side-mounting bracket • Eliminates need for DIN rail
<p>Side Mount</p>	<p>Side Mount</p>	<p>Side Mount</p>	<p>Side Mount</p>
 <p>Used with</p>	 <p>Used with</p>	 <p>Used with</p>	 <p>Used with</p>
<p>QS30</p>	<p>QS30 (DC only)</p>	<p>R55F D10 D12</p>	<p>R55F D10 D12</p>

SMBSL	SMBT18Y	SMBVS1S	SMBVS1SC
 <p>All measurements in mm</p>	 <p>All measurements in mm</p>	 <p>All measurements in mm</p>	 <p>All measurements in mm</p>
<p>Hole center spacing: A = 40.0, B, C = 21.6, B to C = 39.9 Hole size: A, B, C = \varnothing 5.5</p>	<p>Hole size: A = \varnothing 15.3</p>	<p>Hole center spacing: A = 16.8 Hole size: A = 3.5 x 12.3</p>	<p>Hole center spacing: A = 10.0 Hole size: A = \varnothing 2.8</p>
<ul style="list-style-type: none"> • Right-angle bracket • 304 stainless steel • Hardware included 	<ul style="list-style-type: none"> • Die-cast bracket for 18 mm holes • Includes metal hex nut • For use with Euro-style QD connectors and cabled versions 	<ul style="list-style-type: none"> • Short right-angle bracket • 18-ga. stainless steel 	<ul style="list-style-type: none"> • Short right-angle bracket • 18-ga. stainless steel
<p>Side Mount</p>	<p>Barrel Mount</p>	<p>Side Mount</p>	<p>Side Mount</p>
 <p>Used with</p>	 <p>Used with</p>	 <p>Used with</p>	 <p>Used with</p>
<p>SL10 SL30</p>	<p>T18 T18U EZ-LIGHT T18</p>	<p>VS1</p>	<p>VS1</p>

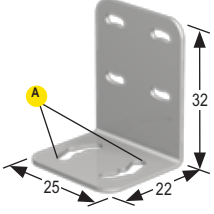
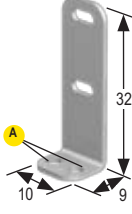
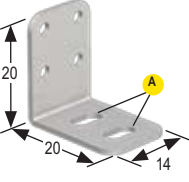
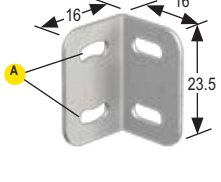

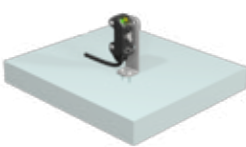


BRACKETS

CABLES

RETROREFLECTORS

ENCLOSURES/
LENS SHIELDS

MISCELLANEOUS

SMBVS1T	SMBVS1TC	SMBVS2RA	SMBVS3S
 <p>All measurements in mm</p>	 <p>All measurements in mm</p>	 <p>All measurements in mm</p>	 <p>All measurements in mm</p>
<p>Hole center spacing: $\text{A} = 16.8$ Hole size: $\text{A} = 3.5 \times 12.3$</p>	<p>Hole center spacing: $\text{A} = 5.5$ Hole size: $\text{A} = \varnothing 2.8$</p>	<p>Hole center spacing: $\text{A} = 80$. Hole size: $\text{A} = 3.2 \times 6.0$</p>	<p>Hole center spacing: $\text{A} = 13.5$ Hole size: $\text{A} = 3.2 \times 7.7$</p>
<ul style="list-style-type: none"> • Tall right-angle bracket • Stainless steel 	<ul style="list-style-type: none"> • Tall right-angle compact bracket • 300 stainless steel 	<ul style="list-style-type: none"> • Right-angle bracket • Stainless steel 	<ul style="list-style-type: none"> • Right-angle bracket • 300 stainless steel
Side Mount	Side Mount	Side Mount	Side Mount
 <p>Used with</p>	 <p>Used with</p>	 <p>Used with</p>	 <p>Used with</p>
VS1	VS1	VS2	VS3

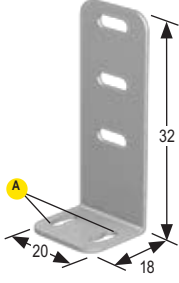
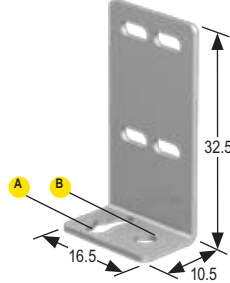
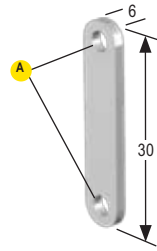



BRACKETS

CABLES

RETROREFLECTORS

ENCLOSURES/
LENS SHIELDS

MISCELLANEOUS

SMBVS3T	SMBVS4SRA	SMH241F
 <p>All measurements in mm</p>	 <p>All measurements in mm</p>	 <p>All measurements in mm</p>
<p>Hole center spacing: A = 13.5 Hole size: A = 3.2 x 7.7</p>	<p>Hole center spacing: A to B = 8.5 Hole size: A = 3.2 x 8.0, B = \varnothing 3.2</p>	<p>Hole center spacing: A = 24.0 Hole size: A = \varnothing 2.5</p>
<ul style="list-style-type: none"> • Tall right-angle bracket • 300 stainless steel 	<ul style="list-style-type: none"> • Tall right-angle bracket • 300 series stainless steel 	<ul style="list-style-type: none"> • Nut strap replaces two M3 mounting nuts and washers • 16-ga. stainless steel
Side Mount	Side Mount	Side Mount
 <p>Used with</p>	 <p>Used with</p>	 <p>Used with</p>
VS3	VS4	QS18 MINI-BEAM QM42/QMT42 QS18U

BRACKETS










CABLES

RETROREFLECTORS

ENCLOSURES/
LENS SHIELDS

MISCELLANEOUS

Banner Vision Bracket Selection Chart

Sensor	Used With						
PresencePLUS® Pro page 312 	SMBPPDH page 407	SMBPPDE page 407	SMBPPLU page 407	SMBPPRA page 408	SMBPPU page 408	SMBPPSU page 408	
PresencePLUS® P4 page 312 	SMBP4RAB page 406	SMBP4RAS page 406					
Ring Lights page 324 	SMBPPRHI page 408						
Backlights Page 326 	SMBABM page 404	SMBACM page 404					
Area Lights page 327 	SMBABM page 404	SMBACM page 404	SMBASCM page 404	SMBP42ASM page 405	SMBP4ASM page 405	SMBVL62X62S page 409	SMBVL62X62RA page 409
Spot Lights page 328 	SMBP4ASM page 405	SMBPPLK page 407					
Linear Array page 329 	SMBLASRA page 404						
Tubular Fluorescent page 329 	SMBWFTLS page 409	SMBWFTLR page 409					
On-Axis Lights page 330 	SMBP40AL100 page 405	SMBP4OAL50 page 405	SMBPPOAL100 page 406	SMBPPOAL50 page 406			

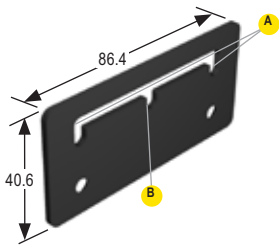
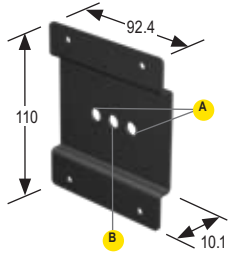
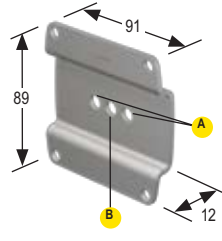
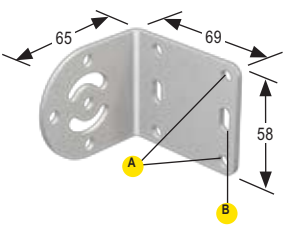




BRACKETS

CABLES

RETROREFLECTORS

ENCLOSURES/
LENS SHIELDS

MISCELLANEOUS

SMBABM	SMBACM	SMBASCM	SMBLASRA
 <p>All measurements in mm</p>	 <p>All measurements in mm</p>	 <p>All measurements in mm</p>	 <p>All measurements in mm</p>
<p>Hole center spacing: A = 61.0, A to B = 30.5 Hole size: A, B = 9.1 x 2.3</p>	<p>Hole center spacing: A = 30.0, A to B = 15.0 Hole size: \varnothing 5.0</p>	<p>Hole center spacing: A = 25.4, A to B = 12.7 Hole size: A = \varnothing 5.0</p>	<p>Hole center spacing: A, B, A to B = 45.0 Hole size: A = \varnothing 6.6, B = 6.6 x 12.4</p>
<ul style="list-style-type: none"> • Surface-mount bracket for mounting light from front • Black corrosion-resistant zinc finish • Hardware included 	<ul style="list-style-type: none"> • Column-mount bracket with locking pivot • Black corrosion-resistant zinc finish • Hardware included 	<ul style="list-style-type: none"> • Column-mount bracket with locking pivot • 316 Stainless steel • Stainless steel hardware included 	<ul style="list-style-type: none"> • Right-angle metal bracket • May be used individually or two used in combination • 316 stainless steel bracket and hardware
 <p>Used with</p>	 <p>Used with</p>	 <p>Used with</p>	 <p>Used with</p>
<p>Area Lights (80 x 80 mm) Backlights (70 x 70 mm)</p>	<p>Area Lights (80 x 80 mm) Backlights (70 x 70 mm)</p>	<p>Area Light (70 mm)</p>	<p>Sealed Linear Array</p>
	<p>Note: Shown with optional SMBPPK6 mounting kit (see page 441).</p>	<p>Note: Shown with optional SMBPPK6 mounting kit (see page 441).</p>	

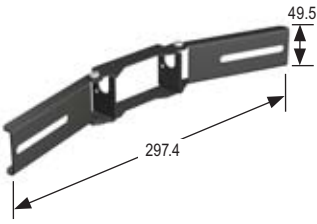

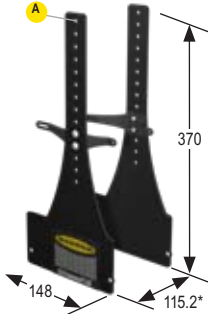
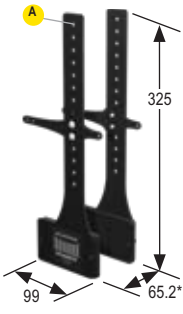




BRACKETS

CABLES

RETROREFLECTORS

ENCLOSURES/
LENS SHIELDS

MISCELLANEOUS

SMBP42ASM	SMBP4ASM	SMBP4OAL100	SMBP4OAL50
 <p>All measurements in mm</p>	 <p>All measurements in mm</p>	 <p>All measurements in mm</p>	 <p>All measurements in mm</p>
N/A	N/A	<p>Hole center spacing: A = 15.0 Hole size: A = \varnothing 5.3</p>	<p>Hole center spacing: A = 15.0 Hole size: A = \varnothing 5.3</p>
<ul style="list-style-type: none"> • For mounting two lights to P4 sensor housing • Black corrosion-resistant zinc finish • Hardware included 	<ul style="list-style-type: none"> • For mounting light to P4 sensor housing • Black corrosion-resistant zinc finish • Hardware included 	<ul style="list-style-type: none"> • For mounting On-Axis light to P4 housing • Centers lens on light opening • Black zinc-plated steel • Hardware included 	<ul style="list-style-type: none"> • For mounting On-Axis light to P4 housing • Centers lens on light opening • Black zinc-plated steel • Hardware included
 <p>Used with</p>	 <p>Used with</p>	 <p>Used with</p>	 <p>Used with</p>
<p>Area Light (80 x 80 mm)* Area Light (62 x 62 mm) Spot Lights</p>	<p>Area Light (80 x 80 mm)* Area Light (62 x 62 mm) Spot Lights</p>	<p>On-Axis (100 mm)</p>	<p>On-Axis (50 mm)</p>
<p>* Requires one SMBACM bracket with each light (see page 404)</p>	<p>* Requires one SMBACM bracket with each light (see page 404)</p>	<p>* Dimensions include 100 mm light (sold separately)</p>	<p>* Dimensions include 50 mm light (sold separately)</p>

SMBPPOAL100	SMBPPOAL50	SMBP4RAB	SMBP4RAS
<p>All measurements in mm</p>	<p>All measurements in mm</p>	<p>All measurements in mm</p>	<p>All measurements in mm</p>
<p>Hole center spacing: A = 15.0 Hole size: A = \varnothing 5.3</p>	<p>Hole center spacing: A = 15.0 Hole size: A = \varnothing 5.3</p>	<p>Hole center spacing: A = 47.0 Hole size: A = 3.3 x 19.1</p>	<p>Hole center spacing: A = 43.5 Hole size: A = 6.8 x 2.5</p>
<ul style="list-style-type: none"> • For mounting On-Axis light to <i>Pro</i> housing • Centers lens on light opening • Black zinc-plated steel • Hardware included 	<ul style="list-style-type: none"> • For mounting On-Axis light to <i>Pro</i> housing • Centers lens on light opening • Black zinc-plated steel • Hardware included 	<ul style="list-style-type: none"> • Heavy duty, black corrosion-resistant zinc finish • 8° of rotation on image-axis • Hardware included 	<ul style="list-style-type: none"> • Right-angle swivel bracket • 70° rotation on image's x-axis and 20° on the y-axis • Black corrosion-resistant zinc finish • Hardware included
<p>Used with</p>	<p>Used with</p>	<p>Used with</p>	<p>Used with</p>
On-Axis 100 mm	On-Axis 50 mm	P4 (right-angle)	P4 (right-angle)
* Dimensions include 100 mm light (sold separately)		* Dimensions include 50 mm light (sold separately)	

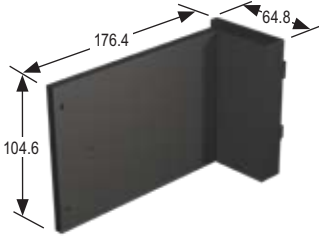
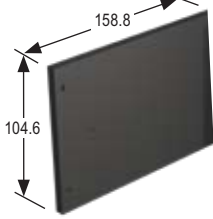
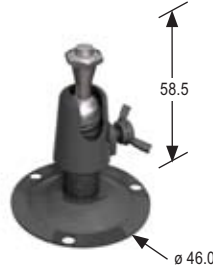
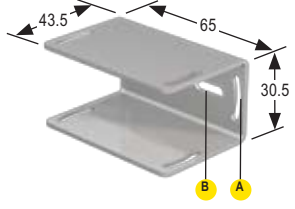




BRACKETS

CABLES

RETROREFLECTORS

ENCLOSURES/
LENS SHIELDS

MISCELLANEOUS

SMBPPDE	SMBPPDH	SMBPPLK	SMBPPLU
 <p>All measurements in mm</p>	 <p>All measurements in mm</p>	 <p>All measurements in mm</p>	 <p>All measurements in mm</p>
N/A	N/A	N/A	<p>Hole center spacing: A = 58.5, B = 30.0 Hole Size: A = 18.7 x 3.4, B = 14.3 x 4.4</p>
<ul style="list-style-type: none"> • DIN-rail edge mounting bracket to save linear track space • Black ABS plastic • Hardware included 	<ul style="list-style-type: none"> • DIN-rail flat mounting for easy viewing of LED's • Black ABS plastic • Hardware included 	<ul style="list-style-type: none"> • 2" pivoting assebmly 	<ul style="list-style-type: none"> • Highly stable U-Shaped bracket • Bright corrosion-resistant finish • Hardware included
 <p>Used with</p>	 <p>Used with</p>	 <p>Used with</p>	 <p>Used with</p>
<i>PresencePLUS Pro Controller</i>	<i>PresencePLUS Pro Controller</i>	Spot Lights	<i>PresencePLUS Pro Camera</i>

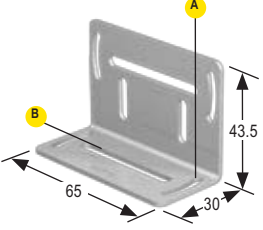
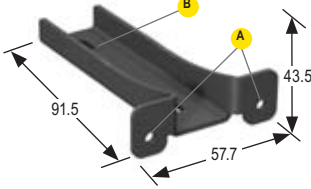
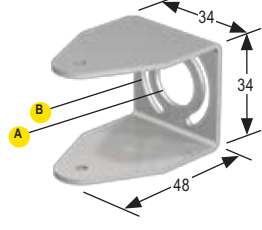
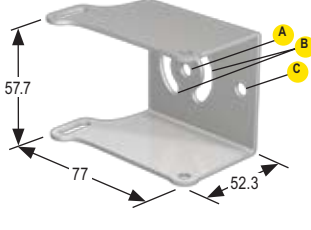



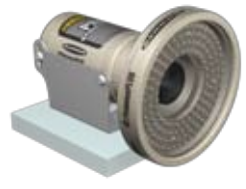
BRACKETS

CABLES

RETROREFLECTORS

ENCLOSURES/
LENS SHIELDS

MISCELLANEOUS

SMBPPRA	SMBPPRHI	SMBPPU	SMBPPSU
 <p>All measurements in mm</p>	 <p>All measurements in mm</p>	 <p>All measurements in mm</p>	 <p>All measurements in mm</p>
<p>Hole center spacing: A = 58.5 Hole Size: A = 18.7 x 3.4, B = 44.5 x 4.4</p>	<p>Hole center spacing: A = 44.5, B = 52.3 Hole size: A = \varnothing 3.8, B = 3.6 x 6.4</p>	<p>Hole center spacing: B = 25.0 Hole size: A = \varnothing 16.0, B = 3.3 x 25.0</p>	<p>Hole center spacing: A to C = 31.8, B = 25.0 Hole size: A = \varnothing 6.5, B = 20.2 x 7.0, C = \varnothing 6.5</p>
<ul style="list-style-type: none"> • Right-angle bracket with single-side mounting for difficult-to-access sites • Bright corrosion-resistant finish • Hardware included 	<ul style="list-style-type: none"> • Black anodized aluminum bracket • For mounting light to <i>Pro</i> camera • Hardware included 	<ul style="list-style-type: none"> • U-Shaped swivel bracket for variable rotation • Bright corrosion-resistant finish • Hardware included 	<ul style="list-style-type: none"> • 316 Stainless Steel • 10° of rotation on image's y-axis • Hardware included
 <p>Used with</p>	 <p>Used with</p>	 <p>Used with</p>	 <p>Used with</p>
<i>PresencePLUS Pro Camera</i>	Ring Light (70 mm)	<i>PresencePLUS Pro Camera</i>	Sealed <i>PresencePLUS Pro Camera</i>

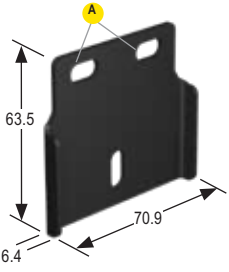
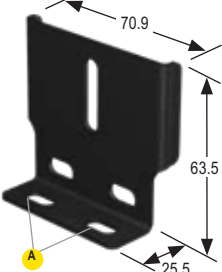

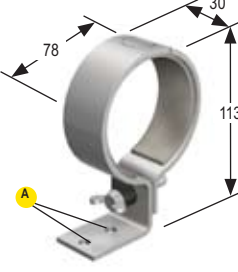




BRACKETS

CABLES

RETROREFLECTORS

ENCLOSURES/
LENS SHIELDS

MISCELLANEOUS

SMBVLA62X62S	SMBVLA62X62RA	SMBWFTLS	SMBWFTLR
 <p>All measurements in mm</p>	 <p>All measurements in mm</p>	 <p>All measurements in mm</p>	 <p>All measurements in mm</p>
<p>Hole center spacing: A = 36.4 Hole size: A = 13.1 x 6.6</p>	<p>Hole center spacing: A = 36.4 Hole size: A = 13.1 x 6.6</p>	<p>Hole center spacing: A = 27.0 Hole size: A = \varnothing 6.5</p>	<p>Hole center spacing: A = 27.0 Hole size: A = \varnothing 6.5</p>
<ul style="list-style-type: none"> • Surface-mount bracket for mounting light from front • In-line bracket • 14-ga. steel, black zinc-plated 	<ul style="list-style-type: none"> • For mounting a light at a right angle • 14-ga. steel, black zinc-plated 	<ul style="list-style-type: none"> • In-line bracket • Mounts around light • Bright zinc-coated steel construction 	<ul style="list-style-type: none"> • Right-angle bracket • Mounts around light • Bright zinc-coated steel construction
 <p>Used with</p>	 <p>Used with</p>	 <p>Used with</p>	 <p>Used with</p>
<p>Area Lights (62 x 62 mm)</p>	<p>Area Lights (62 x 62 mm)</p>	<p>Tubular Fluorescent Lights</p>	<p>Tubular Fluorescent Lights</p>

BRACKETS

CABLES

RETROREFLECTORS

ENCLOSURES/ LENS SHIELDS

MISCELLANEOUS