

3-Pin Threaded M8/Pico-Style Cordsets

Cable: PVC jacket, PUR (polyurethane) connector body, nickel-plated brass coupling nut
Conductors: 24 AWG, gold-plated contacts
Voltage/Current Rating: 125V ac/dc, 4.0 A
Temperature: -40° to +105° C **Environmental Rating:** IP67

Style	Length	Model	Cable Diameter	Dimensions (mm)	Pinout	Used With
Straight	2.00 m	PKG3M-2	4.40 mm		Female 	<ul style="list-style-type: none"> • Q12 • T8 • SB12 • VSM • VS1 • VS2 • VS3 • SLM • IP68 Sealed Ring Lights (nickel-plated) • On-Axis Lights
	5.00 m	PKG3M-5				
	7.00 m	PKG3M-7				
	9.00 m	PKG3M-9				
	10.0 m	PKG3M-10				
Right-Angle	2.00 m	PKW3M-2	4.40 mm		Female 	
	5.00 m	PKW3M-5				
	9.00 m	PKW3M-9				

3-Pin Threaded M8/Pico-Style Cordsets

Cable: PVC jacket and connector body, stainless steel coupling nut
Conductors: 24 AWG, gold-plated contacts
Voltage/Current Rating: 125V ac/dc, 4.0 A
Temperature: -40° to +90° C **Environmental Rating:** IP67

Style	Length	Model	Cable Diameter	Dimensions (mm)	Pinout	Used With
Straight	4.00 m	PKG3M-4	4.40 mm		Female 	<ul style="list-style-type: none"> • IP68 Sealed Ring Lights (stainless steel)
	7.00 m	PKG3M-7				
	10.0 m	PKG3M-10				



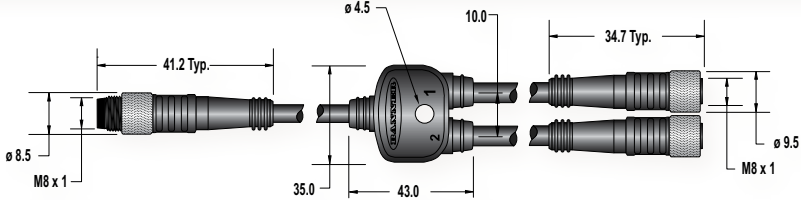
3-Pin Threaded/Snap M8/Pico-Style Cordsets – Double Ended

Cable: PVC jacket, PUR (polyurethane) connector body, nickel-plated brass (female) and nylon/nickel-plated brass (male) coupling nuts
Conductors: 24 AWG, gold-plated contacts
Voltage/Current Rating: 125V ac/dc, 4.0 A
Temperature: -40° to +105° C **Environmental Rating:** IP67

Style	Length	Model	Cable Diameter	Dimensions (mm)	Pinout	Used With
Straight	0.35 m	PKG3M-.35-PSG3M	4.40 mm		Female 	<ul style="list-style-type: none"> • IP68 Sealed P4 (connect IP68 Sealed Ring Light to P4)
	2.00 m	PKG3M-2-PSG3M				


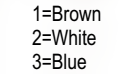
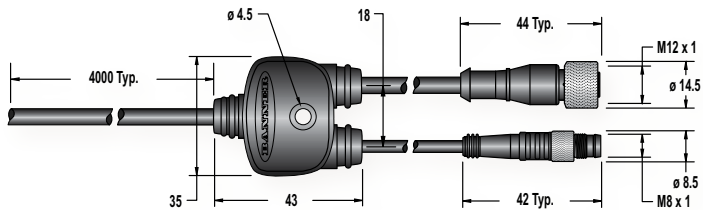
3-Pin Threaded M8/Pico-Style Splitter Cordset—Flat Junction

Cable: PVC jacket, PUR (polyurethane) connector body, nickel-plated brass (female) and nylon/nickel-plated brass (male) coupling nuts
Conductors: 24 AWG, gold-plated contacts
Voltage/Current Rating: 125V ac/dc, 4.0 A
Temperature: -40° to +105° C **Environmental Rating:**
Wiring: Parallel wired Y-cords

Connections					
Model	Branches	Trunk	Cable Diameter	Pinout	Used With
CSB-M831M831	3-Pin Pico QD 2 x 0.20 m Female	0.20 m Male	4.40 mm	<p>Female</p>  <p>Male</p>  <p>1 = Brown 3 = Blue 4 = Black</p>	<ul style="list-style-type: none"> • Connect P4 to two lights • Spot Lights • Area Lights • Backlights
Dimensions (mm)					
					

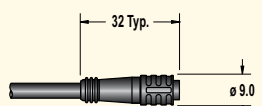
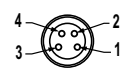
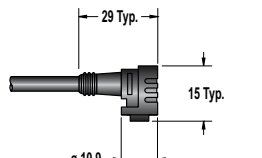
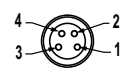
3-Pin M8/Pico-Style and 4-Pin M12/Euro-Style to Flying Leads Splitter Cordset—Flat Junction

Cable: PVC jacket, PUR (polyurethane) connector body, nickel-plated brass coupling nut
Conductors: 24 AWG (3-pin) or 22 AWG (4-pin), gold-plated contacts
Voltage/Current Rating: 250V ac/300V dc, 4.0 A
Temperature: -40° to +105° C **Environmental Rating:** IP67

Connections					
Model	Branches	Trunk	Cable Diameter	Pinout	Used With
CSB-UNT213M831F1241	3-Pin Pico QD 0.3 m Male 4-pin Euro QD 0.3 m Female	Flying Leads 4 m	4.40 mm (branches) 5.50 mm (trunk)	<p>Female</p>  <p>1=Brown 2=White 3=Blue 4=Black</p> <p>Male</p>  <p>1 = NC 3 = Blue 4 = Black</p>	<ul style="list-style-type: none"> • P4 to High Intensity Area Lights (to strobe from P4)
Dimensions (mm)					
					

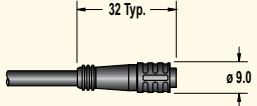

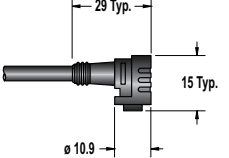

4-Pin Snap-on M8/Pico-Style Cordsets

Cable: PVC jacket, PUR (polyurethane) connector body, nylon coupling nut
Conductors: 26 AWG, gold-plated contacts
Voltage/Current Rating: 125V ac/dc, 2.0 A
Temperature: -40° to +90° C **Environmental Rating:** IP67

Style	Length	Model	Cable Diameter	Dimensions (mm)	Pinout	Used With
Straight	2.00 m	PKG4-2	3.20 mm		<p>Female</p>  <p>1 = Brown 2 = White 3 = Blue 4 = Black</p>	<ul style="list-style-type: none"> • QS18 • Q20 • D12 • D10A • S12
Right-Angle	2.00 m	PKW4Z-2	3.20 mm		<p>Female</p>  <p>1 = Brown 2 = White 3 = Blue 4 = Black</p>	

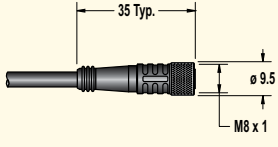
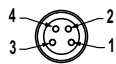
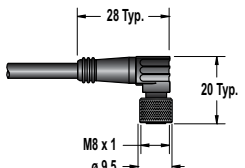
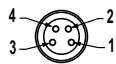
4-Pin Snap-On M8/Pico-Style Cordsets with Shield

Cable: PVC jacket, PUR (polyurethane) connector body, nylon or PUR coupling nut
Conductors: 26 AWG (shielded), gold-plated contacts
Voltage/Current Rating: 125V ac/dc, 2.0 A
Temperature: -40° to +90° C **Environmental Rating:** IP67

Style	Length	Model	Cable Diameter	Dimensions (mm)	Pinout	Used With
Straight	2.00 m	PKG4S-2	4.40 mm		<p>Female</p>  <p>1 = Brown 2 = White 3 = Blue 4 = Black</p>	• QS18U
Right-Angle	2.00 m	PKW4ZS-2	4.40 mm		<p>Female</p>  <p>1 = Brown 2 = White 3 = Blue 4 = Black</p>	

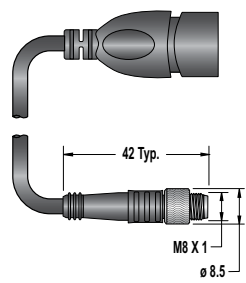
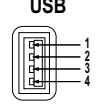
4-Pin Threaded M8/Pico-Style Cordsets

Cable: PVC jacket, PUR (polyurethane) body, nickel-plated brass coupling nut
Conductors: 26 AWG, gold-plated contacts
Voltage/Current Rating: 125V ac/dc, 2.0 A
Temperature: -40° to +105° C **Environmental Rating:** IP67

Style	Length	Model	Cable Diameter	Dimensions (mm)	Pinout	Used With
Straight	2.00 m	PKG4M-2	3.80 mm		<p>Female</p>  <p>1 = Brown 2 = White 3 = Blue 4 = Black</p>	• Q12 • Q20
	5.00 m	PKG4M-5				
	9.00 m	PKG4M-9				
Right-Angle	2.00 m	PKW4M-2	4.30 mm		<p>Female</p>  <p>1 = Brown 2 = White 3 = Blue 4 = Black</p>	
	5.00 m	PKW4M-5				
	9.00 m	PKW4M-9				

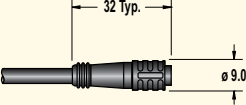
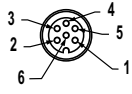
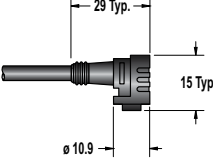
4-Pin Threaded M8/Pico-Style to USB Cordsets with Shield—Double Ended

Cable: PVC jacket, PUR (polyurethane) connector body, nickel-plated brass coupling nut on Pico QD end
Conductors: 28 AWG and 24 AWG, gold-plated contacts
Voltage/Current Rating: 60V ac/75V dc, 2.0 A
Temperature: -40° to +105° C **Environmental Rating:** IP67

Style	Length	Model	Cable Diameter	Dimensions (mm)	Pinout	Used With
Straight Pico QD/USB	0.15 m	PSG-4M-4005-USB	4.80 mm		<p>USB</p>  <p>1 = Red 3 = Green 2 = White 4 = Black</p>	<ul style="list-style-type: none"> • iVu TG & BCR — Remote Touch Screen models • iVu Plus— Remote Touch Screen models
	0.30 m	PSG-4M-401-USB				
	0.91 m	PSG-4M-403-USB				
	3.05 m	PSG-4M-410-USB				
	4.88 m	PSG-4M-416-USB				

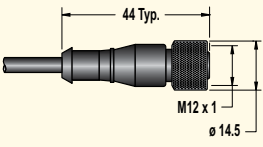
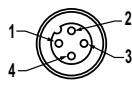
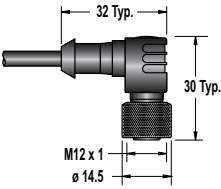
6-Pin Snap-On M8/Pico-Style Cordsets

Cable: PVC jacket, PUR (polyurethane) connector body, nylon or PUR coupling nut
Conductors: 26 AWG (shielded), gold-plated contacts
Voltage/Current Rating: 125V ac/dc, 2.0 A
Temperature: -40° to +90° C **Environmental Rating:** IP67

Style	Length	Model	Cable Diameter	Dimensions (mm)	Pinout	Used With
Straight	2.00 m	PKG6Z-2	4.70 mm		<p>Female</p>  <p>1 = Brown 2 = White 3 = Blue 4 = Black 5 = Gray 6 = Pink</p>	• D10
	9.00 m	PKG6Z-9				
Right-Angle	2.00 m	PKW6Z-2	4.70 mm			
	9.00 m	PKW6Z-9				

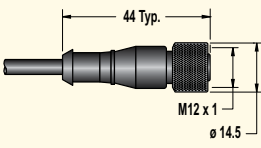
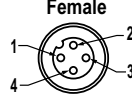
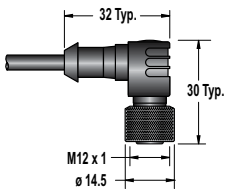
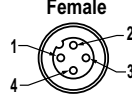
4-Pin Threaded M12/Euro-Style Cordsets

Cable: PVC jacket, PUR (polyurethane) connector body, nickel-plated brass coupling nut
Conductors: 22 AWG, gold-plated contacts
Voltage/Current Rating: 250V ac/dc, 4.0 A
Temperature: -40° to +105° C **Environmental Rating:** IP67/IP69K

Style	Length	Model	Cable Diameter	Dimensions (mm)	Pinout	Used With
Straight	1.83 m	MQDC-406	5.20 mm		<p>Female</p>  <p>1 = Brown 2 = White 3 = Blue 4 = Black</p>	<ul style="list-style-type: none"> • Q12 • M12 • QS18 • Q20 • OMNI-BEAM (QDH suffix) • Q45 dc sensors (Q5 suffix) • MINI-BEAM dc SM312 sensors • S18, M18, T18, Q25, S30, T30, Q40 • TM18/TM18 <i>Expert</i> • QM42/QMT42 • QL50/QL51 • SLM • R58A • T18U • T30UX • TL50/TL30F • K50 • K80 • PVA • VTB • STB with solid-state relay • EZ-LIGHT • WL50 • WLS28
	4.57 m	MQDC-415				
	9.14 m	MQDC-430				
	15.2 m	MQDC-450				
Right-Angle	1.83 m	MQDC-406RA	5.20 mm			
	4.57 m	MQDC-415RA				
	9.14 m	MQDC-430RA				
	15.2 m	MQDC-450RA				

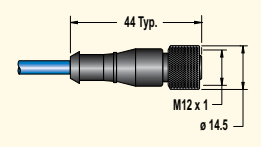
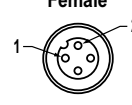
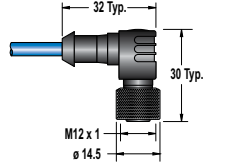
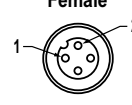
4-Pin Threaded M12/Euro-Style Cordsets with Shield

Cable: PVC jacket, PUR (polyurethane) connector body, nickel-plated brass coupling nut
Conductors: 22 AWG (shielded), gold-plated contacts
Voltage/Current Rating: 250V ac/dc, 4.0 A
Temperature: -40° to +105° C **Environmental Rating:** IP67

Style	Length	Model	Cable Diameter	Dimensions (mm)	Pinout	Used With
Straight	1.83 m	MQDEC2-406	5.20 mm		 <p>Female</p> <p>1 = Brown 2 = White 3 = Blue 4 = Black</p>	• QS18U
	4.57 m	MQDEC2-415				
	9.14 m	MQDEC2-430				
Right-Angle	1.83 m	MQDEC2-406RA	5.20 mm		 <p>Female</p> <p>1 = Brown 2 = White 3 = Blue 4 = Black</p>	• QS18U
	4.57 m	MQDEC2-415RA				
	9.14 m	MQDEC2-430RA				

4-Pin Threaded M12/Euro-Style Cordsets (for use with NAMUR sensors)

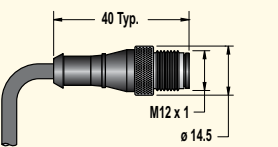
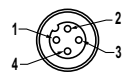
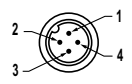
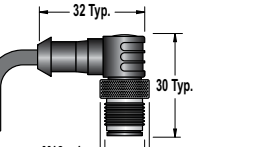
Cable: PVC jacket, PUR (polyurethane) connector body, nickel-plated brass coupling nut
Conductors: 20 AWG, gold-plated contacts
Voltage/Current Rating: 250V ac/dc, 4.0 A
Temperature: -40° to +105° C **Environmental Rating:** IP67

Style	Length	Model	Cable Diameter	Dimensions (mm)	Pinout	Used With
Straight	1.83 m	MQD9-406	5.20 mm		 <p>Female</p> <p>1 = Brown 2 = Blue</p>	• MINI-BEAM & Q45 NAMUR sensors
	4.57 m	MQD9-415				
	9.14 m	MQD9-430				
Right-Angle	1.83 m	MQD9-406RA	5.20 mm		 <p>Female</p> <p>1 = Brown 2 = Blue</p>	• MINI-BEAM & Q45 NAMUR sensors
	4.57 m	MQD9-415RA				
	9.14 m	MQD9-430RA				

- Accessories
- Brackets
- Cordsets
- Retroreflectors
- Miscellaneous
- Reference

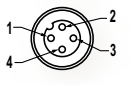

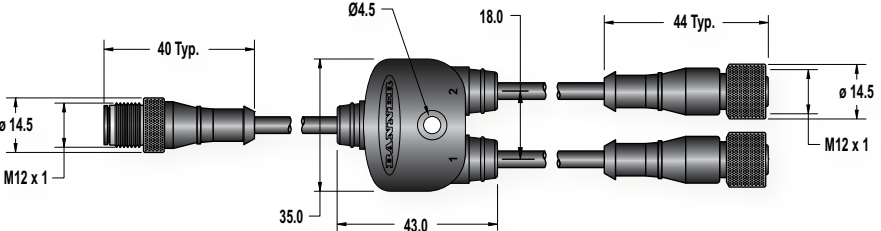
4-Pin Threaded M12/Euro-Style Cordsets – Double Ended

Cable: PVC jacket, PUR (polyurethane) connector body, nickel-plated brass coupling nut
 Conductors: 22 AWG, gold-plated contacts
 Voltage/Current Rating: 250V ac/dc, 4.0 A
 Temperature: -40° to +105° C Environmental Rating: IP67

Style	Length	Model	Cable Diameter	Dimensions (mm)	Pinout	Used With
Male Straight/ Female Straight	0.31 m	MQDEC-401SS	5.90 mm		<p>Female</p>  <p>Male</p>  <p>1 = Brown 2 = White 3 = Blue 4 = Black</p>	<ul style="list-style-type: none"> • M12 • QS18 • Q20 • OMNI-BEAM (QDH suffix) • Q45 dc sensors (Q5 suffix) • MINI-BEAM dc SM312 sensors • S18, M18, T18, Q25, S30, T30, Q40 • QM42/QMT42 • SLM • R58A • T30UX • T18U • TL50 • TL30F • K50 • K80 • PVA • VTB and STB • EZ-LIGHT • WL50 • WLS28
	0.91 m	MQDEC-403SS				
	1.83 m	MQDEC-406SS				
	3.66 m	MQDEC-412SS				
	6.10 m	MQDEC-420SS				
	9.14 m	MQDEC-430SS				
	15.2 m	MQDEC-450SS				
Male Right-Angle/ Female Straight	0.91 m	MQDEC-403RS	5.90 mm		<p>1 = Brown 2 = White 3 = Blue 4 = Black</p>	<ul style="list-style-type: none"> • VTB and STB • EZ-LIGHT • WL50 • WLS28
	1.83 m	MQDEC-406RS				
	3.66 m	MQDEC-412RS				
	6.10 m	MQDEC-420RS				
	9.14 m	MQDEC-430RS				
	15.2 m	MQDEC-450RS				

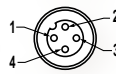

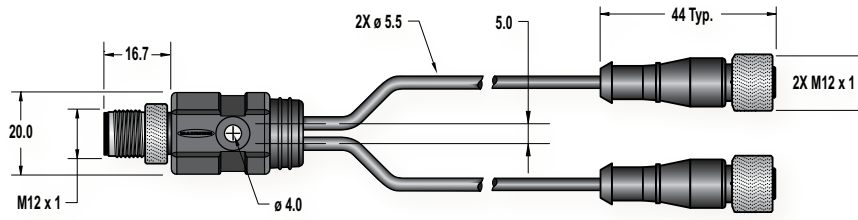
4-Pin Threaded M12/Euro-Style Splitter Cordsets – Flat Junction

Cable: PVC jacket, PUR (polyurethane) connector body, nickel-plated brass coupling nut
 Conductors: 22 AWG, gold-plated contacts
 Voltage/Current Rating: 250V ac/300V dc, 4.0A
 Temperature: -40° to +105° C Environmental Rating: IP67
 Wiring: Parallel wired Y-cord

Connections				Cable Diameter	Pinout	Used With
Model	Branches (Female)	Trunk (Male)				
CSB-M1240M1240	No branch	No trunk	5.50 mm	<p>Female</p>  <p>Male</p>  <p>1 = Brown 2 = White 3 = Blue 4 = Black</p>	<ul style="list-style-type: none"> • Sensors w/4-Pin Euro QD • EZ-LIGHT • DX80 (10 to 30V dc) • DX85 • WLS28 	
CSB-M1240M1241	2 x 0.30 m	No trunk				
CSB-M1241M1241		0.30 m				
CSB-M1248M1241		2.50 m				
CSB-M12415M1241		4.60 m				
CSB-M12425M1241		7.60 m				
CSB-UNT425M1241		7.60 m Unterminated				
Dimensions (mm)						
						

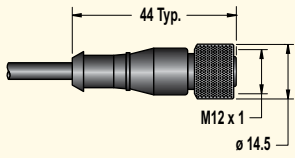
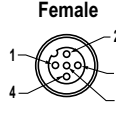
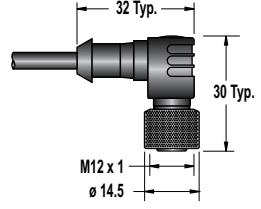
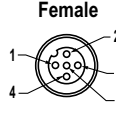
4-Pin Threaded M12/Euro-Style Splitter Cordsets – Rounded Junction

Cable: PVC jacket, PUR (polyurethane) connector body, nickel-plated brass coupling nut
Conductors: 22 AWG, gold-plated contacts
Voltage/Current Rating: 60V ac/75V dc, 2.0A
Temperature: -40° to +105° C **Environmental Rating:** IP67
Wiring: Parallel wired Y-cord

Connections					
Model	Branches (Female)	Trunk (Male)	Cable Diameter	Pinout	Used With
CSRB-M1240M1241	0.31 m	No Trunk	5.50 mm	<p>Female</p>  <p>Male</p>  <p>1 = Brown 2 = White 3 = Blue 4 = Black</p>	<ul style="list-style-type: none"> • Sensors w/4-Pin Euro QD • EZ-LIGHT
CSRB-M1240M1242	0.61 m				
CSRB-M1240M1243	0.91 m				
CSRB-M1240M1244	1.22 m				
Dimensions (mm)					
					

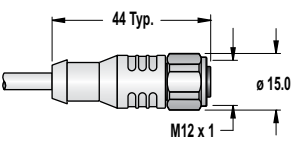
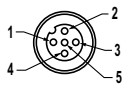
5-Pin Threaded M12/Euro-Style Cordsets

Cable: PVC jacket, PUR (polyurethane) connector body, nickel-plated brass coupling nut
Conductors: 22 AWG, gold-plated contacts
Voltage/Current Rating: 250V ac/dc, 4.0 A
Temperature: -40° to +105° C **Environmental Rating:** IP67

Style	Length	Model	Cable Diameter	Dimensions (mm)	Pinout	Used With
Straight	0.50 m	MQDC1-501.5	5.60 mm		<p>Female</p>  <p>1 = Brown 2 = White 3 = Blue 4 = Black 5 = Gray</p>	<ul style="list-style-type: none"> • MINI-BEAM <i>Expert</i> • QS30 • PicoDot • Q45 Laser Retro • R55F • SL30 & SL30E • SL10 & SL10E • VTB (2-color) • QL56 • Q60 • PVD • STB • K50 • K80 • DX80 • DX81 • DX85 • EZ-LIGHT • STB w/em relay • High-Intensity Area Lights • High-Intensity Ring Lights • Sealed Backlights
	1.83 m	MQDC1-506				
	4.57 m	MQDC1-515				
	9.14 m	MQDC1-530				
Right-Angle	1.83 m	MQDC1-506RA	5.60 mm		<p>Female</p>  <p>1 = Brown 2 = White 3 = Blue 4 = Black 5 = Gray</p>	<ul style="list-style-type: none"> • MINI-BEAM <i>Expert</i> • QS30 • PicoDot • Q45 Laser Retro • R55F • SL30 & SL30E • SL10 & SL10E • VTB (2-color) • QL56 • Q60 • PVD • STB • K50 • K80 • DX80 • DX81 • DX85 • EZ-LIGHT • STB w/em relay • High-Intensity Area Lights • High-Intensity Ring Lights • Sealed Backlights
	4.57 m	MQDC1-515RA				
	9.14 m	MQDC1-530RA				

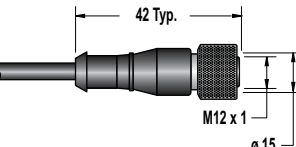
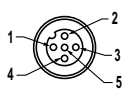
5-Pin Threaded M12/Euro-Style Cordsets – Washdown

Cable: Polypropylene jacket and connector body, stainless steel coupling nut
Conductors: 22 AWG, gold-plated contacts
Voltage/Current Rating: 250V ac/dc, 4.0 A
Temperature: -40° to +105° C **Environmental Rating:** IP68

Style	Length	Model	Cable Diameter	Dimensions (mm)	Pinout	Used With
Straight	1.83 m	MQDCWD-506	4.50 mm		Female  1 = Brown 2 = White 3 = Blue 4 = Black 5 = Gray	• M25U
	9.14 m	MQDCWD-530				

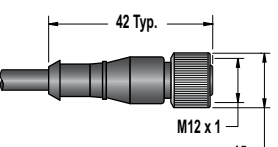
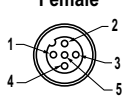
5-Pin Threaded M12/Euro-Style Cordsets

Cable: PVC jacket, PUR (polyurethane) connector body, nickel-plated brass coupling nut
Conductors: 20 AWG, gold-plated contacts
Voltage/Current Rating: 250V ac/dc, 4.0 A
Temperature: -40° to +105° C **Environmental Rating:** IP67

Style	Length	Model	Cable Diameter	Dimensions (mm)	Pinout	Used With
Straight	1.83 m	MQDC20-506	6.00 mm		Female  1 = Brown 2 = White 3 = Blue 4 = Black 5 = Gray	<ul style="list-style-type: none"> • High Intensity Area Lights • High Intensity Ring Lights • Sealed Linear Array Lights • Sealed Backlights NOTE: Except stainless steel models
	4.57 m	MQDC20-515				
	9.14 m	MQDC20-530				

5-Pin Threaded M12/Euro-Style Cordsets

Cable: PVC jacket, PUR (polyurethane) connector body, 316 stainless steel coupling nut
Conductors: 20 AWG, gold-plated contacts
Voltage/Current Rating: 250V ac/dc, 4.0 A
Temperature: -40° to +105° C **Environmental Rating:** IP67

Style	Length	Model	Cable Diameter	Dimensions (mm)	Pinout	Used With
Straight	1.83 m	MQDC20SS-506	6.00 mm		Female  1 = Brown 2 = White 3 = Blue 4 = Black 5 = Gray	<ul style="list-style-type: none"> • Sealed High Intensity Area Lights (Stainless Steel) • Sealed Linear Array Lights (Stainless Steel) • Sealed Backlights
	4.57 m	MQDC20SS-515				
	9.14 m	MQDC20SS-530				

5-Pin Threaded M12/Euro-Style Cordsets with Shield

Cable: PVC jacket, PUR (polyurethane) connector body, nickel-plated brass coupling nut
Conductors: 22 AWG (shielded), gold-plated contacts
Voltage/Current Rating: 250V ac/dc, 4.0 A
Temperature: -40° to +105° C **Environmental Rating:** IP67

Style	Length	Model	Cable Diameter	Dimensions (mm)	Pinout	Used With
Straight	1.83 m	MQDEC2-506	5.60 mm		<p>Female</p> <p>1 = Brown 2 = White 3 = Blue 4 = Black 5 = Gray</p>	<ul style="list-style-type: none"> • R58E • QT50U dc sensors • S18U • T30U • M25U • Q45U • Q45UR • LX • QT50R
	4.57 m	MQDEC2-515				
	9.14 m	MQDEC2-530				
	15.2 m	MQDEC2-550				
Right-Angle	1.83 m	MQDEC2-506RA	5.60 mm		<p>Female</p> <p>1 = Brown 2 = White 3 = Blue 4 = Black 5 = Gray</p>	<ul style="list-style-type: none"> • R58E • QT50U dc sensors • S18U • T30U • M25U • Q45U • Q45UR • LX • QT50R
	4.57 m	MQDEC2-515RA				
	9.14 m	MQDEC2-530RA				
	15.2 m	MQDEC2-550RA				

5-Pin Threaded M12/Euro-Style Cordsets with Green/Yellow Ground Wire

Cable: PVC jacket, PUR (polyurethane) connector body, nickel-plated brass coupling nut
Conductors: 22 AWG, gold-plated contacts
Voltage/Current Rating: 250V ac/dc, 4.0 A
Temperature: -40° to +105° C **Environmental Rating:** IP67

Style	Length	Model	Cable Diameter	Dimensions (mm)	Pinout	Used With
Straight	4.57 m	QDE-515D	5.50 mm		<p>Female</p> <p>1 = Brown 2 = White 3 = Blue 4 = Black 5 = Green/Yellow</p>	<ul style="list-style-type: none"> • EZ-SCREEN w/4-pin or 5-pin QD (14 & 30 mm Resolution)
	7.62 m	QDE-525D				
	15.2 m	QDE-550D				
	22.9 m	QDE-575D				
	30.5 m	QDE-5100D				

5-Pin Threaded M12/Euro-Style Cordsets – Double Ended

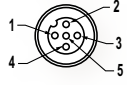

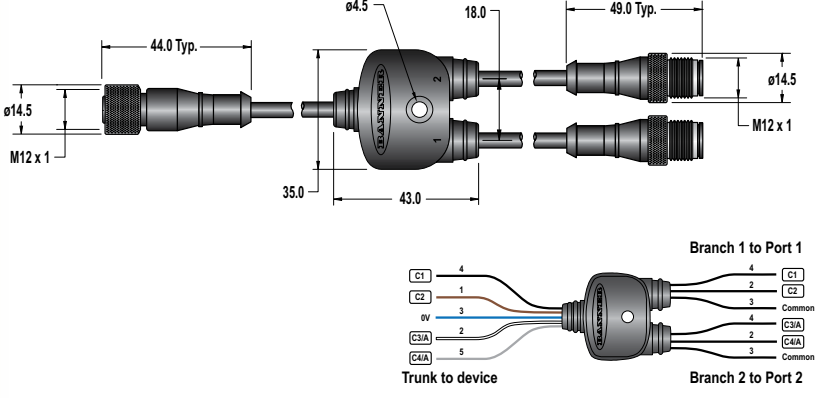
Cable: PVC jacket, PUR (polyurethane) connector body, nickel-plated brass coupling nut
Conductors: 22 AWG, gold-plated contacts
Voltage/Current Rating: 60V ac/75V dc, 2.0 A
Temperature: -40° to +105° C **Environmental Rating:** IP67

Style	Length	Model	Cable Diameter	Dimensions (mm)	Pinout	Used With
Female Straight/ Male Straight	0.31 m	DEE2R-51D	5.60 mm		<p>Female</p> <p>Male</p> <p>1 = Brown 2 = White 3 = Blue 4 = Black 5 = Green/Yellow</p>	<ul style="list-style-type: none"> • MINI-BEAM Expert • QS30 • PicoDot • Q45 Laser Retro • R55F • SL30 & SL30E • SL10 & SL10E • SLC1 • Q60 • PVD • STB • VTB (2-color) • DX85 • DX81 • EZ-SCREEN w/4-pin or 5-pin QD (14 & 30 mm Resolution) • AC Interface Boxes
	0.91 m	DEE2R-53D				
	2.44 m	DEE2R-58D				
	4.57 m	DEE2R-515D				
	7.62 m	DEE2R-525D				
	15.2 m	DEE2R-550D				
	22.9 m	DEE2R-575D				
	30.5 m	DEE2R-5100D				

5-Pin Threaded M12/Euro-Style to 4-Pin Threaded M12/Euro Style Combiner Cordset—Flat Junction

Cable: PVC jacket, PUR (polyurethane) connector body, nickel-plated brass coupling nuts
Conductor: 22 AWG, gold-plated contacts
Voltage/Current Rating: 250V ac/300V dc, 4.0 A
Temperature: -40° to +105° C **Environmental Rating:** IP67
Wiring: Combiner Y-cord

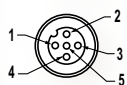
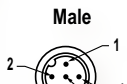
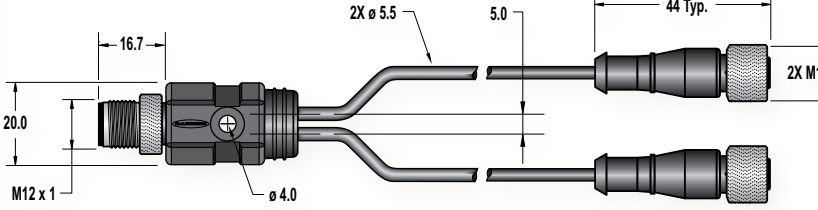
Connections

Model	Branches (Male)	Trunk (Female)	Cable Diameter	Pinout	Used With																		
CSF-M12F51M12M41	4-pin Euro QD 2 x 0.31 m	5-pin Euro QD 0.31 m	5.50 mm	<p>Female</p>  <p>Male</p> 	<ul style="list-style-type: none"> • 3 or 4 Segmented EZ-LIGHT Tower Lights • 3 or 4 function TL50 Tower Lights <p>NOTE: Use to connect device to a "2-output" I/O block</p>																		
Dimensions (mm)																							
																							
<table style="width: 100%; border: none;"> <thead> <tr> <th style="text-align: left;">Trunk</th> <th style="text-align: left;">Branch 1</th> <th style="text-align: left;">Branch 2</th> </tr> </thead> <tbody> <tr> <td>1 = Brown</td> <td>1 = NC</td> <td>1 = NC</td> </tr> <tr> <td>2 = White</td> <td>2 = Brown</td> <td>2 = Gray</td> </tr> <tr> <td>3 = Blue</td> <td>3 = Blue</td> <td>3 = Blue</td> </tr> <tr> <td>4 = Black</td> <td>4 = Black</td> <td>3 = Blue</td> </tr> <tr> <td>5 = Gray</td> <td></td> <td>4 = White</td> </tr> </tbody> </table>						Trunk	Branch 1	Branch 2	1 = Brown	1 = NC	1 = NC	2 = White	2 = Brown	2 = Gray	3 = Blue	3 = Blue	3 = Blue	4 = Black	4 = Black	3 = Blue	5 = Gray		4 = White
Trunk	Branch 1	Branch 2																					
1 = Brown	1 = NC	1 = NC																					
2 = White	2 = Brown	2 = Gray																					
3 = Blue	3 = Blue	3 = Blue																					
4 = Black	4 = Black	3 = Blue																					
5 = Gray		4 = White																					

5-Pin Threaded M12/Euro-Style Splitter Cordset—Rounded Junction

Cable: PVC jacket, PUR (polyurethane) connector body, nickel-plated brass coupling nut
Conductor: 22 AWG, gold-plated contacts
Voltage/Current Rating: 60V ac/75V dc, 2.0 A
Temperature: -40° to +105° C **Environmental Rating:** IP67
Wiring: Parallel wired Y-cord

Connections

Model	Branches (Female)	Trunk (Male)	Cable Diameter	Pinout	Used With					
CSRB-M1250M125.47M125.73	Branch 1 0.14 m Branch 2 0.22 m	No trunk	5.60 mm	<p>Female</p>  <p>Male</p> 	<ul style="list-style-type: none"> • EZ-LIGHTs w/5-Pin Euro QD • DX80 (FlexPower) 					
Dimensions (mm)										
										
<table style="width: 100%; border: none;"> <tbody> <tr> <td>1 = Brown</td> </tr> <tr> <td>2 = White</td> </tr> <tr> <td>3 = Blue</td> </tr> <tr> <td>4 = Black</td> </tr> <tr> <td>5 = Green/Yellow</td> </tr> </tbody> </table>						1 = Brown	2 = White	3 = Blue	4 = Black	5 = Green/Yellow
1 = Brown										
2 = White										
3 = Blue										
4 = Black										
5 = Green/Yellow										

8-Pin Threaded M12/Euro-Style Cordsets with Shield

Cable: PVC jacket, PUR (polyurethane) connector body, nickel-plated brass coupling nut
Conductors: 24 AWG (shielded), gold-plated contacts
Voltage/Current Rating: 75V ac/dc, 2.0 A
Temperature: -40° to +105° C **Environmental Rating:** IP67

Style	Length	Model	Cable Diameter	Dimensions (mm)	Pinout	Used With
Straight	1.83 m	MQDC-806	5.60 mm		Female 1 = White 5 = Gray 2 = Brown 6 = Pink 3 = Green 7 = Blue 4 = Yellow 8 = Shield	<ul style="list-style-type: none"> • LT3 • LG5 • LG10
	4.58 m	MQDC-815				
	9.14 m	MQDC-830				

8-Pin Threaded M12/Euro-Style Cordsets with Shield

Cable: PVC jacket, PUR (polyurethane) connector body, nickel-plated brass coupling nut
Conductors: 24 AWG (shielded), gold-plated contacts
Voltage/Current Rating: 75V ac/dc, 2.0 A
Temperature: -40° to +105° C **Environmental Rating:** IP67

Style	Length	Model	Cable Diameter	Dimensions (mm)	Pinout	Used With
Straight	1.83 m	MAQDC-806	5.60 mm		Female 1 = White 5 = Gray 2 = Brown 6 = Pink 3 = Green 7 = Blue 4 = Yellow 8 = Red	<ul style="list-style-type: none"> • EZ-ARRAY Emitters/Receivers
	4.58 m	MAQDC-815				
	9.14 m	MAQDC-830				
	15.2 m	MAQDC-850				

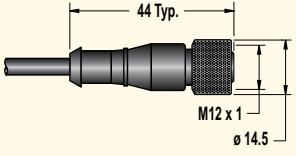
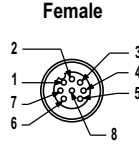
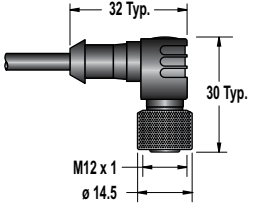
8-Pin Threaded M12/Euro-Style Cordsets with Shield

Cable: PVC jacket, PUR (polyurethane) connector body, nickel-plated brass coupling nut
Conductors: 24 AWG (shielded), gold-plated contacts
Voltage/Current Rating: 60V ac/75V dc, 2.0 A
Temperature: -40° to +80° C **Environmental Rating:** IP67

Style	Length	Model	Cable Diameter	Dimensions (mm)	Pinout	Used With
Straight	1.83 m	MQLH-806-F	6.00 mm		Female 1 = White 5 = Gray 2 = Brown 6 = Green 3 = Shield 7 = Blue 4 = Yellow 8 = Shield	<ul style="list-style-type: none"> • LH
	4.58 m	MQLH-815-F				
	9.14 m	MQLH-830-F				

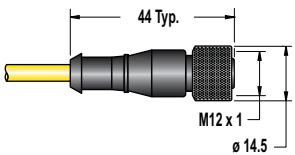
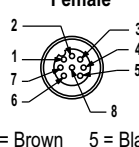
8-Pin Threaded M12/Euro-Style Cordsets with Open-Shield

Cable: PVC jacket, PUR (polyurethane) connector body, nickel-plated brass coupling nut
Conductors: 24 AWG (shielded), gold-plated contacts
Voltage/Current Rating: 75V ac/dc, 2.0 A
Temperature: -40° to +105° C **Environmental Rating:** IP67

Style	Length	Model	Cable Diameter	Dimensions (mm)	Pinout	Used With
Straight	1.83 m	MQDC2S-806	5.60 mm		Female 	<ul style="list-style-type: none"> • QC50 • QCX50 • EZ-LIGHT • iVu TG—Integrated Touch Screen models
	4.57 m	MQDC2S-815				
	9.14 m	MQDC2S-830				
	15.2 m	MQDC2S-850				
Right-Angle	1.83 m	MQDC2S-806RA	5.60 mm		1 = White 2 = Brown 3 = Green 4 = Yellow 5 = Gray 6 = Pink 7 = Blue 8 = Red	
	4.57 m	MQDC2S-815RA				
	9.14 m	MQDC2S-830RA				
	15.2 m	MQDC2S-850RA				

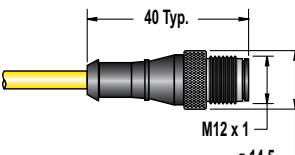
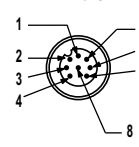
8-Pin Threaded M12/Euro-Style Cordsets

Cable: PVC jacket, PUR (polyurethane) connector body, nickel-plated brass coupling nut
Conductors: 22 AWG, gold-plated contacts
Voltage/Current Rating: 75V ac/dc, 2.0 A
Temperature: -40° to +105° C **Environmental Rating:** IP67

Style	Length	Model*	Cable Diameter	Dimensions (mm)	Pinout	Used With
Straight	4.57 m	QDE-815D	6.00 mm		Female 	<ul style="list-style-type: none"> • EZ-SCREEN w/8-pin QD (14 & 30 mm Resolution) • EZ-SCREEN LP w/8-pin QD (14 & 25 mm Resolution) • EZ-SCREEN w/8-pin QD (Point & Grid) • EZ-SCREEN Type 2
	7.62 m	QDE-825D				
	15.3 m	QDE-850D				
	22.9 m	QDE-875D				
	30.5 m	QDE-8100D				

8-Pin Threaded M12/Euro-Style Cordsets

Cable: PVC jacket, PUR (polyurethane) connector body, nickel-plated brass coupling nut
Conductors: 22 AWG, gold-plated contacts
Voltage/Current Rating: 60V ac/75V dc, 2.0 A
Temperature: -40° to +105° C **Environmental Rating:** IP67

Style	Length	Model*	Cable Diameter	Dimensions (mm)	Pinout	Used With
Straight	4.57 m	QDE2R4-815D	5.50 mm		Male 	<ul style="list-style-type: none"> • EZ-SCREEN Receiver (Cascade) CSSI QD (14 & 30 mm) • EZ-SCREEN LP Receiver (Cascade) CSSI QD and a DELPEF-810 (14 & 25 mm) NOTE: For connection of E-Stop or other hard/relay contacts.
	7.62 m	QDE2R4-825D				
	15.2 m	QDE2R4-850D				

* Standard cordsets are yellow PVC with black overmold. For black PVC and overmold, add suffix **B** to model number (example, DEE2R-81DB)

8-Pin Threaded M12/Euro-Style Cordsets with Shield – Double Ended

Cable: PVC jacket, PUR (polyurethane) connector body, nickel-plated brass coupling nut
Conductors: 24 AWG (shielded), gold-plated contacts
Voltage/Current Rating: 60V ac/75V dc, 2.0 A
Temperature: -40° to +105° C **Environmental Rating:** IP67

Style	Length	Model	Cable Diameter	Dimensions (mm)	Pinout	Used With
Male Straight/ Female Straight	1.83 m	MQLH-806-MF	6.00 mm			• LH
	4.57 m	MQLH-815-MF				
	9.14 m	MQLH-830-MF				
Male Straight/ Male Straight	0.30 m	MQLH-801-MM	6.00 mm		<p>1 = White 5 = Gray 2 = Brown 6 = Green 3 = Shield 7 = Blue 4 = Yellow 8 = Shield</p>	

- Accessories
- Brackets
- Cordsets
- Retroreflectors
- Miscellaneous
- Reference

8-Pin Threaded M12/Euro-Style Cordsets – Double Ended

Cable: PVC jacket, PUR (polyurethane) connector body, nickel-plated brass coupling nut
Conductors: 22 AWG, gold-plated contacts
Voltage/Current Rating: 60V ac/75V dc, 2.0 A
Temperature: -40° to +105° C **Environmental Rating:** IP68

Style	Length	Model*			Cable Diameter	Dimensions (mm)	Pinout	Used With
		8-pin/ 8-pin	8-pin/ 4-pin†	8-pin/ 5-pin**				
Female Straight/ Male Straight	0.31 m	DEE2R-81D	DEE8-41D	DEE8-51D	6.00 mm			<ul style="list-style-type: none"> • EZ-SCREEN w/8-pin QD (14 & 30 mm Resolution) • EZ-SCREEN LP w/8-pin QD (14 & 25 mm Resolution) • EZ-SCREEN w/8-pin QD (Point & Grid) • EZ-SCREEN Type 2 (DEE2R only) • AC Interface Boxes (DEE2R only)
	0.91 m	DEE2R-83D	DEE8-48D	DEE8-58D				
	2.44 m	DEE2R-88D	DEE8-415D	DEE8-515D				
	4.57 m	DEE2R-815D	DEE8-425D	DEE8-525D				
	7.62 m	DEE2R-825D	—	—				
	15.2 m	DEE2R-850D	—	—				
	22.9 m	DEE2R-875D	—	—				
	30.5 m	DEE2R-8100D	—	—				

* Standard cordsets are yellow PVC with black overmold. For black PVC and overmold, add suffix **B** to model number (example, **DEE2R-81DB**)

** For connection to safety BUS gateway/node, a "smart" self-monitored safety module, safety controller or safety PLC.

† DEE8-4..D do not have the pin 5 GND/chassis connection. GND/chassis connection should be made via the mounting hardware.

8-Pin Threaded M12/Euro-Style Splitter Cordsets with Shield—Flat Junction

Cable: PVC jacket, PUR (polyurethane) connector body, nickel-plated brass coupling nut

Conductors: 24 AWG (shielded), gold-plated contacts

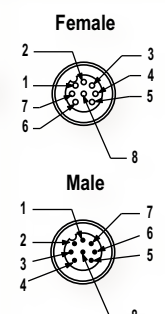
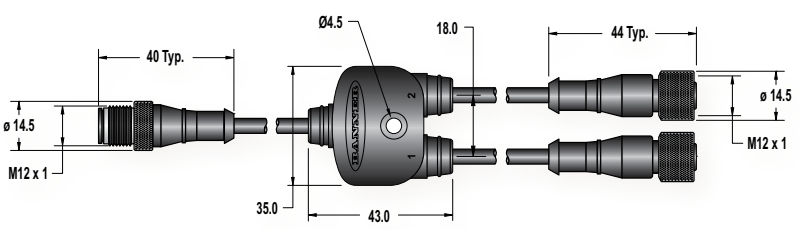
Voltage/Current Rating: 60V ac/75V dc, 2.0 A

Temperature: -40° to +80° C

Environmental Rating: IP67

Wiring: Parallel wired Y-cord

Connections

Model	Branches (Female)	Trunk (Male)	Cable Diameter	Pinout	Used With
CSB-M1280M1280-LH	No branches	No trunk	6.00 mm		• LH
CSB-M1281M1282-LH	0.60 m	0.30 m			
Dimensions (mm)					
					

8-Pin Threaded M12/Euro-Style Splitter Cordsets with Shield—Flat Junction

Cable: PVC jacket, PUR (polyurethane) connector body, nickel-plated brass coupling nut

Conductors: 24 AWG (shielded), gold-plated contacts

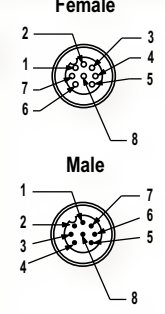
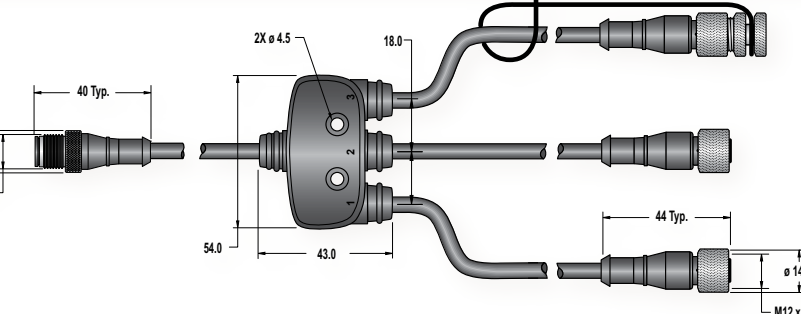
Voltage/Current Rating: 60V ac/75V dc, 2.0 A

Temperature: -40° to +150° C

Environmental Rating: IP67

Wiring: Parallel wired Y-cord

Connections

Model	Branches (Female)	Trunk (Male)	Cable Diameter	Pinout	Used With
CSB3-M1281M1282-LH	0.60 m	0.30 m	6.00 mm		• LH
Dimensions (mm)					
					

8-Pin Threaded M12/Euro-Style Splitter Cordsets—Flat Junction

Cable: PVC jacket, PUR (polyurethane) connector body, nickel-plated brass coupling nut
Conductors: 22 AWG, gold-plated contacts
Voltage/Current Rating: 60V ac/75V dc, 2.0 A
Temperature: -40° to +105° C **Environmental Rating:** IP68
Wiring: Parallel wired Y-cord

Connections						
Model	Branches (Female)	Trunk (Male)	Cable Diameter	Pinout	Used With	
CSB-M1280M1280	No branches	No trunk	6.00 mm	<p>Female 1 2 3 4 5 6 7 8</p> <p>Male 1 2 3 4 5 6 7 8</p> <p>1 = Brown 5 = Black 2 = Or/Bk 6 = Blue 3 = Orange 7 = Gn/Ye 4 = White 8 = Violet</p>	<ul style="list-style-type: none"> EZ-ARRAY EZ-LIGHT Indicator Lights EZ-SCREEN w/8-pin QD (14 & 30 mm Resolution) EZ-SCREEN LP w/8-pin QD (14 & 25 mm Resolution) EZ-SCREEN w/8-pin QD (Point & Grid) EZ-SCREEN Type 2 AC Interface Boxes 	
CSB-M1281M1281	2 x 0.3 m	0.3 m				
CSB-M1288M1281		2.5 m				
CSB-M12815M1281		4.6 m				
CSB-M12825M1281		7.6 m				
CSB-UNT825M1281*		7.6 m Unterminated				
Dimensions (mm)						

* Standard cordsets are yellow PVC with black overmold. For black PVC and overmold, add suffix **B** to model number (example, **CSB-M1280M1280B**).

8-Pin Threaded M12/Euro-Style to USB Cordsets—Double Ended

Cable: PVC jacket, PUR (polyurethane) connector body, nickel-plated brass coupling nut on Euro QD end
Conductors: 28 AWG or 24 AWG, gold-plated contacts
Voltage Rating: 60V ac/75V dc
Temperature: -40° to +90° C

Style	Length	Model	Cable Diameter	Dimensions (mm)	Pinout	Used With
Straight Euro QD/USB	0.15 m	MQDEC-8005-USB	4.80 mm		<p>USB</p>	<ul style="list-style-type: none"> iVu TG & BCR—Integrated Touch Screen models
	0.30 m	MQDEC-801-USB				
	0.90 m	MQDEC-803-USB				
	3.00 m	MQDEC-810-USB				
Right-Angle Euro QD/USB	0.15 m	MQDEC-8005RA-USB	4.80 mm		<p>Male</p>	<ul style="list-style-type: none"> iVu TG & BCR—Integrated Touch Screen models
	0.30 m	MQDEC-801RA-USB				
	0.90 m	MQDEC-803RA-USB				
	3.00 m	MQDEC-810RA-USB				

8-Pin Threaded M12/Euro-Style to Molex Cordsets – Double Ended

Cable: Euro: PVC jacket, PUR (polyurethane) connector body, nickel-plated brass coupling nut
Molex: Nylon (polyamide)/PUR (polyurethane)

Conductors: 24 AWG, gold-plated contacts

Voltage Rating: 30V ac/dc 2.0 A

Temperature: -40° to +105° C **Environmental Rating:** IP67

Style	Length	Model	Cable Diameter	Dimensions (mm)	Pinout	Used With
Straight Euro QD/ Molex	0.91 m	IVURD-MX-803	6.10 mm		<p>Molex</p> <p>Male</p> <p>1 = Orange 5 = Green 2 = Brown 6 = Blue 3 = Wh/Bn 7 = Wh/Or 4 = Wh/Bl 8 = Wh/Gn</p>	<ul style="list-style-type: none"> • iVu RD35 remote display
	1.83 m	IVURD-MX-806				
	4.57 m	IVURD-MX-815				
	9.14 m	IVURD-MX-830				
	15.2 m	IVURD-MX-850				
Right-Angle Euro QD/ Molex	0.91 m	IVURD-MX-803RA	6.10 mm		<p>Molex</p> <p>Male</p> <p>1 = Orange 5 = Green 2 = Brown 6 = Blue 3 = Wh/Bn 7 = Wh/Or 4 = Wh/Bl 8 = Wh/Gn</p>	<ul style="list-style-type: none"> • iVu RD35 remote display
	1.83 m	IVURD-MX-806RA				
	4.57 m	IVURD-MX-815RA				
	9.14 m	IVURD-MX-830RA				
	15.2 m	IVURD-MX-850RA				

8-Pin Threaded M12/Euro-Style QD to RD Cordsets

Cable: Euro: PVC jacket, PUR (polyurethane) connector body, nickel-plated brass coupling nut

RD: Nylon (polyamide)/PUR (polyurethane) RD connector

Conductors: 22 AWG, gold-plated contacts

Voltage/Current Rating: 60V ac/75V dc, 2.0 A

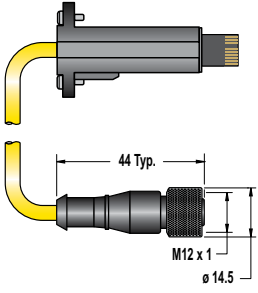

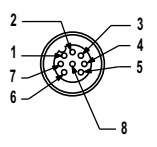
Temperature: 0° to +55° C **Environmental Rating:** IP67

Style	Length	Model*	Cable Diameter	Dimensions (mm)	Pinout	Used With
RD/ Male Straight	0.31 m	DELPE-81D	6.00 mm		<p>RD</p> <p>Male</p> <p>1 = Brown 5 = Black 2 = Or/Bk 6 = Blue 3 = Orange 7 = Gn/Ye 4 = White 8 = Violet</p>	<ul style="list-style-type: none"> • EZ-SCREEN LP w/RD (14 & 25 mm Resolution) <p>NOTE: Requires QDE-8...D, DEE2R-8..D, CSB-M128... or other M12/Euro QD cordset</p>
	0.91 m	DELPE-83D				
	2.44 m	DELPE-88D				
	4.57 m	DELPE-815D				
	7.62 m	DELPE-825D				
	15.2 m	DELPE-850D				
	22.9 m	DELPE-875D				
	30.5 m	DELPE-8100D				

* Standard cordsets are yellow PVC with black overmold. For black PVC cable and overmold, add suffix **B** to model number (example, **DELPE-81DB**).

8-Pin Threaded M12/Euro-Style QD to RD Cordsets

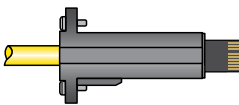

Cable: Euro: PVC jacket, PVC connector body, nickel-plated brass coupling nut
 RD: Nylon (polyamide)/PUR (polyurethane) RD connector
Conductors: 22 AWG, gold-plated contacts
Voltage/Current Rating: 60V ac/75V dc, 2.0 A
Temperature: 0° to +55° C **Environmental Rating:** IP67

Style	Length	Model*	Cable Diameter	Dimensions (mm)	Pinout	Used With
RD/ Female Straight	0.31 m	DELPEF-81D	6.00 mm		<p>RD</p>  <p>Female</p>  <p>1 = Brown 5 = Black 2 = Or/Bk 6 = Blue 3 = Orange 7 = Gn/Ye 4 = White 8 = Violet</p>	<ul style="list-style-type: none"> EZ-SCREEN LP (Cascade) w/RD (14 & 25 mm); requires QDE2R4-8...D cordset or connection of E-stop or other hard/relay contact; for connection to DEE2R-8..D or to EZ-SCREEN LP w/8-pin QD
	0.91 m	DELPEF-83D				
	2.44 m	DELPEF-88D				
	4.57 m	DELPEF-815D				

- Accessories
- Brackets
- Cordsets
- Retroreflectors
- Miscellaneous
- Reference

RD to Flying Lead Cordsets

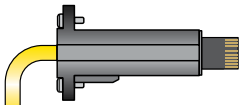

Cable: PVC jacket, nylon (polyamide)/PUR (polyurethane) RD connector
Conductors: 22 AWG, gold-plated contacts
Voltage/Current Rating: 60V ac/75V dc, 2.0 A
Temperature: 0° to +55° C **Environmental Rating:** IP67

Style	Length	Model*		Cable Diameter	Dimensions (mm)	Pinout	Used With
		8 wire	4 wire†				
RD	4.57 m	RDLP-815D	RDPL6G-415D	6.00 mm		<p>RD</p> 	<ul style="list-style-type: none"> EZ-SCREEN LP w/RD (14 & 25 mm Resolution)
	7.62 m	RDLP-825D	RDPL6G-425D				
	15.2 m	RDLP-850D	RDPL6G-450D				
	22.9 m	RDLP-875D	—				
	30.5 m	RDLP-8100D	—				

† For connection of E-Stop or other hard/relay contacts. See EZ-SCREEN installation manual p/n 140044 for more information.

RD to RD Cordsets

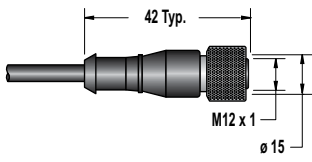
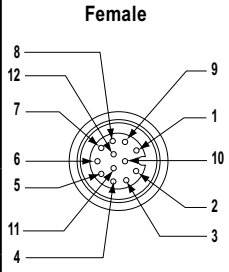
Cable: PVC jacket, nylon (polyamide)/PUR (polyurethane) RD connector
Conductors: 22 AWG, gold-plated contacts
Voltage/Current Rating: 60V ac/75V dc, 2.0 A
Temperature: 0° to +55° C **Environmental Rating:** IP67

Style	Length	Model*	Cable Diameter	Dimensions (mm)	Pinout	Used With
RD/RD	0.05 m	DELPL-110E	6.00 mm		<p>RD</p> 	<ul style="list-style-type: none"> EZ-SCREEN LP w/RD Cascading (14 & 25 mm Resolution)
	0.30 m	DELPL-111E				
	0.91 m	DELPL-113E				
	2.44 m	DELPL-118E				
	4.57 m	DELPL-1115E				
	7.62 m	DELPL-1125E				
	15.2 m	DELPL-1150E				
	22.9 m	DELPL-1175E				
	30.5 m	DELPL-11100E				

* Standard cordsets are yellow PVC with black overmold. For black PVC cable and overmold, add suffix **B** to model number (example, DELPL-110EB).

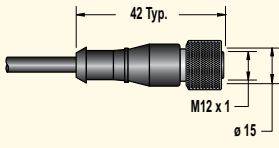
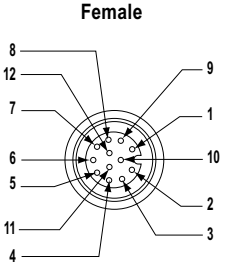
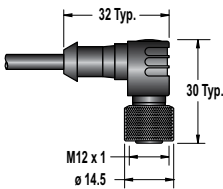
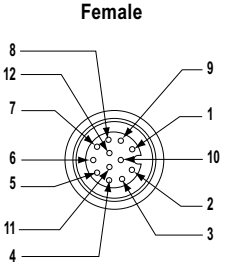
12-Pin M12/Euro-Style Cordsets with Open Shield

Cable: PVC jacket, PUR (polyurethane) connector body, nickel-plated brass coupling nut
Conductors: 20 and 24 AWG, gold-plated contacts
Voltage Rating: 250V ac/300V dc
Temperature: -40° to +105° C **Environmental Rating:** IP67

Style	Length	Model	Cable Diameter	Dimensions (mm)	Pinout	Used With
Straight	1.83 m	MQDC2S-1206	7.50 mm		<p>Female</p>  <p>1 = White 7 = Blue 2 = Brown 8 = Red 3 = Green 9 = Orange 4 = Yellow 10 = Lt. Blue 5 = Gray 11 = Black 6 = Pink 12 = Violet</p>	<ul style="list-style-type: none"> • IP68 Sealed P4 • iVu BCR—Integrated Touch Screen models • iVu Plus <p>(For CE compliance)</p>
	4.57 m	MQDC2S-1215				
	9.14 m	MQDC2S-1230				
	15.2 m	MQDC2S-1250				
	22.9 m	MQDC2S-1275				

12-Pin M12/Euro-Style Cordsets

Cable: PVC jacket, PUR (polyurethane) connector body, nickel-plated brass coupling nut
Conductors: 24, 20 AWG, gold-plated contacts
Voltage Rating: 300V ac/dc, 2.0,7.0 A
Temperature: -40° to +105° C **Environmental Rating:** IP67

Style	Length	Model	Cable Diameter	Dimensions (mm)	Pinout	Used With
Straight	1.83 m	iVUC-1206	7.50 mm		<p>Female</p>  <p>1 = White 7 = Blue 2 = Brown 8 = Red 3 = Green 9 = Orange 4 = Yellow 10 = Lt. Blue 5 = Gray 11 = Black 6 = Pink 12 = Violet</p>	<ul style="list-style-type: none"> • iVu TG—BCR Remote Touch Screen models • iVu BCR—Integrated Touch Screen models • iVu Plus
	4.57 m	iVUC-1215				
	9.14 m	iVUC-1230				
	15.2 m	iVUC-1250				
	22.9 m	iVUC-1275				
Right-Angle	1.83 m	iVUC-1206RA	7.50 mm		<p>Female</p>  <p>1 = White 7 = Blue 2 = Brown 8 = Red 3 = Green 9 = Orange 4 = Yellow 10 = Lt. Blue 5 = Gray 11 = Black 6 = Pink 12 = Violet</p>	<ul style="list-style-type: none"> • iVu TG—BCR Remote Touch Screen models • iVu BCR—Integrated Touch Screen models • iVu Plus
	4.57 m	iVUC-1215RA				
	9.14 m	iVUC-1230RA				
	15.2 m	iVUC-1250RA				
	22.9 m	iVUC-1275RA				

12-Pin Threaded M12/Euro-Style QD to DB15 Cordsets

Style	Length	Model	Cable Diameter	Dimensions (mm)	Pinout	Used With
Straight (High Flex)/DB15	1.83 m	PPC06SHF	7.60 mm			<ul style="list-style-type: none"> • Pro • Mini Pro • Sealed Pro
	3.96 m	PPC13SHF				
	7.01 m	PPC23SHF				
	9.75 m	PPC32SHF				
Right-Angle (High Flex)/DB15	1.83 m	PPC06SRAHF	7.60 mm			<ul style="list-style-type: none"> • Pro • Mini Pro • Sealed Pro
	3.96 m	PPC13SRAHF				
	7.01 m	PPC23SRAHF				
	9.75 m	PPC32SRAHF				

- Accessories
- Brackets
- Cordsets
- Retroreflectors
- Miscellaneous
- Reference

12-Pin M16 Cordsets

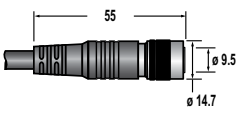
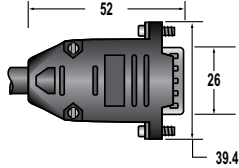
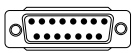
Cable: PVC jacket, nickel-plated brass coupling nut
Conductors: 22 AWG, gold-plated contacts
Voltage/Current Rating: 60V ac/dc, 4.0 A
Temperature: 40° to +80° C **Environmental Rating:** IP67

Style	Length	Model	Cable Diameter	Dimensions (mm)	Pinout	Used With
Straight	3.05 m	MQDC-1210ST	7.60 mm			<ul style="list-style-type: none"> • LT7
	9.14 m	MQDC-1230ST				
	24.4 m	MQDC-1280ST				

12-Pin QD Cordsets

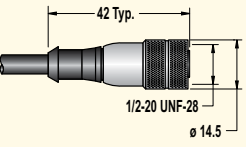

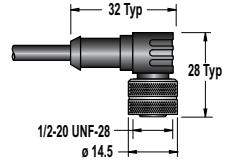
Style	Length	Model	Cable Diameter	Dimensions (mm)	Pinout	Used With
Straight	1.83 m	P4C06	7.70 mm			<ul style="list-style-type: none"> • P4 • PPSIM with terminal strip to P4
	7.01 m	P4C23				
	9.75 m	P4C32				
	15.2 m	P4C50				
	22.9 m	P4C75				
	34.0 m	P4C110				

12-Pin QD to DB15 Cordsets

Style	Length	Model	Cable Diameter	Dimensions (mm)		Pinout	Used With
Straight/ DB15	2.00 m	P4C06SIM	6.9 mm			Female	• P4 to PPSIM
	7.00 m	P4C23SIM				Male	
	10.0 m	P4C32SIM					

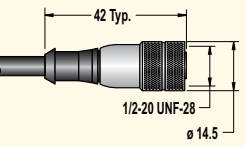
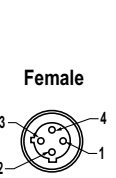
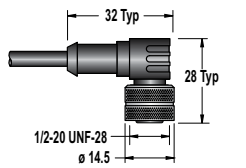
3-Pin Micro-Style Cordsets

Cable: PVC jacket, PUR (polyurethane) connector body, nickel-plated brass coupling nut
Conductors: 22 AWG, gold-plated contacts
Voltage/Current Rating: 250V ac/dc, 4.0 A
Temperature: -40 to +80° C **Environmental Rating:** IP67

Style	Length	Model	Cable Diameter	Dimensions (mm)	Pinout	Used With
Straight	1.83 m	MQDC-306	5.20 mm		Female 	• MINI-BEAM ac SM2A312 sensors
	4.57 m	MQDC-315				
	9.14 m	MQDC-330				
Right-Angle	1.83 m	MQDC-306RA	5.20 mm		Female 1 = Green 2 = Red/Black 3 = Red/White	• MINI-BEAM ac SM2A312 sensors
	4.57 m	MQDC-315RA				
	9.14 m	MQDC-330RA				

4-Pin Micro-Style Cordsets

Cable: PVC jacket, PUR (polyurethane) connector body, nickel-plated brass coupling nut
Conductors: 22 AWG, gold-plated contacts
Voltage/Current Rating: 250V ac/dc, 4.0 A
Temperature: -40° to +105° C **Environmental Rating:** IP67

Style	Length	Model	Cable Diameter	Dimensions (mm)	Pinout	Used With
Straight	1.83 m	MQAC-406	5.70 mm		Female 	• QS18 ac/dc sensors • Q45 ac series (suffix Q1) • S18, M18, T18, Q25, S30, T30 & Q40 ac sensors (suffix Q1) • Q60
	4.57 m	MQAC-415				
	9.14 m	MQAC-430				
Right-Angle	1.83 m	MQAC-406RA	5.70 mm		Female 1 = Red/Black 2 = Red/White 3 = Red 4 = Green	• QS18 ac/dc sensors • Q45 ac series (suffix Q1) • S18, M18, T18, Q25, S30, T30 & Q40 ac sensors (suffix Q1) • Q60
	5.00 m	MQAC-415RA				
	9.14 m	MQAC-430RA				

4-Pin Micro-Style Cordsets

Cable: PVC jacket, PUR (polyurethane) connector body, nickel-plated brass coupling nut
Conductors: 22 AWG, gold-plated contacts
Voltage Rating: 125V ac/150V dc
Temperature: -40° to +80° C **Environmental Rating:** IP67

Style	Length	Model	Cable Diameter	Dimensions (mm)	Pinout	Used With
Straight	1.83 m	MQEAC-406	5.7 mm		<p>Female</p> <p>1 = Red/Black 2 = Red/White 3 = Red 4 = Green</p>	<ul style="list-style-type: none"> • SI-HG80 hinge-style switches
	4.57 m	MQEAC-415				
	9.14 m	MQEAC-430				
Right-Angle	1.83 m	MQEAC-406RA	5.70 mm		<p>Female</p> <p>1 = Red/Black 2 = Red/White 3 = Red 4 = Green</p>	<ul style="list-style-type: none"> • SI-HG80 hinge-style switches
	4.57 m	MQEAC-415RA				
	9.14 m	MQEAC-430RA				

5-Pin Micro-Style Cordsets with Shield

Cable: PVC jacket, PUR (polyurethane) connector body, nickel-plated brass coupling nut
Conductors: 22 AWG with 22 AWG drain wire (shielded), gold-plated contacts
Voltage/Current Rating: 250V ac/dc, 4.0 A
Temperature: -40° to +105° C **Environmental Rating:** IP67

Style	Length	Model	Cable Diameter	Dimensions (mm)	Pinout	Used With
Straight	1.83 m	MQVR3S-506	6.10 mm		<p>Female</p> <p>1 = Brown 2 = White 3 = Yellow 4 = Black 5 = Blue</p>	<ul style="list-style-type: none"> • QT50U ac/dc sensors • EZ-LIGHT ac indicators
	4.57 m	MQVR3S-515				
	9.14 m	MQVR3S-530				
Right-Angle	1.83 m	MQVR3S-506RA	6.10 mm		<p>Female</p> <p>1 = Brown 2 = White 3 = Yellow 4 = Black 5 = Blue</p>	<ul style="list-style-type: none"> • QT50U ac/dc sensors • EZ-LIGHT ac indicators
	4.57 m	MQVR3S-515RA				
	9.14 m	MQVR3S-530RA				

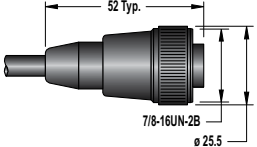

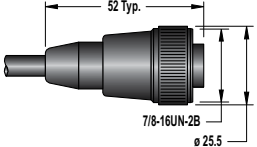
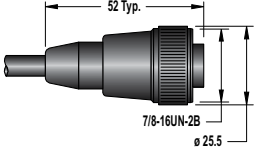
6-Pin Micro-Style Cordsets

Cable: PVC jacket, PUR (polyurethane) connector body, nickel-plated brass coupling nut
Conductors: 22 AWG, gold-plated contacts
Voltage/Current Rating: 125V ac, 4.0 A
Temperature: -40° to +80° C **Environmental Rating:** IP67

Style	Length	Model	Cable Diameter	Dimensions (mm)	Pinout	Used With
Straight	1.83 m	MQEAC-606	5.60 mm		<p>Female</p> <p>1 = Red/White 2 = Red 3 = Green 4 = Red/Yellow 5 = Red/Black 6 = Red/Blue</p>	<ul style="list-style-type: none"> • SI-HG63 hinge-style switches
	4.57 m	MQEAC-615				
	9.14 m	MQEAC-630				
Right-Angle	1.83 m	MQEAC-606RA	5.60 mm		<p>Female</p> <p>1 = Red/White 2 = Red 3 = Green 4 = Red/Yellow 5 = Red/Black 6 = Red/Blue</p>	<ul style="list-style-type: none"> • SI-HG63 hinge-style switches
	4.57 m	MQEAC-615RA				
	9.14 m	MQEAC-630RA				

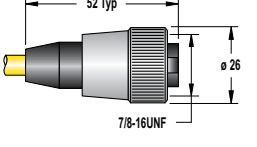
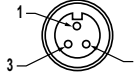
3-Pin Mini-Style Cordsets

Cable: PVC jacket, PUR (polyurethane) connector body, nylon coupling nut
Conductors: 18 AWG, PVC insulation, gold-plated contacts
Voltage/Current Rating: 300V ac/dc, 9.0 A
Temperature: -40° to +80° C **Environmental Rating:** IP67

Style	Length	Model	Cable Diameter	Dimensions (mm)	Pinout	Used With				
Straight	1.83 m	MBCC-306	7.00 mm		Female  1 = Brown 3 = Blue 4 = Black	<ul style="list-style-type: none"> • Q45 • SM30 Intrinsically safe dc sensors 				
	3.66 m	MBCC-312								
	9.14 m	MBCC-330								
Straight	1.83 m	SMICC-306			7.00 mm		1 = Red/Black 3 = Red/White 4 = Green	<ul style="list-style-type: none"> • SM30 2-wire ac sensors 		
	3.66 m	SMICC-312								
	9.14 m	SMICC-330								
Straight	1.83 m	SM30CC-306					7.00 mm		1 = Red/Black 3 = Red/White 4 = Green	<ul style="list-style-type: none"> • SM30 2-wire ac sensors
	3.66 m	SM30CC-312								

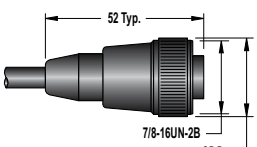

3-Pin Mini-Style Cordsets

Cable: PVC jacket, PUR (polyurethane) connector body, nickel-plated brass coupling nut
Conductors: 18 AWG, PVC insulation, gold-plated contacts
Voltage Rating: 250V ac/300 dc
Temperature: -40° to +80° C **Environmental Rating:** IP67

Style	Length	Model	Cable Diameter	Dimensions (mm)	Pinout	Used With
Straight	4.75 m	QDS-315C	7.00 mm		Female  1 = Green/Ye 2 = Brown 3 = Blue	<ul style="list-style-type: none"> • EZ-SCREEN Emitters w/3-pin QD (Point & Grid)
	7.62 m	QDS-325C				
	15.2 m	QDS-350C				
	22.9 m	QDS-375C				
	30.5 m	QDS-3100C				

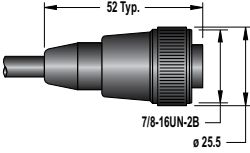
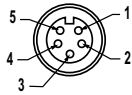
4-Pin Mini-Style Cordsets

Cable: PVC jacket, PUR (polyurethane) connector body, nylon coupling nut
Conductors: 18 AWG, gold-plated contacts
Voltage/Current Rating: 300V ac/dc, 9.0 A
Temperature: -40° to +80° C **Environmental Rating:** IP67

Style	Length	Model	Cable Diameter	Dimensions (mm)	Pinout	Used With
Straight	1.83 m	MBCC-406	7.00 mm		Female  1 = Brown 2 = White 3 = Blue 4 = Black	<ul style="list-style-type: none"> • Q45 dc sensors (suffix Q) • OMNI-BEAM dc power blocks • SM30 dc sensors • OTB w/solid-state output • STB with solid-state output
	3.66 m	MBCC-412				
	9.14 m	MBCC-430				

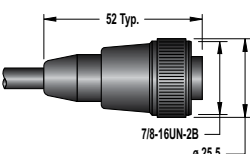
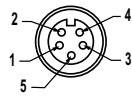
5-Pin Mini-Style Cordsets

Cable: PVC jacket, PUR (polyurethane) connector body, nylon coupling nut
Conductors: 18 AWG, gold-plated contacts
Voltage/Current Rating: 300V ac/dc, 9.0 A
Temperature: -40° to +80° C **Environmental Rating:** IP67

Style	Length	Model	Cable Diameter	Dimensions (mm)	Pinout	Used With
Straight	1.83 m	MBCC-506	7.00 mm		<p>Female</p>  <p>1 = Black 2 = Blue 3 = Yellow 4 = Brown 5 = White</p>	<ul style="list-style-type: none"> • Q45 Laser Retro • OMNI-BEAM ac power blocks • OMNI-BEAM dc w/ e/m relay • OTB & LTB w/SPDT relay • Q45 5-wire ac • STB with e/m relay
	3.66 m	MBCC-512				
	9.14 m	MBCC-530				

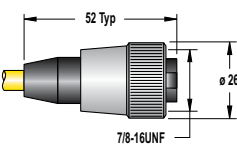
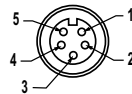
5-Pin Mini-Style Cordsets with Shield

Cable: PVC jacket, PUR (polyurethane) connector body, nylon coupling nut
Conductors: 22 AWG (shielded), PVC insulation, gold-plated contacts
Voltage/Current Rating: 300V ac/dc, 9.0 A
Temperature: -40° to +80° C **Environmental Rating:** IP67

Style	Length	Model	Cable Diameter	Dimensions (mm)	Pinout	Used With
Straight	1.83 m	MBCC2-506	6.10 mm		<p>Female</p>  <p>1 = Brown 2 = White 3 = Blue 4 = Black 5 = Yellow</p>	<ul style="list-style-type: none"> • QT50U • Q45U • Q45UR
	3.66 m	MBCC2-512				
	9.14 m	MBCC2-530				

5-Pin Mini-Style Cordsets with Green/Yellow Grounding Wire

Cable: PVC jacket, PUR (polyurethane) connector body, nickel-plated brass coupling nut
Conductors: 20 AWG, gold-plated contacts
Voltage/Current Rating: 250V ac/300V dc, 9.0 A
Temperature: -40° to +90° C **Environmental Rating:** IP67

Style	Length	Model	Cable Diameter	Dimensions (mm)	Pinout	Used With
Straight	4.75 m	QDS-515C	7.00 mm		<p>Female</p>  <p>1 = Black 2 = Blue 3 = Gn/Ye 4 = Brown 5 = White</p>	<ul style="list-style-type: none"> • EZ-SCREEN Receivers w/5-pin QD & TEST (Point & Grid)
	7.62 m	QDS-525C				
	15.2 m	QDS-550C				

5-Pin Mini-Style Cordsets with Shield and "Twisted Pair"

Cable: PVC jacket, PUR (polyurethane) connector body, nickel-plated brass coupling nut

Conductors: 20 AWG (shielded), PVC insulation, gold-plated contacts

Voltage Rating: 250V ac/300V dc

Temperature: -40° to +90° C

Environmental Rating: IP67

Style	Length	Model	Cable Diameter	Dimensions (mm)	Pinout	Used With
Straight	4.57 m	QDC-515C	7.00 mm		<p>Female</p> <p>1 = Black 2 = Blue 3 = Drain 4 = Brown 5 = White</p>	<ul style="list-style-type: none"> • MINI-ARRAY • High-Resolution MINI-ARRAY
	7.62 m	QDC-525C				
	15.2 m	QDC-550C				
	22.9 m	MAQDC-575C				
	30.5 m	MAQDC-5100C				
	38.1 m	MAQDC-5125C				
45.7 m	MAQDC-5150C					

8-Pin Mini-Style Cordsets

Cable: PVC jacket, PUR (polyurethane) connector body, nylon coupling nut

Conductors: 20 AWG, PVC insulation, gold-plated contacts

Voltage Rating: 250V ac/300V dc

Temperature: -40° to +80° C

Environmental Rating: IP67

Style	Length	Model	Cable Diameter	Dimensions (mm)	Pinout	Used With
Straight	4.51 m	QDS-815C	6.90 mm		<p>Female</p> <p>1 = Brown 5 = Black 2 = Or/Bk 6 = Blue 3 = Orange 7 = Gn/Ye 4 = White 8 = Violet</p>	<ul style="list-style-type: none"> • EZ-SCREEN Receivers w/8-pin QD (Point & Grid) • DUO-TOUCH SG Run Bar
	7.62 m	QDS-825C				
	15.2 m	QDS-850C				
	22.9 m	QDS-875C				

BNC Coaxial Video Cordsets

Style	Length	Model	Cable Diameter	Dimensions (mm)	Pinout	Used With
Video Coaxial with BNC	1.83 m	BNC06	6.00 mm		<p>Male</p>	<ul style="list-style-type: none"> • Pro • P4
	4.57 m	BNC15				
	9.14 m	BNC30				
	14.6 m	BNC48				

BNC to 4-Pin Threaded M8/Pico-Style Cordsets with Shield

Cable: PVC jacket, PUR (polyurethane) connector body, nickel-plated brass coupling nut on QD end
Conductors: 26 AWG
Voltage/Current Rating: 125V ac/125V dc, 4.0 A
Temperature: -40° to +105° C **Environmental Rating:** IP67

Style	Length	Model	Cable Diameter	Dimensions (mm)	Pinout	Used With
BNC/ Pico QD Straight	2.00 m	PKG4M-2/CS	4.40 mm		<p>Female</p> <p>1 = Brown 3 = Blue 2 = Not Used 4 = Drain</p> <p>Male</p>	• IP68 Sealed P4
	5.00 m	PKG4M-5/CS				
	9.00 m	PKG4M-9/CS				

Communication Cordsets

Style	Length	Model	Cable Diameter	Dimensions (mm)	Pinout	Used With
5-Pin M12/ Euro-Style, Straight	1.83 m	MQDMC-506	5.60 mm		<p>Male</p> <p>1 = Brown 2 = White 3 = Blue 4 = Black 5 = Gray</p>	• EZ-ARRAY to INTUSB485-1 USB Serial Adapter
	4.57 m	MQDMC-515				
	9.14 m	MQDMC-530				
5-Pin M12/ Euro-Style, Right-Angle	1.83 m	MQDMC-506RA	5.60 mm		<p>Male</p> <p>1 = Brown 2 = White 3 = Blue 4 = Black 5 = Gray</p>	• EZ-ARRAY to INTUSB485-1 USB Serial Adapter
	4.57 m	MQDMC-515RA				
	9.14 m	MQDMC-530RA				

- Accessories
- Brackets
- Cordsets
- Retroreflectors
- Miscellaneous
- Reference

DB9 Communication Cordsets

Style	Length	Model	Cable Diameter	Dimensions (mm)	Pinout	Used With		
Male DB9/ Female DB9	1.83 m	DB9P06	6.00 mm	<p>Female</p>	<p>Male</p>	<p>Male</p>	• Pro	
	4.57 m	DB9P15		<p>Female</p>	<p>Male</p>			<p>Female</p>
	9.14 m	DB9P30						
Male DB9/ Female DB9	3.00 m	AG4-PCD9-3	5.00 mm	<p>Female</p>	<p>Male</p>	<p>Male</p>	• AG4	
	5.00 m	AG4-PCD9-5						
	10.0 m	AG4-PCD9-10						
Male DB9/USB	1.00 m	AG4-PCD9USB-1	4.6 mm	<p>Female</p>	<p>Male</p>	<p>Male</p> <p>USB</p>	• AG4 Serial-to-USB Adapter	
Male DB9/ Female DB9	2.00 m	MASC	5.00 mm	<p>Female</p>	<p>Male</p>	<p>Female</p> <p>2 = Transmit (TX) 3 = Receive (RX) 5 = Ground (GRD)</p>	<ul style="list-style-type: none"> • MINI-ARRAY • High-Resolution MINI-ARRAY 	

DB15 Configuration/Machine Interface Cordsets

Style	Length	Model	Cable Diameter	Dimensions (mm)	Pinout	Used With
DB15	5.00 m	AG4-CPD15-5	8.50 mm	<p>Female</p>	<p>Female</p>	• AG4
	10.0 m	AG4-CPD15-10				
	25.0 m	AG4-CPD15-25				
	50.0 m	AG4-CPD15-50				

RJ45 Ethernet Cordsets

Style	Length	Model	Cable Diameter	Dimensions (mm)	Pinout	Used With
Cat5e Shielded	2.13 m	STP07	6.80 mm		Male 	<ul style="list-style-type: none"> • Pro • P4 • SC22-3E
Cat5e Crossover Shielded		STPX07				
Cat5e Shielded	7.62 m	STP25				
Cat5e Crossover Shielded		STPX25				
Cat5e Shielded	15.2 m	STP50				
Cat5e Crossover Shielded		STPX50				
Cat5e Shielded	22.9 m	STP75				
Cat5e Crossover Shielded		STPX75				

- Accessories
- Brackets
- Cordsets
- Retroreflectors
- Miscellaneous
- Reference

RJ45 Ethernet to 4-Pin Threaded M8/Pico-Style Cordsets

Style	Length	Model	Cable Diameter	Dimensions (mm)	Pinout	Used With
Cat5e Shielded	2.00 m	IVUC-E-406	6.00 mm		Male Female 1 = Blue 2 = White/Blue 3 = White/Orange 4 = Orange	• iVu Plus
	5.00 m	IVUC-E-415				
	9.00 m	IVUC-E-430				
	16.0 m	IVUC-E-450				
	23.0 m	IVUC-E-475				

RJ45 Ethernet to 8-Pin Threaded M12/Euro-Style Cordsets

Style	Length	Model	Cable Diameter	Dimensions (mm)	Pinout	Used With
Cat5e Shielded	1.83 m	STP-MAQDC-806	7.90 mm		Male Male 1 = Wh/Bl 5 = Wh/Gr 2 = Wh/Br 6 = Wh/Or 3 = Brown 7 = Blue 4 = Orange 8 = Green	• IP68 Sealed P4
	4.57 m	STP-MAQDC-815				
	9.14 m	STP-MAQDC-830				

QD End-Caps

Replace or convert EZ-SCREEN Grid and Point hard-wire terminal chamber end cap to QD model.

Style	Model	Dimensions	Used With
3-pin Mini QD	EZA-QDE-3	Converts terminal chamber end cap to QD model	• EZ-SCREEN Emitters w/Terminal Chamber (Point & Grid)
5-pin Mini QD	EZA-QDE-5		• EZ-SCREEN Emitters w/Terminal Chamber & TEST (Point & Grid)
8-pin Mini QD	EZA-QDR-8		• EZ-SCREEN Receivers w/Terminal Chamber (Point & Grid)

Unterminated Bulk Cable

Cable: PVC jacket
Conductors: 20 AWG, PVC insulation
Voltage Rating: 250V ac/300V dc
Temperature: -40° to +80° C

Length	Models	Dimensions	Used With
7.6 m	UTB-325C	3-conductor (Brown, Blue, Green/Yellow)	• EZ-SCREEN Emitters w/Terminal Chamber (Point & Grid) • AC Interface Boxes
15.2 m	UTB-350C		
30.4 m	UTB-3100C		
76.2 m	UTB-3250C		
7.6 m	UTB-525C	5-conductor (Black, Blue, Brown, White, Green/Yellow)	• EZ-SCREEN Emitters w/Terminal Chamber & TEST (Point & Grid) • AC Interface Boxes
15.2 m	UTB-550C		
30.4 m	UTB-5100C		
76.2 m	UTB-5250C		
7.6 m	UTB-825C	8-conductor (Brown, Orange/Black, Orange, White, Black, Blue, Violet, Green/Yellow)	• EZ-SCREEN Receivers w/Terminal Chamber (Point & Grid) • AC Interface Boxes • DUO-TOUCH SG Run Bars
15.2 m	UTB-850C		
30.4 m	UTB-8100C		
76.2 m	UTB-8250C		

Cable Glands

- Secures the cable end in the housing and seals the point of connection.
- Available for EZ-SCREEN Point and Grid, rope pulls and safety interlock switches.

Model	Size	For Cable Diameter	Dimensions	Used With
SI-QS-CG13	PG13.5 Plastic	3.0 to 8.0 mm		<ul style="list-style-type: none"> • EZ-SCREEN w/Terminal Chamber (Point & Grid)
SI-QS-CGM16	M16 x 1.5 Plastic	3.0 to 8.0 mm		<ul style="list-style-type: none"> • SI-QS75 Safety Interlock Switches • SI-LS83 Safety Interlock Switches
SI-QS-CGM20	M20 x 1.5 Plastic	5.0 to 12.0 mm		<ul style="list-style-type: none"> • SI-QS90 Safety Interlock Switches • SI-LS100 Safety Interlock Switches • SI-LS31 Safety Interlock Switches • SI-LS42 Safety Interlock Switches • RP-LS42 Rope Pull Switches
SI-QM-CGM20	M20 x 1.5 Metal	5.0 to 12.0 mm		<ul style="list-style-type: none"> • SI-LM40 Safety Interlock Switches • SI-QM100 Safety Interlock Switches • SI-LM40 Safety Interlock Switches • RP-RM83 Rope Pull Switches • RP-LM40 Rope Pull Switches • RP-QM72/QMT72 Rope Pull Switches • RP-QM90 Rope Pull Switch

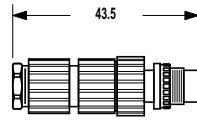
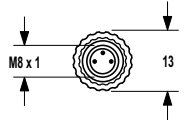
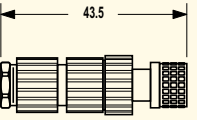
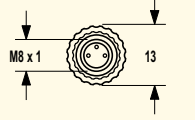
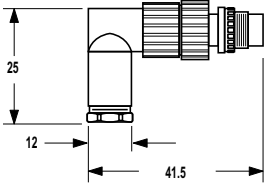
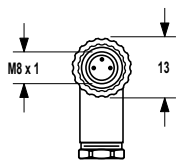
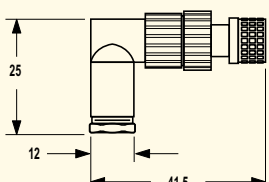
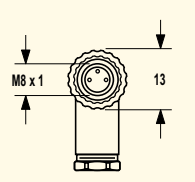
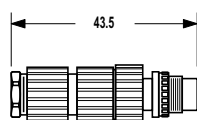
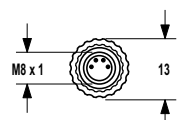
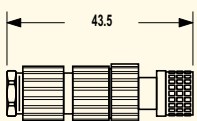
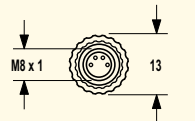
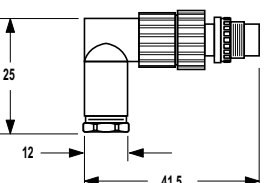
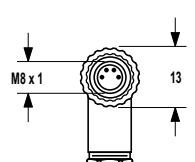
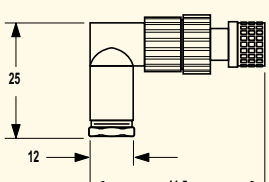
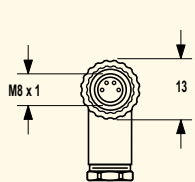
Conduit Adapters

- Connects conduit of different diameters.
- Available for EZ-SCREEN Point and Grid, rope pulls and safety interlock switches.

Model	Size	Thread Conversion	Dimensions	Used With
SI-QM-13	1/2" NPT to PG13.5 Metal	PG 13.5 to 1/2" NPT		<ul style="list-style-type: none"> • EZ-SCREEN w/Terminal Chamber (Point & Grid)
SI-QM-13-M20	M20 to PG13.5 Metal	PG 13.5 to M20		<ul style="list-style-type: none"> • EZ-SCREEN w/Terminal Chamber (Point & Grid)
SI-QS-M16	1/2" - 14 NPT Plastic	M16 x 1.5 to 1/2" - 14 NPT		<ul style="list-style-type: none"> • SI-QS75 Safety Interlock Switches • SI-LS83 Safety Interlock Switches
SI-QS-M20	1/2" - 14 NPT Plastic	M20 x 1.5 to 1/2" - 14 NPT		<ul style="list-style-type: none"> • SI-QS90 Safety Interlock Switches • SI-LS100 Safety Interlock Switches • SI-LS31 Safety Interlock Switches • SI-LS42 Safety Interlock Switches • RP-LS42 Rope Pull Switches
SI-QM-M20	1/2" - 14 NPT Metal	M20 x 1.5 to 1/2" - 14 NPT		<ul style="list-style-type: none"> • SI-LM40 Safety Interlock Switches • SI-QM100 Safety Interlock Switches • SI-LM40 Safety Interlock Switches • RP-RM83 Rope Pull Switches • RP-LM40 Rope Pull Switches • RP-QM72/QMT72 Rope Pull Switches • RP-QM90 Rope Pull Switch

Pico-Style Field-Wireable Connectors (M8)

Contacts: Gold-plated, rated 60V ac/dc max., 4.0 A max.
 Cable Diameter: 4.0 to 5.0 mm
 Temperature: -25° to +70° C
 Environmental Rating: NEMA 6P, IP67

Style	Model	Dimensions	Pinout
3-Pin Male Straight	FIC-M8M3		
3-Pin Female Straight	FIC-M8F3		
3-Pin Male Right-Angle	FIC-M8M3A		
3-Pin Female Right-Angle	FIC-M8F3A		
4-Pin Male Straight	FIC-M8M4		
4-Pin Female Straight	FIC-M8F4		
4-Pin Male Right-Angle	FIC-M8M4A		
4-Pin Female Right-Angle	FIC-M8F4A		

Euro-Style Field-Wireable Connectors (M12)

Contacts: Gold-plated; 4-pin models rated 250V ac/dc max., 4.0 A max.; 5-pin models rated 50V ac/dc max., 4.0 A max.
Cable Diameter: 4.0 to 5.0 mm
Temperature: -25° to +90° C
Environmental Rating: NEMA 6P, IP67

- Accessories
- Brackets
- Cordsets
- Retroreflectors
- Miscellaneous
- Reference

Style	Model	Dimensions	Pinout
4-Pin Male Straight	FIC-M12M4		
4-Pin Female Straight	FIC-M12F4		
4-Pin Male Right-Angle	FIC-M12M4A		
4-Pin Female Right-Angle	FIC-M12F4A		
5-Pin Male Straight	FIC-M12M5		
5-Pin Female Straight	FIC-M12F5		
5-Pin Male Right-Angle	FIC-M12M5A		
5-Pin Female Right-Angle	FIC-M12F5A		