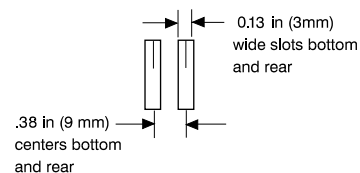
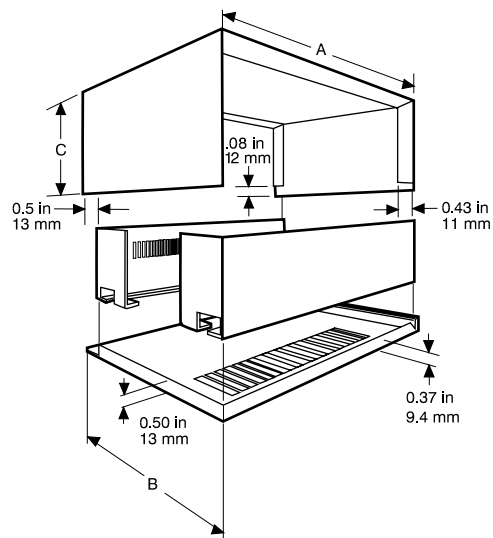


Instrument Case (1426 Series)



KEY FEATURES

- Top and bottom made in 20 gauge steel (for strength) finished in contempora grey or satin gulf blue powder paint.
- Easy to machine 0.064" (1.6 mm) thick aluminum panels front and rear.
- Rear panel and bottom of enclosure is vented.
- Front panel is satin black powder paint, rear panel matches case color.
- 6-32 Philips nickel plated screws and self-adhesive rubber feet included.
- Replacement screws **1421J6** (Pkg. of 6, 6-32 Philips head screws).



| Part Number | | Units | Dimensions | | |
|-------------|------------|------------|------------|-------------|------------|
| Off White | Satin Blue | | A | B | C |
| 1426K | 1426K-B | inch mm | 6 152 | 5 127 | 4 102 |
| 1426M | 1426M-B | inch mm | 8 203 | 6 152 | 4 102 |
| 1426O | 1426O-B | inch mm | 10 254 | 7 178 | 4 102 |
| 1426Q | 1426Q-B | inch mm | 11 279 | 11.7 297 | 5.5 140 |
| 1426S | 1426S-B | inch mm | 12 305 | 6 152 | 4 102 |
| 1426Y | 1426Y-B | inch mm | 12 305 | 6 152 | 5.5 140 |
| 1426V | 1426V-B | inch mm | 12 305 | 8 203 | 4 102 |
| 1426W | 1426W-B | inch mm | 12 305 | 10 254 | 4 102 |

Metal



CANADA
Guelph, Ontario (519) 822-2960
St. Laurent, Quebec (514) 343-9010
USA
Cheektowaga, NY (716) 651-0086



EUROPE
Basingstoke, UK +44 1256 812812

AUSTRALASIA
Queenstown, SA, Australia +61 8 8240 2244