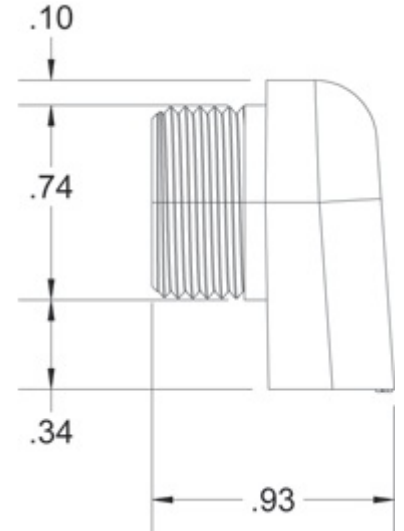
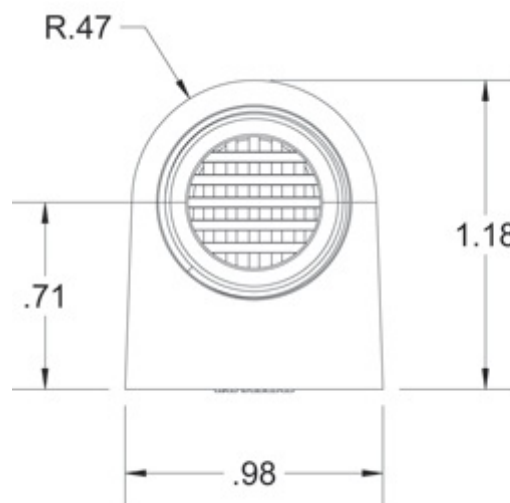


## Small Rainproof Ventilator *SDV SM*

**English** | [Français](#)



- Designed to equalize internal / external pressure and temperature
- Ventilators assist in condensation prevention by allowing enclosures to breathe  
Suitable for most types of metallic and non-metallic enclosures
- Molded in corrosion resistant UV stabilized polycarbonate plastic, finish RAL7035 Light Gray
- Gasket protection to enclosure wall
- Mount to enclosure wall thickness up to .16"
- Internal vent channel & grille reduces insect intrusion
- Package quantity 1



**Part No. SDV180-1**

*Data subject to change without notice.*