

Pedestal and Base 1495 Series



Features

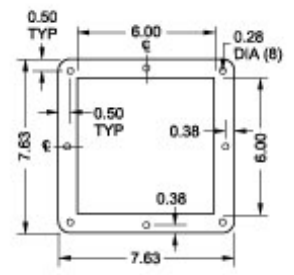
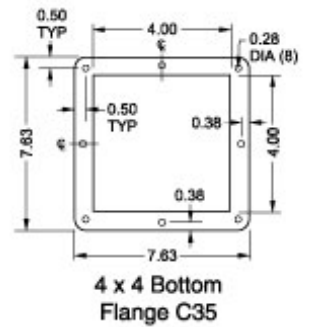
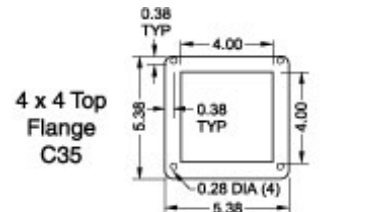
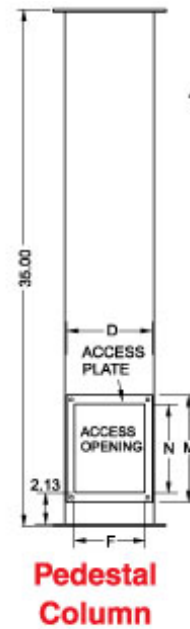
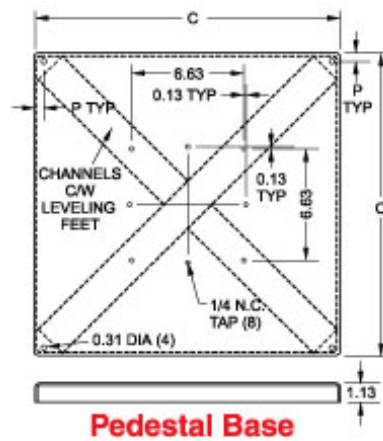
- Used for floor mounting for many types of enclosures, consolets or pushbutton boxes
- Provides wiring feature through the column.
- Meets NEMA Type 12 and 13 requirements.
- Finished in grey.

Pedestal Column

- Columns are formed from 14 gauge steel with 10 gauge flanges.
- Column access opening with gasketed cover.
- Columns include flange gaskets and a box connector.

Pedestal Base

- Bases are formed from 10 gauge steel with additional reinforcing.
- Bases include levelling screws.



| Part No. | Description | C | D | F | M | N | P |
|----------|-----------------|---|------|------|------|------|---|
| 1495C35 | Straight Column | - | 3.75 | 2.75 | 7.25 | 6.00 | - |

| Part No. | Description | C | D | F | M | N | P |
|-----------------|--------------------|----------|----------|----------|----------|----------|----------|
| 1495D35 | Straight Column | - | 5.75 | 4.75 | 7.25 | 6.00 | - |
| 1495XK | Pedestal Base | 18.00 | - | - | - | - | 0.50 |
| 1495XN | Pedestal Base | 24.00 | - | - | - | - | 0.50 |

Data subject to change without notice

© 2015. Hammond Manufacturing Ltd. All rights reserved.