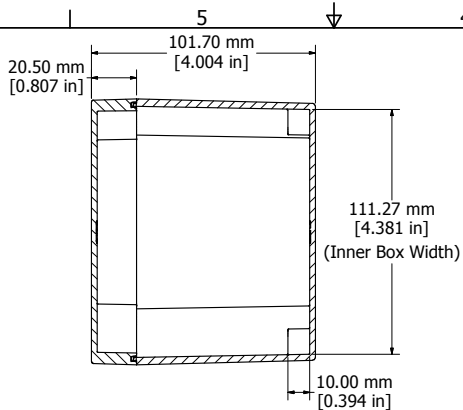
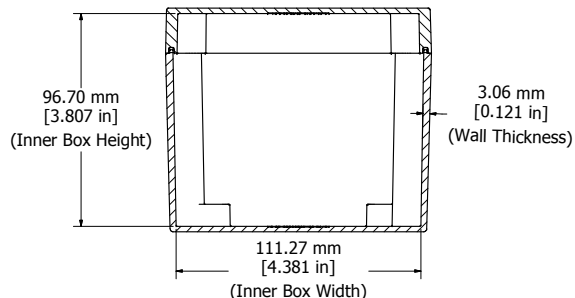
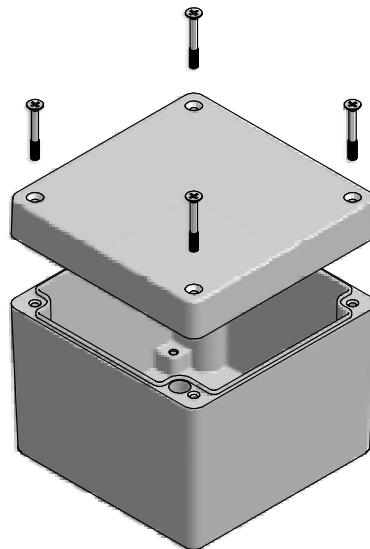


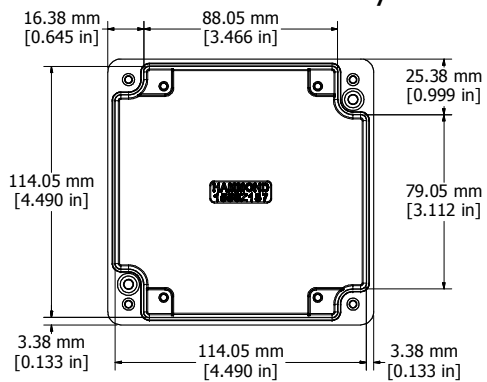
**ASSEMBLY**



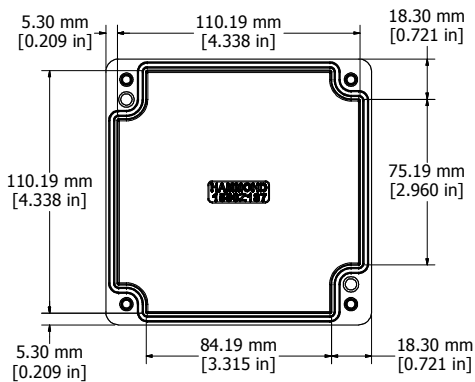
**SECTION A-A**  
End View of Assembly



**SECTION B-B**  
End View of Assembly



Top View Looking Inside Box



View Looking Inside Lid

Enclosures can be Factory Modified ( Milling, Drilling, Printing etc. )  
Contact Factory [mjm@hammondmfg.com](mailto:mjm@hammondmfg.com) for quotes  
Solid models of this enclosure available in STEP or IGES.

| NOTES   |  |
|---|--|
| Purchased assembly includes enclosure, M4x30 lid screws     |  |
| Gasket - Pre-formed Silicone Rubber                         |  |
| Cover screws should be torqued to 5-7.5 lbf.in (50-75 cN.m) |  |

| 1550Z137                               |            |
|--|------------|
| PART NUMBERS                           |            |
| Unfinished                             | 1550Z137   |
| Black Textured Powder Paint - RAL 9011 | 1550Z137BK |

