

Table Top Rack Cabinets (RCBS Series) - *Light Duty*

Path: [Home](#) > [Rack Index](#) > Table Top Rack Cabinets (RCBS Series)



Textured - Black



Textured - Light Gray (RAL7035)

Click to enlarge

Features:

- Light duty, 16-gauge steel, economy 19" table top rack cabinet...
- Choice of three depths (13", 17" and 24")
- Rails are fixed both front and rear, round hole punched for 10-32 clip-nuts to full EIA hole centers (5/8 - 5/8 - 1/2 inch spacing)...
- Includes rubber feet, two lifting handles, a starter pack of 10-32 clip nuts & matching quantity of **1421ABK** black screws...
- Overall width 21"...
- Overall height 2" over panel height...
- Recommended maximum weight (RCBS1901417 tested) - 600 pounds...
- Rugged textured powder paint finish...
- Stocked in Black & Light Gray (RAL7035)...

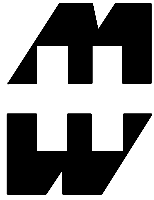
13.0" Deep models:

Part Number	Color	Drawing File Size	.zip file size	Panel Height		Number of Clip Nuts Included	Wt. lbs.
				Inches	Units		
RCBS1900313BK1 RCBS1900313CG1 RCBS1900313LG1	Black Beige Light Gray	16K	18K	3.50	2	8	13
RCBS1900513BK1 RCBS1900513CG1	Black Beige Light	17K	19K	5.25	3	8	15

RCBS1900513LG1	Gray								
RCBS1900713BK1 RCBS1900713CG1 RCBS1900713LG1	Black Beige Light Gray		18K		19K	7.00	4	8	16
RCBS1900813BK1 RCBS1900813CG1 RCBS1900813LG1	Black Beige Light Gray		18K		19K	8.75	5	16	16
RCBS1901013BK1 RCBS1901013CG1 RCBS1901013LG1	Black Beige Light Gray		19K		20K	10.50	6	16	17
RCBS1901213BK1 RCBS1901213CG1 RCBS1901213LG1	Black Beige Light Gray		20K		20K	12.25	7	16	17
RCBS1901413BK1 RCBS1901413CG1 RCBS1901413LG1	Black Beige Light Gray		21K		22K	14.00	8	16	17

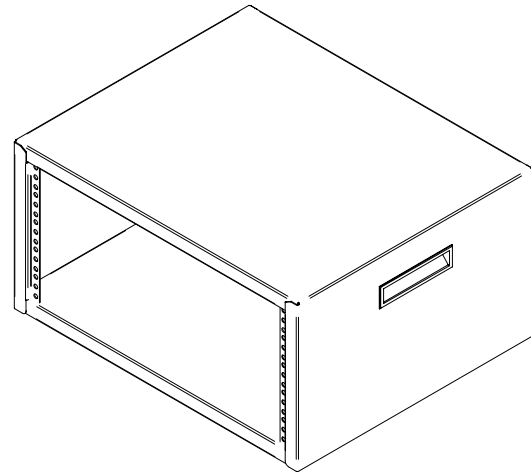
17.0" Deep models:

Part Number	Color		Drawing File Size		.zip file size	Panel Height		Number of Clip Nuts Included	Wt. lbs.
						Inches	Units		
RCBS1900317BK1 RCBS1900317LG1	Black Light Gray		43K		21K	3.50	2	8	14
RCBS1900517BK1 RCBS1900517CG1 RCBS1900517LG1	Black Beige Light Gray		17K		18K	5.25	3	8	16
RCBS1900717BK1 RCBS1900717CG1 RCBS1900717LG1	Black Beige Light Gray		18K		19K	7.00	4	8	19
RCBS1900817BK1 RCBS1900817CG1 RCBS1900817LG1	Black Beige Light Gray		18K		19K	8.75	5	16	22

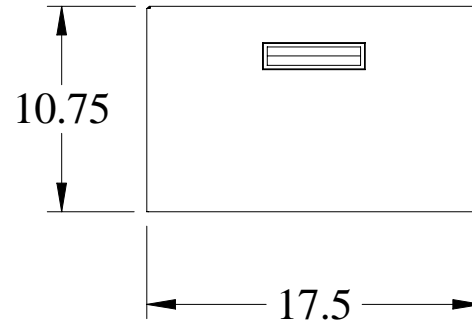
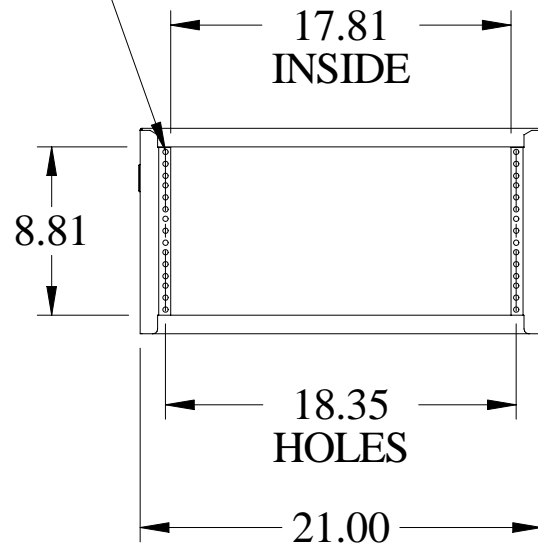


PART No. RCBS1900817

ISOMETRIC VIEW NOT TO SCALE



HOLE SPACING PER
EIA-310-D UNIVERSAL



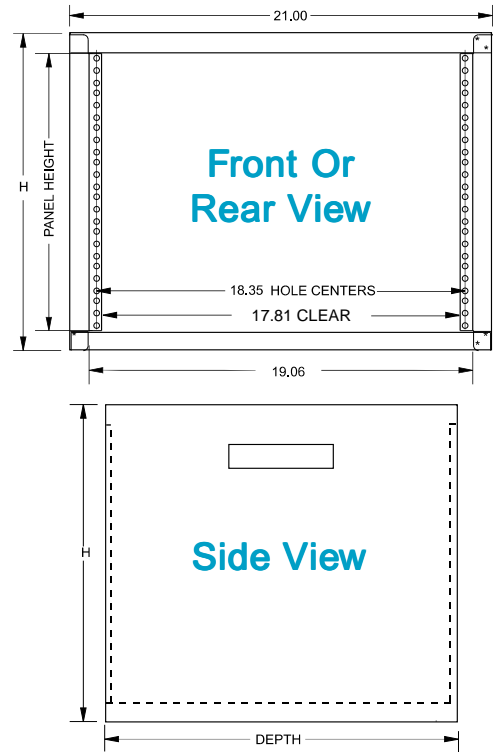
Light Duty (RCBS Series)

Table Top



FEATURES

- Front and rear recessed flange, punched for 10-32 clip nuts on EIA universal spacing (5/8 - 5/8 - 1/2 inch)
- Welded, 16-gauge steel, economy 19" table top rack
- Recommended maximum weight (RCBS1901417 tested) - 600 pounds
- Includes rubber feet, two lifting handles and 10-32 clip nuts
- Tough powder finish paint



13" Deep

Part Number			Panel Height		Overall Dimensions			# of Clip Nuts
Black Textured	Beige Textured	ASA61 Grey Smooth	Inches	Units	Height	Width	Depth	
RCBS1900313BK1	RCBS1900313CG1	RCBS1900313GY2	3.50	2	5.50	21.00	13.0	8
RCBS1900513BK1	RCBS1900513CG1	RCBS1900513GY2	5.25	3	7.25	21.00	13.0	8
RCBS1900713BK1	RCBS1900713CG1	RCBS1900713GY2	7.00	4	9.00	21.00	13.0	8
RCBS1900813BK1	RCBS1900813CG1	RCBS1900813GY2	8.75	5	10.75	21.00	13.0	16
RCBS1901013BK1	RCBS1901013CG1	RCBS1901013GY2	10.50	6	12.50	21.00	13.0	16
RCBS1901213BK1	RCBS1901213CG1	RCBS1901213GY2	12.25	7	14.25	21.00	13.0	16
RCBS1901413BK1	RCBS1901413CG1	RCBS1901413GY2	14.00	8	16.00	21.00	13.0	16

17.5" Deep

Part Number			Panel Height		Overall Dimensions			# of Clip Nuts
Black Textured	Beige Textured	ASA61 Grey Smooth	Inches	Units	Height	Width	Depth	
RCBS1900517BK1	RCBS1900517CG1	RCBS1900517GY2	5.25	3	7.25	21.00	17.5	8
RCBS1900717BK1	RCBS1900717CG1	RCBS1900717GY2	7.00	4	9.00	21.00	17.5	8
RCBS1900817BK1	RCBS1900817CG1	RCBS1900817GY2	8.75	5	10.75	21.00	17.5	16
RCBS1901017BK1	RCBS1901017CG1	RCBS1901017GY2	10.50	6	12.50	21.00	17.5	16
RCBS1901217BK1	RCBS1901217CG1	RCBS1901217GY2	12.25	7	14.25	21.00	17.5	16
RCBS1901417BK1	RCBS1901417CG1	RCBS1901417GY2	14.00	8	16.00	21.00	17.5	16