






Path: Home > Enclosure Index > ROLEC-HAMMOND Aluminum Product Index > R190 & R191 Series



click to enlarge

Key Features:

- Modern, high quality instrument enclosure
- Material - Aluminum die-cast: GD SI 12 / DIN 1725
- Shallow lid, deep body
- Captive stainless steel lid screws
- Enclosure can be mounted after closing lid
- Integrated 1.7 mm recess in lid for membrane keypads and front panels
- Neoprene oil and petrol resistant - thermoplastic gasket standard. (-40°C up to +120°C)
- Clip-on design covers - to hide mounting & lid screws (plastic - polyoxymethylene) - grey RAL 7040
- Complete with lid captivation devices
- Degree of protection: NEMA 4X, IP67
- Textured polyester powder coat, grey RAL 7040. (Special paint finishes in a variety of colors are available)

Part No.	Reader File	 Drawing File Size	AutoCAD .dxf File	.dxf File Size	Units	Width	Length	Depth (Including Lid)
						A	B	C
R191-090-000		95K		136K	mm	90	120	60
					inches	3.5	4.7	2.4
R191-092-000		93K		130K	mm	90	160	60
					inches	3.5	6.3	2.4

R190-110-000		94K		132K	mm	110	140	60
					inches	4.3	5.5	2.4
R190-112-000		92K		126K	mm	110	200	60
					inches	4.3	7.9	2.4
R190-130-000		95K		138K	mm	130	160	70
					inches	5.1	6.3	2.8
R190-132-000		93K		131K	mm	130	220	70
					inches	5.1	8.7	2.8
R190-150-000		90K		125K	mm	150	180	60
					inches	5.9	7.1	2.4
R191-150-000		91K		131K	mm	150	180	90
					inches	5.9	7.1	3.5
R190-152-000		90K		128K	mm	150	260	60
					inches	5.9	10.2	2.4
R191-152-000		90K		131K	mm	150	260	90
					inches	5.9	10.2	3.5
R190-170-000		91K		125K	mm	170	200	60
					inches	6.7	7.9	2.4
R191-170-000		93K		134K	mm	170	200	90
					inches	6.7	7.9	3.5
R190-172-000		89K		125K	mm	170	280	60
					inches	6.7	11	2.4
R191-172-000		90K		131K	mm	170	280	90
					inches	6.7	11	3.5



Link here to [photo tables](#) of each part number

Features (by photos):



click to enlarge

Snap in design covers hide both lid screws and installation holes

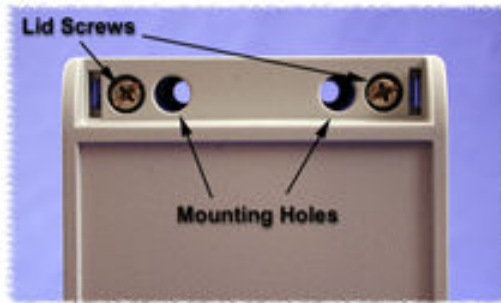


click to enlarge

Includes optional use lid captivation straps



Enclosure can be installed after closing lid



click to enlarge

Dual channel construction
Mounting holes accessible with lid closed. All holes outside of gasket seal.

Exactly what you are looking for???

Link to our stocking distributors - most have "on-line" pricing, stock check and ordering!!!

[Our Distributors](#)

Order from your favorite distributor



[HOME PAGE](#)

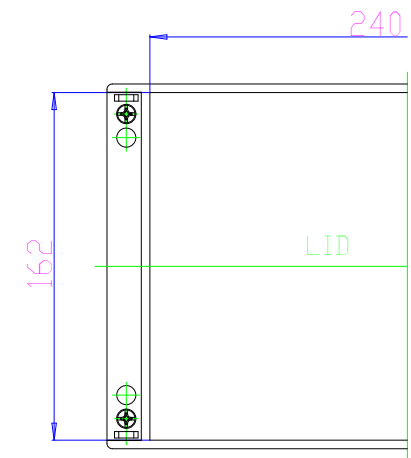
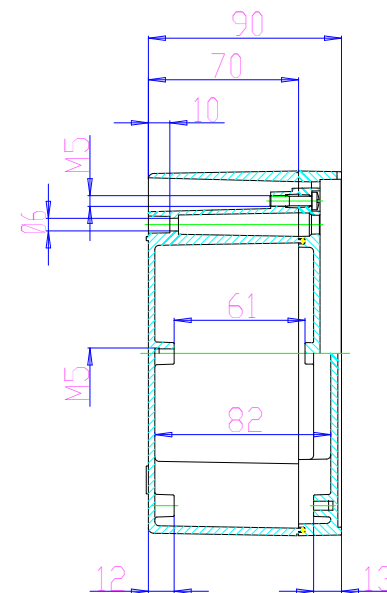
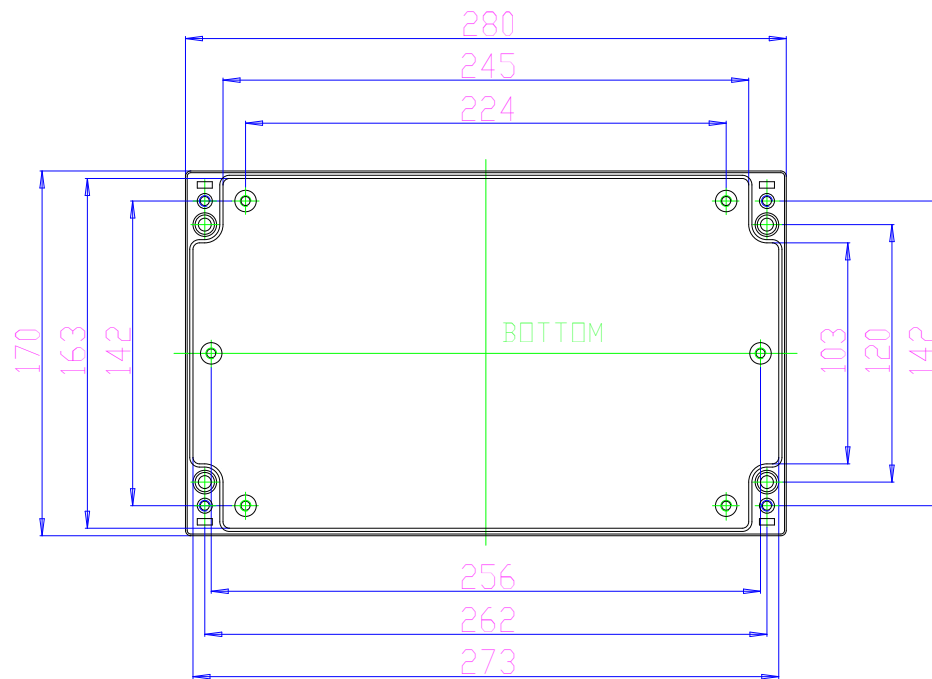
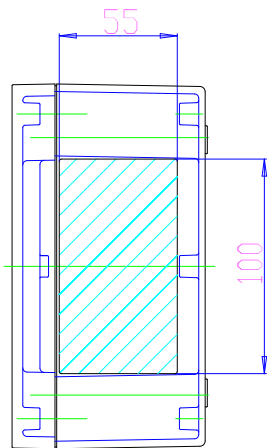
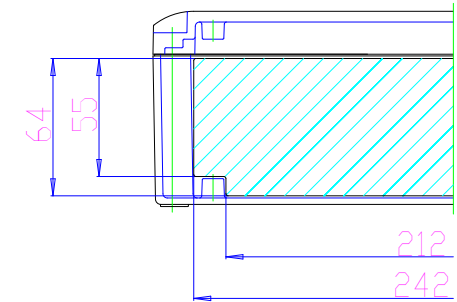
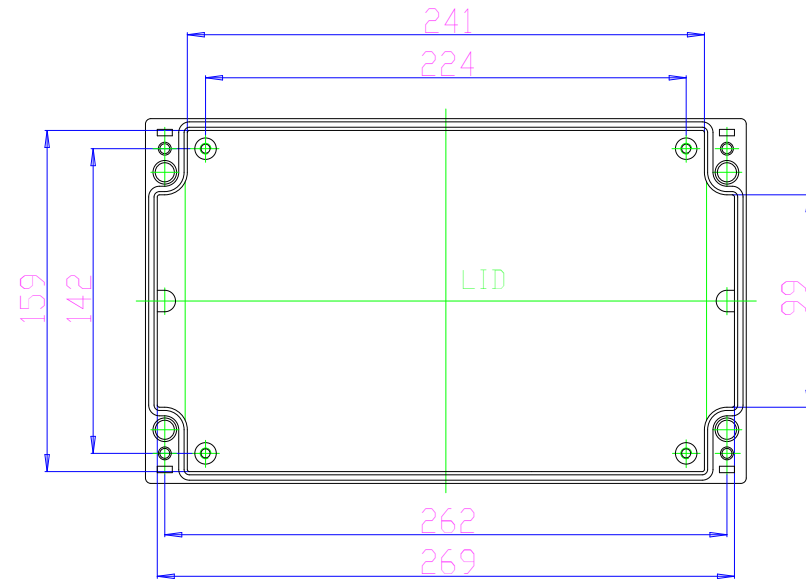


Copyright;

- AVAILABLE ACCESSORIES:
- ALUMINUM TRIM COVERS
 - HINGES
 - INSERT LOCKS
 - CHROMATIZING
 - CORROSION PROOF COATING
 - SHIELDING
 - INGRESS PROTECTION IP67

NOTES

MATERIAL-ALUMINUM DIE-CAST: GD SI 12 / DIN 1725
 LID SCREWS-CAPTIVE STAINLESS STEEL
 CLIP ON TRIM-PLASTIC PDM (POLY-OXYMETHYLENE) GREY RAL 7040
 RECESS IN THE TOP CAN ACCOMMODATE MEMBRANE KEYPADS
 INTEGRATED COVER BRACKETS PROVIDE STRAIN RELIEF FOR WIRING BETWEEN ENCLOSURE AND LID
 DEGREE OF PROTECTION NEMA 4X, IP66
 NEOPRENE OIL AND PETROL RESISTANT-THERMOPLASTIC GASKET (-40 C TO +140 C)
 TEXTURED POLYESTER POWDER COAT, GREY RAL 7040



For the best fit print on legal size paper.

VISIT US ON THE WORLD WIDE WEB: WWW.HAMMONDMFG.COM

THIS DRAWING IS PROPRIETARY INFORMATION OF HAMMOND MFG.CO.LTD. NOT TO BE USED WITHOUT EXPRESSED WRITTEN PERMISSION OF HAMMOND MFG.CO.LTD.

Dwg Rev. # -
 

Mat'l DIE-CAST ALUMINUM
 Sheet 1 of 1

 HAMMOND MANUFACTURING CO. LTD.
 Electronics Group, Waterloo, Ont. - Cheektowaga, NY

ROLEC α uCASE SERIES ENCLOSURES

Part#: R191-172-000

Dwg: AC 172