

UAG3/4

UAG3/4

Dimensions (mm) $\varnothing 20 \times 17$

Step angle (°) 18

Holding torque (mNm) 5,6 / 4,2

Detent torque (mNm) > 0,6

Winding bipolar/unipolar

Gear combination on request



Standard Data

Climatic class	wide-spread according to DIN IEC 60721-2-1
Ambient temperature operation	°C -20...+60
Ambient temperature storage	°C -40...+100
Thermal resistance at f=0 R_{therm}	47 K/W
Thermal class	B according to DIN EN 60085
Approval	standard
Mounting	any position
Electrical connection	cable
Protection	IP 40 according to DIN EN 60529
Weight	22 g
Rotor stalling	motor can be stopped when voltage is applied, without being overheated
Bearings	sintered bronze, self-lubricating

Order Reference

Type	Stepper Motor	UAG	3	3	N	150 (Ω)	Ω	R	E
Configuration	3 bipolar 4 unipolar								
Rotor shaft, mounting	3 centring 8 mm, mounting plate with long holes 5 centring 8 mm, mounting plate (for clipping) E centring 6 mm, mounting plate with long holes G centring 6 mm, mounting plate (for clipping)								
Approval	N Approval Standard								
Resistance	See next page Resistance per winding for bipolar or unipolar.								
Direction	reversible								
Cable	E cable 150 mm with Tyco connector CT 173977-4 1-6 (other on request)								

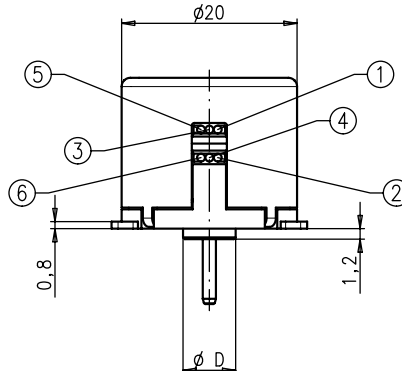
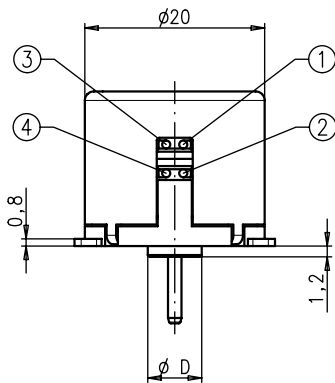
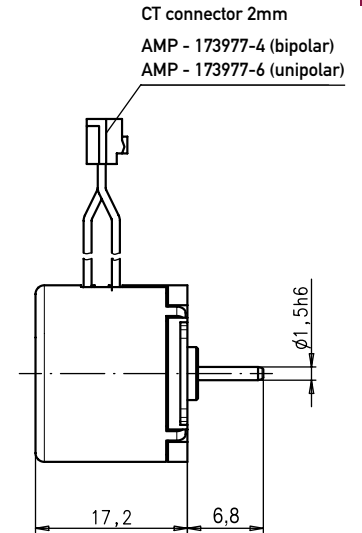
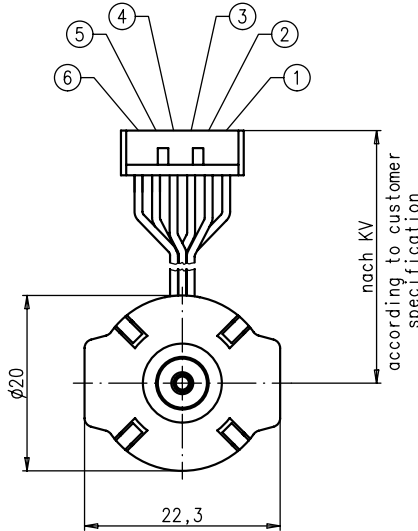
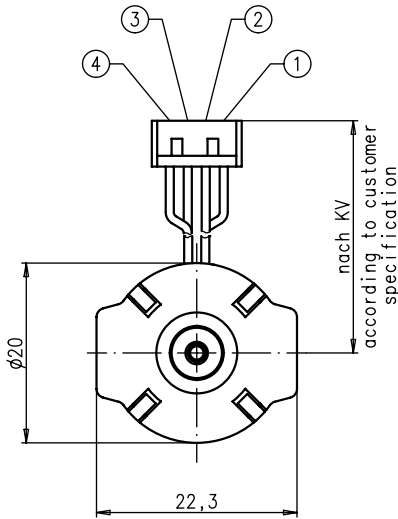
Technical Data

bipolar (UAG3)	Rated voltage U_N	V	12
	Resistance per winding R_{20}	Ω	150
unipolar (UAG4)	Rated voltage U_N	V	12
	Resistance per winding R_{20}	Ω	150
Steps per revolution		20	
Duty cycle		100%	
Winding temperature T_{max}		130° C	
Rotor inertia J_R		0,26 gcm ²	
Holding torque M_H		0,56 cNm (UAG3) 0,42 cNm (UAG4)	
Detent torque M_H		> 0,6 mNm	
Direction of rotation		reversible	

Dimensions

motortype	$\varnothing D$
UAG33	$\varnothing 8 \text{ } 0_{-0,05}$
UAG3E	$\varnothing 6 \text{ } 0_{-0,05}$

motortype	$\varnothing D$
UAG43	$\varnothing 8 \text{ } 0_{-0,05}$
UAG4E	$\varnothing 6 \text{ } 0_{-0,05}$



bipolar

	0	I	II	III	IV
1	+	+	-	-	+
2	+	-	-	+	+
3	-	-	+	+	-
4	-	+	+	-	-

→ clockwise rotation

← counter clockwise rotation

unipolar

	0	I	II	III	IV
1	-	-	+	+	-
2	-	+	+	-	-
3	+	+	+	+	+
4	+	+	+	+	+
5			-	-	
6		-	-		

→ clockwise rotation

← counter clockwise rotation

Performance Chart

