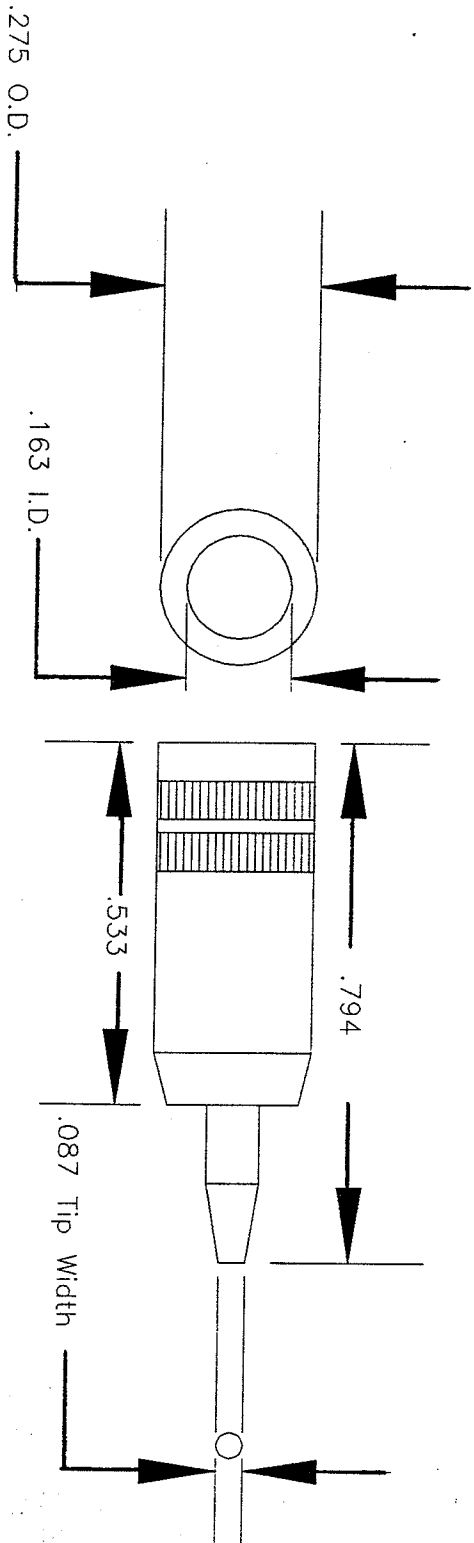


PART NO. 12-2160



DRAWINGS ARE THE PROPERTY OF GC ELECTRONICS FOR YOUR INSPECTION & APPROVAL OF GC PRODUCTS, NOT TO BE SHARED WITH ANYONE ELSE WITHOUT PRIOR WRITTEN PERMISSION FROM GC ELECTRONICS.

FINISH

GC (ELECTRONICS)
 1801 Morgan St., Rockford, IL 61102

NAME *Desoldering Tip*
 MATL

DRAWN *Don D.*
 CHECKED

DATE *11/11/91*
 PART NO. *12-2160*

DIMENSIONS				CH	NO.	CHANGE	DATE