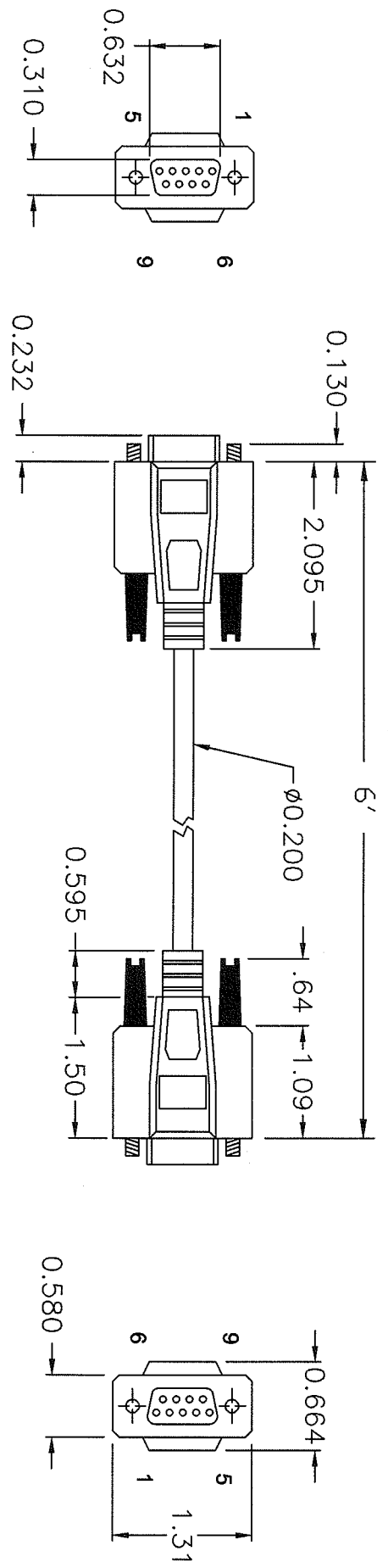
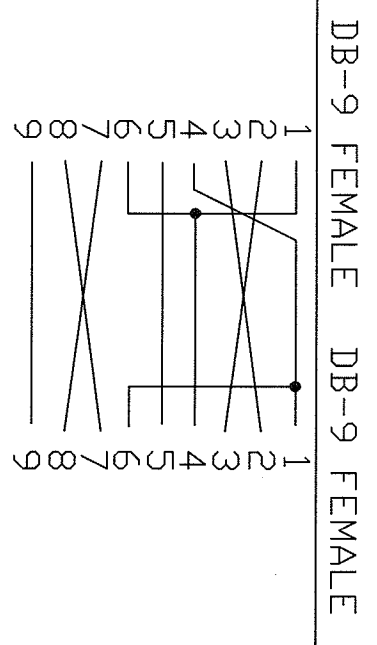


PART NO. 45-389

#4-40 SCREWS (4)



PIN OUT DIAGRAM



SPECIFICATIONS :
 CABLE/HOOD: PVC, BIEGE
 SCREWS: # 4-40

UNLESS OTHERWISE SPECIFIED,
 DIMENSIONS ARE FOR REFERENCE
 PURPOSES ONLY.

DRAWINGS ARE THE PROPERTY OF
 GC ELECTRONICS. REPRODUCTION OR
 DISTRIBUTION OF THIS DRAWING MUST
 HAVE PRIOR WRITTEN CONSENT FROM
 GC ELECTRONICS.

SHEET 1 OF 1 SCALE NTS: DIMENSIONS IN

GC Electronics

PART NAME: NULL MODEM DB-9, 6 FT CABLE (F)/(F)

DRAWN: S.R.S. DATE: 1/18/05

CHECKED: REV. PART NO. 45-389