

1825620-1 Product Details

[Share](#) [Print](#) [Email](#)



1825620-1
(KR104)

TE Internal Number:
1825620-1

 Active

Knobs

 Always EU RoHS/ELV Compliant (Statement of Compliance)

Product Highlights:

- Shaft Hole Adapter
- Diameter = 6.35 mm
- Shaft Size = 3.17 mm
- RoHS compliant, ELV compliant
- Lead Free Solder Processes = Not relevant for lead free process

[View all Features](#)

Quick Links

- ▶ [Pricing & Availability](#)
- ▶ [Search for Tooling](#)
- ▶ [Product Feature Selector](#)
- ▶ [Contact Us About This Product](#)

[Add to My Part List](#)

[Request Sample](#)

[Find Similar Products](#)

[Buy Product](#)

| Documentation & Additional Information | |
|---|---|
| <p>Product Drawings:</p> <ul style="list-style-type: none"> • SHAFT ADAPTER (PDF, English) <p>Catalog Pages/Data Sheets:</p> <ul style="list-style-type: none"> • None Available <p>Product Specifications:</p> <ul style="list-style-type: none"> • None Available <p>Application Specifications:</p> <ul style="list-style-type: none"> • None Available <p>Instruction Sheets:</p> <ul style="list-style-type: none"> • None Available <p>CAD Files:</p> <ul style="list-style-type: none"> • None Available | <p>Related Products:</p> <ul style="list-style-type: none"> • Tooling |
| List all Documents | |

| Product Features (Please use the Product Drawing for all design activity) | |
|---|---|
| <p>Product Type Features:</p> <ul style="list-style-type: none"> • Product Type = Shaft Hole Adapter <p>Dimensions:</p> <ul style="list-style-type: none"> • Diameter (mm [in]) = 6.35 [0.250] <p>Body Features:</p> <ul style="list-style-type: none"> • Shaft Size (mm [in]) = 3.17 [0.125] | <p>Industry Standards:</p> <ul style="list-style-type: none"> • RoHS/ELV Compliance = RoHS compliant, ELV compliant • Lead Free Solder Processes = Not relevant for lead free process • RoHS/ELV Compliance History = Always was RoHS compliant <p>Other:</p> <ul style="list-style-type: none"> • Brand = Alcoswitch |

Corporate Information

[About TE](#)
[Investors](#)
[News Room](#)
[Supplier Portal](#)

Quick Links

[Distributor Inventory](#)
[Product Cross Reference](#)
[Documents & Drawings](#)
[Product Compliance Support Center](#)

Customer Support

[Email or Chat With Us](#)
[Find a Phone Number](#)
[Knowledge Base](#)
[Manage Your Account](#)

THIS DRAWING IS UNPUBLISHED.

RELEASED FOR PUBLICATION

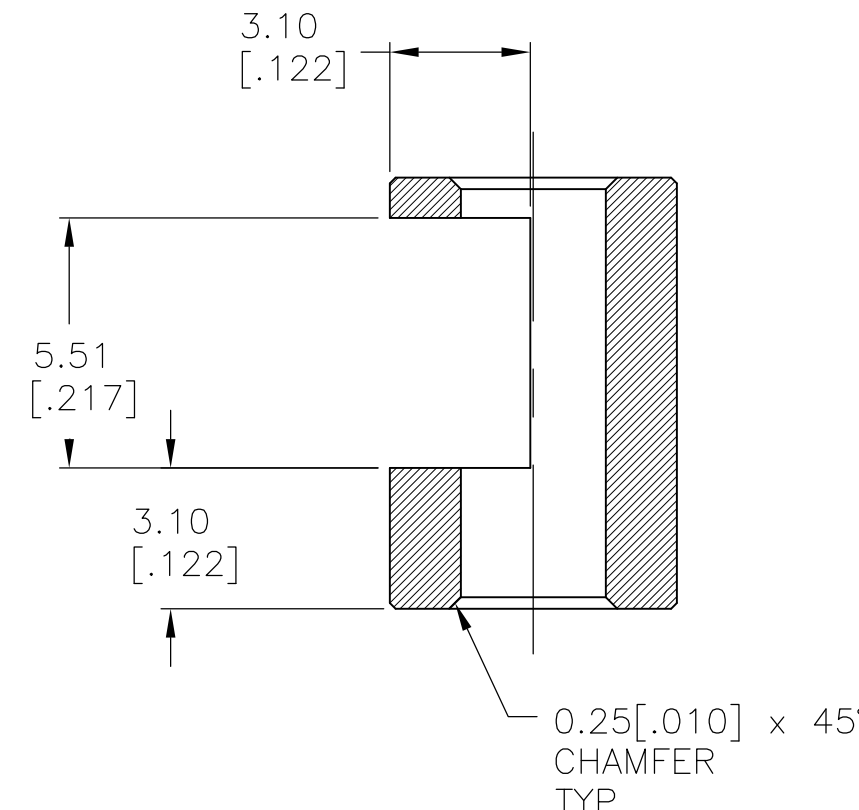
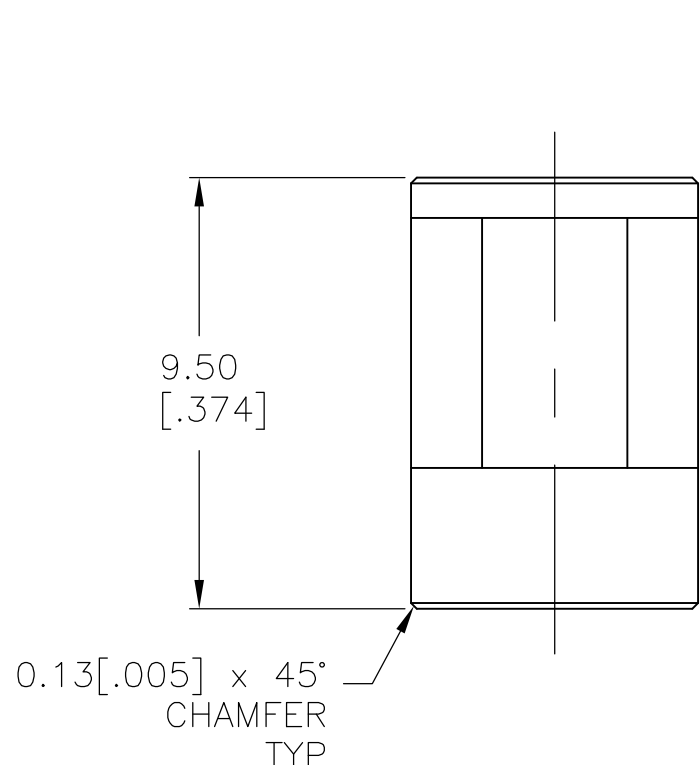
ALL RIGHTS RESERVED.

© COPYRIGHT - By -

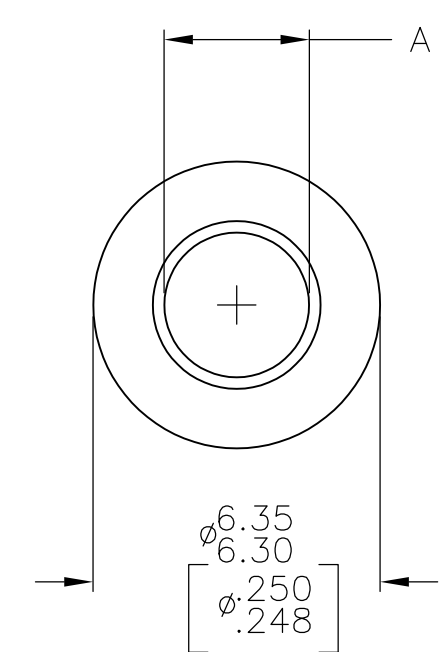
LOC AD DIST 00

REVISIONS

| P | LTR | DESCRIPTION | DATE | DWN | APVD |
|---|-----|---------------------------|---------|-----|------|
| | A1 | REVISED PER ECO-11-004917 | 11MAR11 | RK | HMR |



- △ 1 BRASS
- △ 2 NICKEL PLATE ELECTRODEPOSITED



| | | | | |
|---|--------|----------|----------|-----------|
| 4.09 ^{+0.08} _{-0.0} [.161 ^{+0.003} _{-.000}] | △ 2 | △ 1 | KR-304 | 1825620-3 |
| 4.83 ^{+0.08} _{-0.0} [.190 ^{+0.003} _{-.000}] | △ 2 | △ 1 | KR-204 | 1825620-2 |
| 3.20 ^{+0.08} _{-0.0} [.126 ^{+0.003} _{-.000}] | △ 2 | △ 1 | KR-104 | 1825620-1 |
| A | FINISH | MATERIAL | ALCO P/N | P/N |

| | | | | | |
|--|--|-------------------------|----------------------------|--------------------|-------------------------|
| THIS DRAWING IS A CONTROLLED DOCUMENT. | | DWN M.BINNER 18OCT2007 | STE TE Connectivity | | |
| DIMENSIONS: mm [INCHES] | | CHK M.WILBOURN 18OCT07 | | | |
| TOLERANCES UNLESS OTHERWISE SPECIFIED: | | APVD M.WILBOURN 18OCT07 | NAME SHAFT ADAPTER | | |
| <ul style="list-style-type: none"> 0 PLC ± - 1 PLC ± - 2 PLC ± 0.13 [.005] 3 PLC ± - 4 PLC ± - ANGLES ± 5° | | PRODUCT SPEC | RESTRICTED TO | | |
| MATERIAL SEE TABLE | | APPLICATION SPEC | SIZE A3 | CAGE CODE 00779 | DRAWING NO C-1825620 |
| FINISH SEE TABLE | | WEIGHT - | SCALE 8:1 | | |
| | | CUSTOMER DRAWING | | SHEET 1 OF 1 | REV A1 |