

SPECIFICATIONS

Material: E-SEELS -- Silicone rubber polymer type ASTM D 1418

Mounting Nut: E-SEELS: Brass, black-oxide

Temperature Range: E-SEELS: -80°F to +400°F

Pressure Range: Exceeds 15 psi internal and 1500 psi external.
(N5032B: 10 psi)

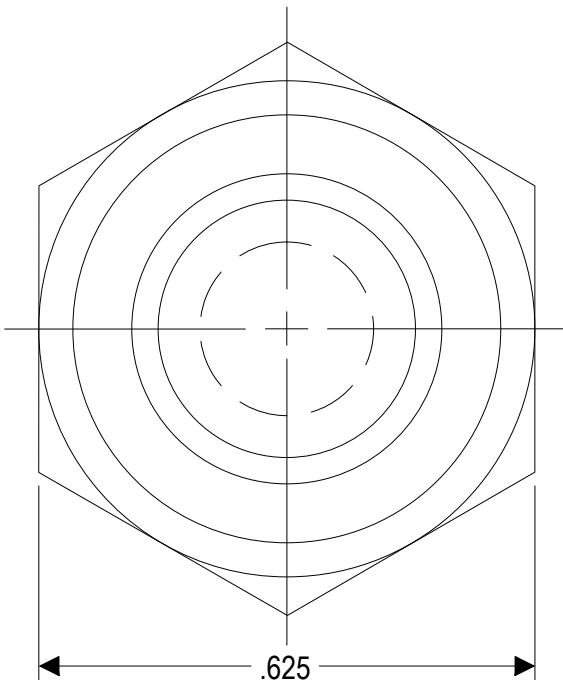
Operational Life: 50,000 actuations (minimum).

Shelf Life: Excess of 25 years.

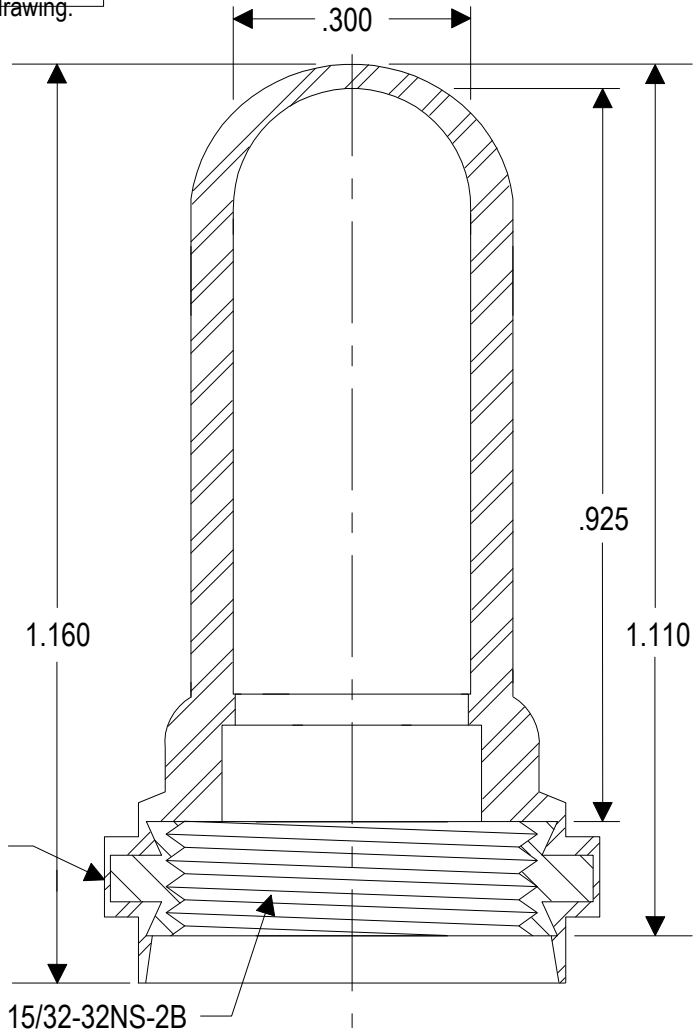
Resistant to: Salt spray, sunlight, ozone, weather, fungus, and most acids and lubricating oils

Agency Recognition: E-SEELS and HEXSEALS are UL-listed to UL Std. 50 types 1-13, and meet CSA standards.

Installation: If a reducing adaptor is required - see page 14 of HEXSEAL catalog HEX200 for part numbers and drawing.



PERMISSIBLE RUBBER



C	CAD COMPUTER GENERATED		7-01-04
	REDRAWN		9-12-74
REV.	DESCRIPTION		DATE
	TITLE	BOOT, TOGGLE SWITCH #(50154)	ENG. M.M. 12-7-57
			DWN. J.PALUMBO 12-7-57
	MAT'L: SILICONE RUBBER		CHKD.
	FINISH: GRAY	APM-HEXSEAL CORPORATION	SCALE 4:1 DWG. NO. (50154)

THIS DRAWING COVERS PROPRIETARY ITEM AND IS THE PROPERTY OF THE APM-HEXSEAL CORPORATION.