

1520237-2 Product Details

[Share](#) [Print](#) [Email](#)



1520237-2
(7320K3)

TE Internal Number: 1520237-2

Active

[View 3D PDF](#)

Power Toggle Switches

Always EU RoHS/ELV Compliant
(Statement of Compliance)

Product Highlights:

- Double Pole - Single Throw Configuration (Pole-Throw)
- Toggle Length = 16.66 mm
- Toggle Style = Baton
- Bushing Length = 11.91 mm
- Termination Type = Screw-In Terminal

[View all Features](#)

Quick Links

- ▶ [Pricing & Availability](#)
- ▶ [Search for Tooling](#)
- ▶ [Product Feature Selector](#)
- ▶ [Contact Us About This Product](#)

[Add to My Part List](#) [Request Sample](#) [Find Similar Products](#)
[Buy Product](#)

Documentation & Additional Information

Product Drawings:

- [DIM'S FOR DBL. POLE TOOL HANDLE SW. FOR EUROPEAN USE \(PDF, English\)](#)

Catalog Pages/Data Sheets:

- None Available

Product Specifications:

- None Available

Application Specifications:

- None Available

Instruction Sheets:

- None Available

CAD Files: [\(CAD Format & Compression Information\)](#)

- [2D Drawing \(DXF, Version E\)](#)
- [3D Model \(IGES, Version E\)](#)
- [3D Model \(STEP, Version E\)](#)

[List all Documents](#)

Related Products:

- [Tooling](#)

Product Features (Please use the Product Drawing for all design activity)

Product Type Features:

- Termination Type = Screw-In Terminal

Electrical Characteristics:

- UL/CSA 125V Current Rating (A) = 16
- UL/CSA 250V Current Rating (A) = 8
- UL/CSA 125V Horse Power Rating (hp) = 1.00

Dimensions:

- Bushing Length (mm [in]) = 11.91 [0.469]

Housing Features:

- Toggle Length (mm [in]) = 16.66 [0.656]
- Toggle Style = Baton

Configuration Features:

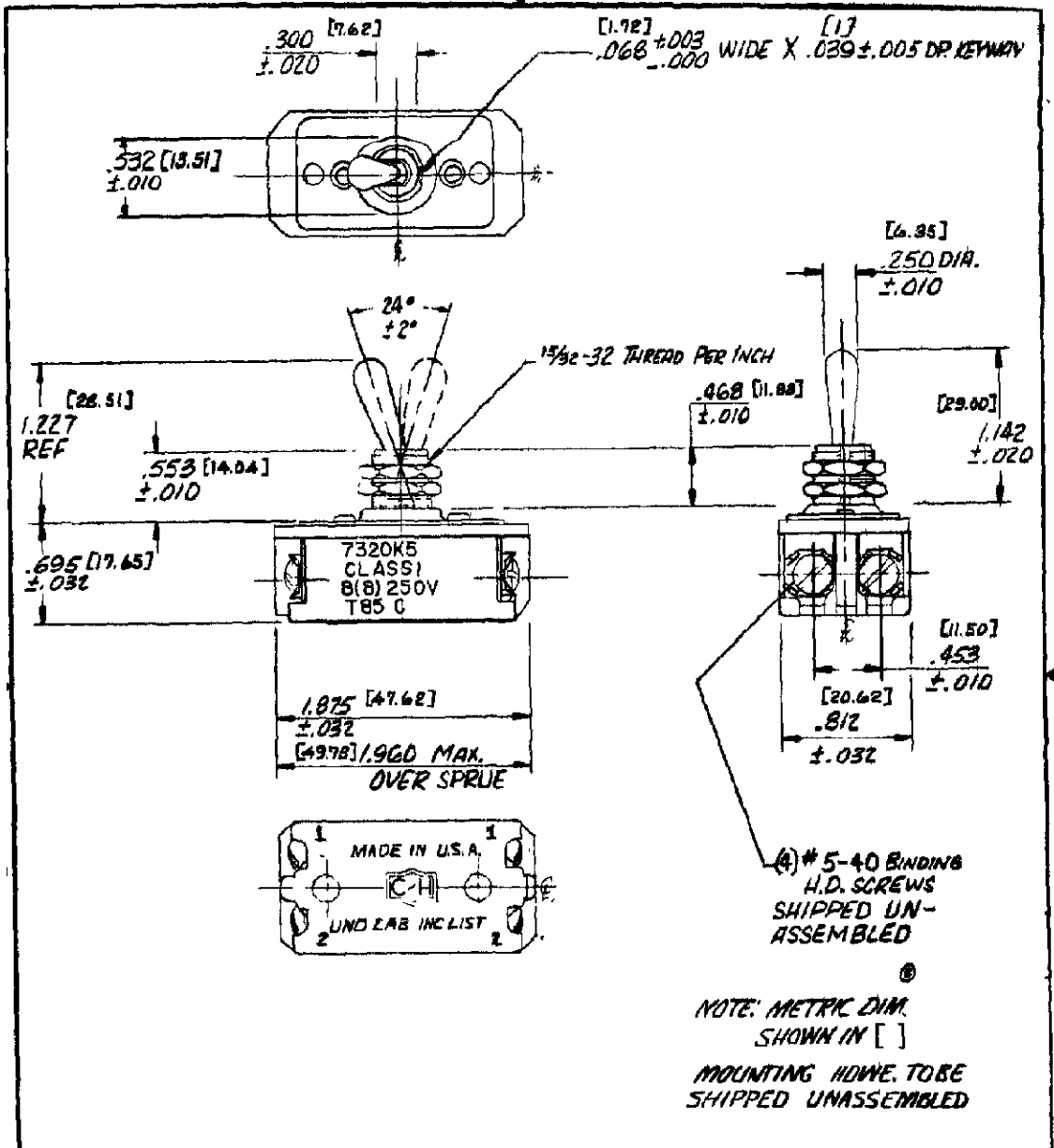
- Configuration (Pole-Throw) = Double Pole - Single Throw

Industry Standards:

- [RoHS/ELV Compliance](#) = RoHS compliant, ELV compliant
- [Lead Free Solder Processes](#) = Not reviewed for lead free solder process
- [RoHS/ELV Compliance History](#) = Always was RoHS compliant

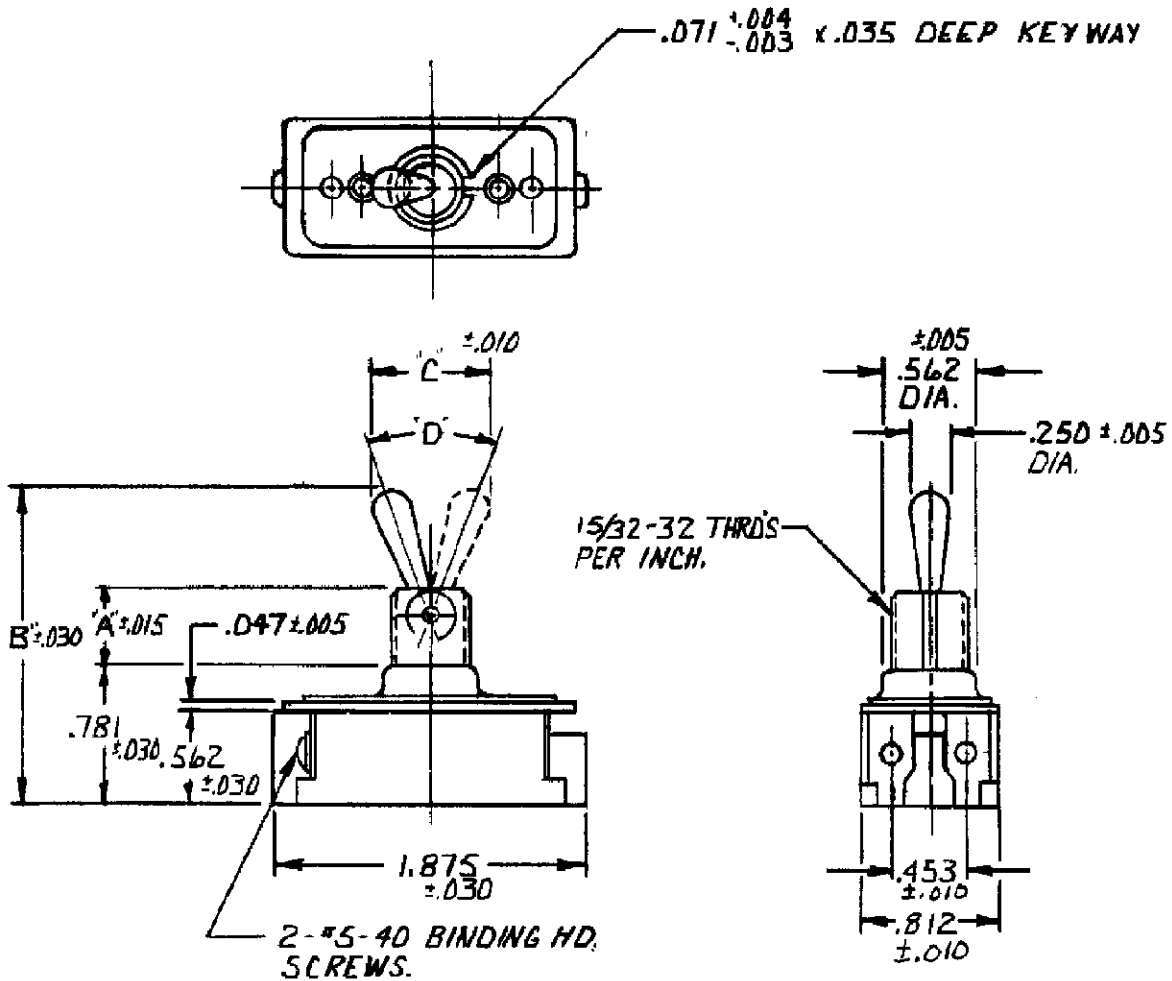
Other:

- Brand = Alcoswitch

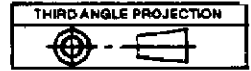


TITLE DIMENSIONS FOR DBL. POLE TOOL HD'L. SW. FOR EUROPEAN USE

ORDER NO.	702A575014		BASIC SPECS. SUMMARY	
A	REVISED PER ECO-11-005294	18APR11	HMR	
LTR	REVISION RECORD	DATE	CHK	
				M. R. R. 11-26-76 702A575014 M. R. R. G. 11/14/76 702A575014 R.S.
				DR MICHAEL WHITEO 1/8/76 APP. Richard Beard CHK. J. SMITH 1-14-76 1520237 REV A
				TE Connectivity



37 ^{±4} °	7321	.469	1.922	.719
50 ^{±4} °	7321	.344	1.766	.844
"D"	CAT. NO.	A	B	C



TITLE
DIMENSIONS FOR SINGLE POLE ONE HANDLE MTG. TOOL HANDLE SWITCH.

ORDER NO. 9310N10 **BASIC SPECS. SUMMARY**

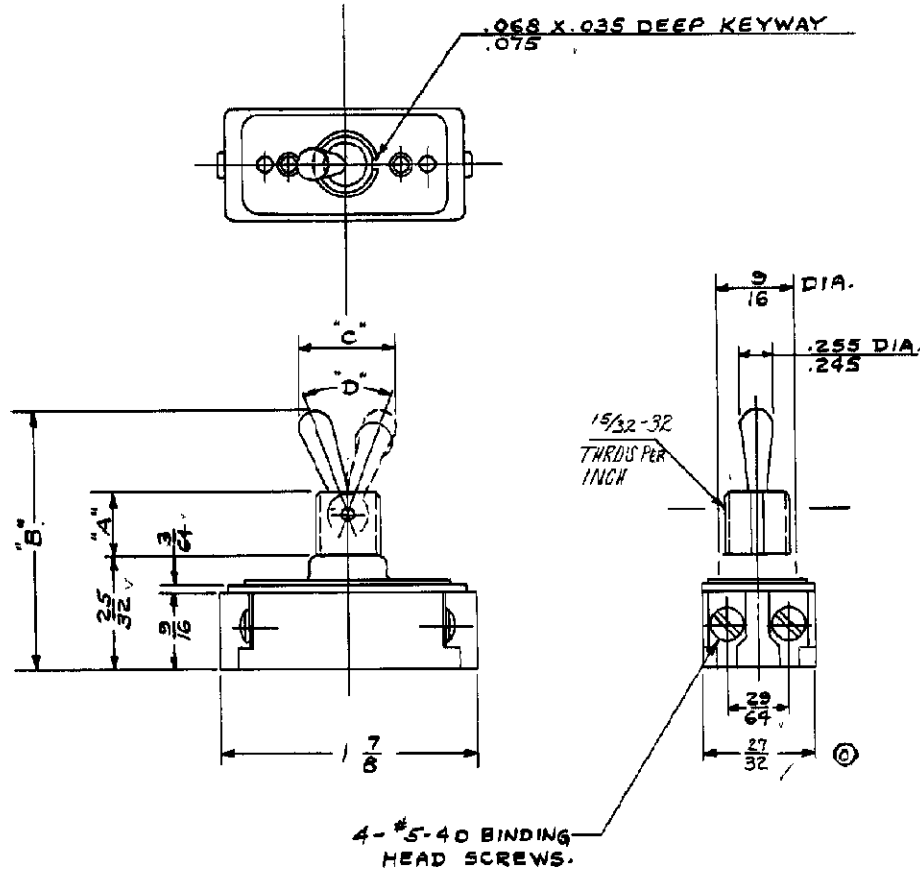
		DR. JEFF BROTHERS	11/27/04	APP. Bill Newland	11/27/04	1520237	REV A
		CHK. GLENN STORV	11/27/04				

SEE SHEET 1



1520237

RAW MAT SPEC WITH
PART NO AND AMOUNT REQ'D.



37±4°	7320	15/32	159/64	21/32
50±4°	7320	11/32	149/64	21/32
"D"	CAT. NO.	A	B	C

BULLETIN
DIMENSIONS FOR ~~ONE HOLE MTG. TOOL HANDLE SWITCH~~, ONE HOLE MTG. TOOL HANDLE SWITCH

FORM NO. 7
DIMENSIONS ON THIS SHEET
15-40
N-1633
15-40
SCHILLER
CLOSE

DR. <i>E. R. Leonard</i>	11/14/40	1520237
CHKD. <i>J. P. ...</i>	10/14/40	SUP. S.
APP. <i>J. P. ...</i>	10/15/40	NON-INTERCHANGEABLE
		SUP. D BY
		NON-INTERCHANGEABLE
		SURFACE COATING
DO NOT SCALE DRAWING. WORK ACCORDING TO DIMENSIONS.		SCALE 1" = 1"
STANDARD TOLERANCES 90-875 APPLY TO DIMENSIONS FOR WHICH TOLERANCES ARE NOT SPECIFIED.		

SEE SHEET 1

STE TE Connectivity

ORDER NO.	DEV.	A	REV	A
4041-10				