



Features

- Formerly J.W. Miller® model
- Height of 11.5 mm max.
- Current rating up to 3.5 A
- RoHS compliant*

Applications

- Input/output of DC/DC converters
- Industrial electronics
- Power supplies for:
 - Portable communications equipment
 - Camcorders
 - LCD TVs
 - Car radios

PM3340 Series - SMD Power Inductors

Electrical Specifications

Bourns Part No.	Inductance 100 kHz		Test Frequency (MHz)	DCR Max. (Ω)	I _{rms} (A)	I _{sat} (A)
	(μH)	Tol. (%)				
PM3340-100M-RC	10	±20	2.52	0.033	3.50	8.00
PM3340-150M-RC	15	±20	2.52	0.042	3.00	7.00
PM3340-220M-RC	22	±20	2.52	0.054	2.50	5.50
PM3340-330M-RC	33	±20	2.52	0.080	2.00	4.00
PM3340-470M-RC	47	±20	2.52	0.10	1.60	3.80
PM3340-680M-RC	68	±20	2.52	0.17	1.20	3.00
PM3340-101M-RC	100	±20	0.796	0.22	1.20	2.50
PM3340-151M-RC	150	±20	0.796	0.34	0.90	2.00
PM3340-221M-RC	220	±20	0.796	0.44	0.70	1.60
PM3340-331M-RC	330	±20	0.796	0.70	0.60	1.20
PM3340-471M-RC	470	±20	0.796	0.95	0.30	1.00
PM3340-681M-RC	680	±20	0.796	1.20	0.20	1.00
PM3340-102M-RC	1000	±20	0.252	2.00	0.10	0.80

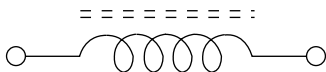
General Specifications

Test Voltage 0.1 V
 Reflow Soldering ... 230 °C; 50 sec. max.
 Operating Temperature
 -55 °C to +125 °C
 (Temperature rise included)
 Storage Temperature ... -55 °C to +125 °C
 Resistance to Soldering Heat
 260 °C, 10 sec. max.

Materials

Core Ferrite
 Wire Enameled copper
 Terminal Sn/Ni/Cu
 Rated Current
 Ind. drop 10 % typ. at I_{sat}
 Temperature Rise
 30 °C typical at I_{rms}
 Packaging 225 pcs. per reel

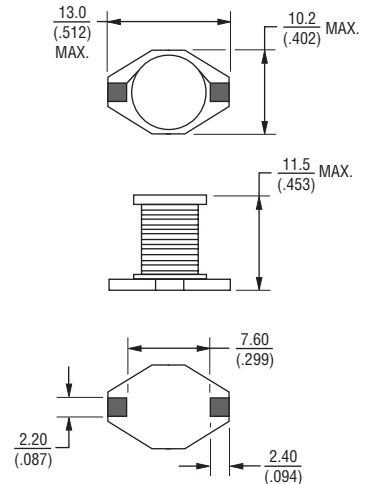
Electrical Schematic



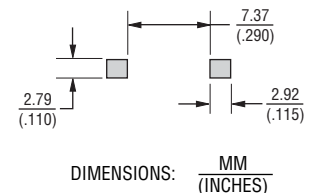
Typical Part Marking



Product Dimensions



Recommended Pad Layout

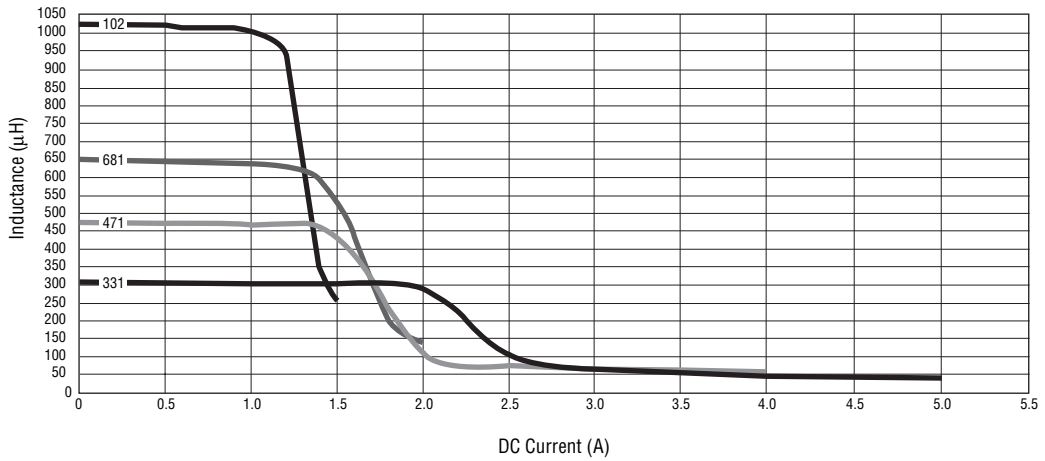
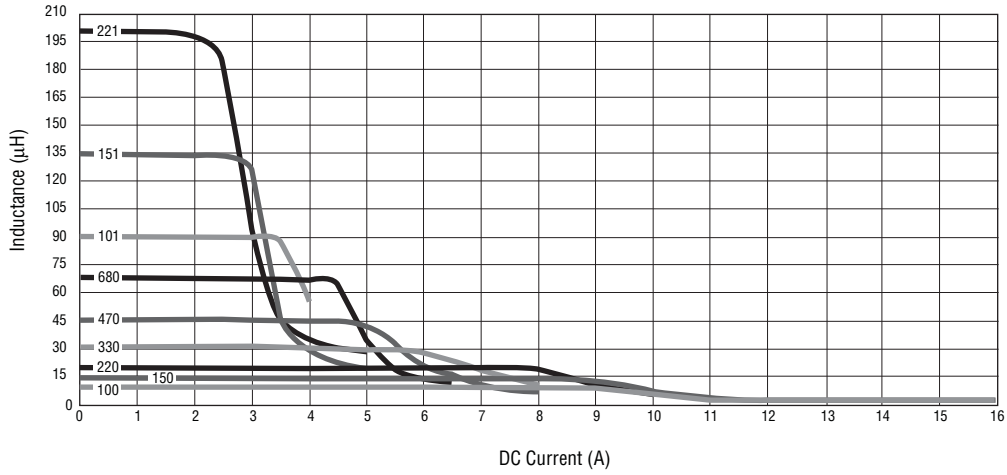


*RoHS Directive 2002/95/EC Jan. 27, 2003 including annex and RoHS Recast 2011/65/EU June 8, 2011. Specifications are subject to change without notice. Customers should verify actual device performance in their specific applications.

PM3340 Series - SMD Power Inductors

BOURNS®

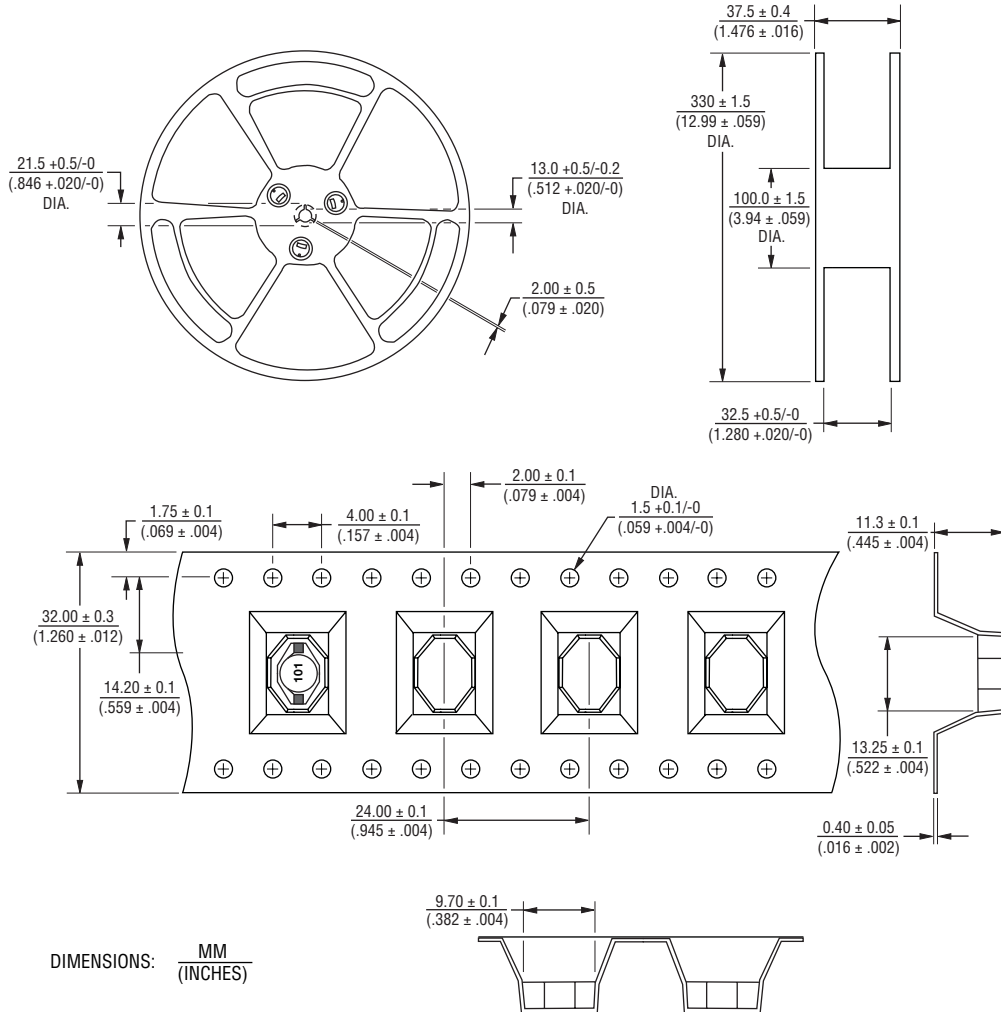
Inductance vs. Current



PM3340 Series - SMD Power Inductors

BOURNS®

Packaging Specifications



DIMENSIONS: $\frac{\text{MM}}{\text{(INCHES)}}$

QUANTITY: 225 PCS. PER REEL

01/08

Specifications are subject to change without notice.
Customers should verify actual device performance in their specific applications.