



PRODUCTS

[DM-APSE](#)
[MICROMINIATURE](#)
[D-SUB](#)

[Filter D](#)
[IDC](#)
[Basic D](#)
[Military D](#)

Accessories

[Introduction](#)
[Hoods](#)
[Clamps](#)

▶ Hardware

[▶ Screw Locks](#)
[Slide Locks](#)
[Dust Caps](#)
[Tooling](#)

OTHER TECHNOLOGY



ACCESSORIES

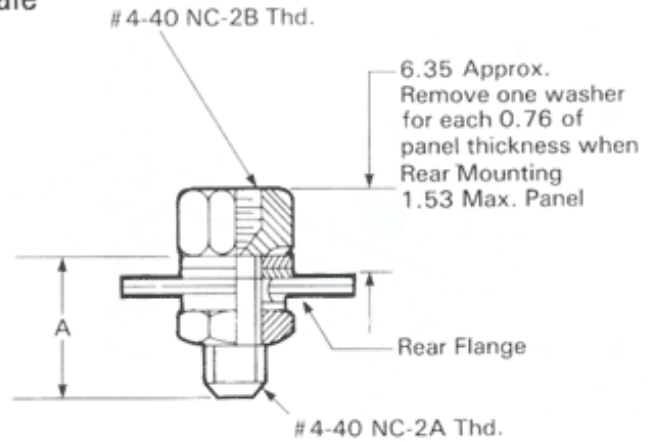
SCREW LOCKS



Features

- Simple to use
- Robust
- Industry Standard
- Zinc and yellow chromate plated

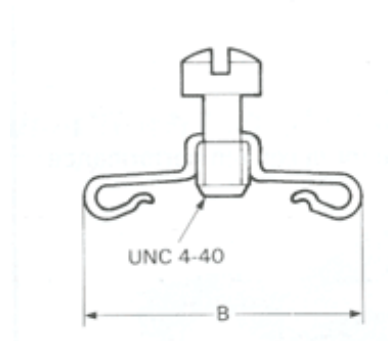
Female



Part Number Commercial	Part Number to MIL-C-24308	Dimension A (mm)
D20418-2	M24308/26-1	7.92
D20418-39	M24308/26-2	15.88

Both items are suitable for all shell sizes. D20418-2 is used in all applications except for those where the extra thread length of D20418-39 is needed

Male



For steel screw lock assemblies the maximum recommended assembly torques are :

Assembly of Female to Panel 0.9Nm

Fixing of Male to Female 0.45Nm

Note: Two screw locks assemblies are required per connector

Shell Size	Plugs		Sockets	
	Plug	Socket	Dimension B (mm)	
E	D20419-0	D20419-0	13.89	
A	D20419-0	D20419-0	13.89	
B	D20419-18	D20419-0	13.89	
C	D20419-18	D20419-0	13.89	
D	D20419-15	D20420-0	16.66	

[Back](#) [Site Map](#) [Print](#)