

## Cooper Bussmann

[Homepage](#)  
[About Cooper Bussmann](#)  
[Contact Us](#)  
[Privacy](#)  
[Legal](#)  
[Cooper Bussmann® Brand](#)  
[Site Map](#)



## ATM-20

Automotive blade-type Mini-Fuse

### Product Information

|                 |                 |
|-----------------|-----------------|
| Product Type:   | Fuse            |
| Product Family: | Automotive      |
| Brand:          | Cooper Bussmann |

### Recommended Products

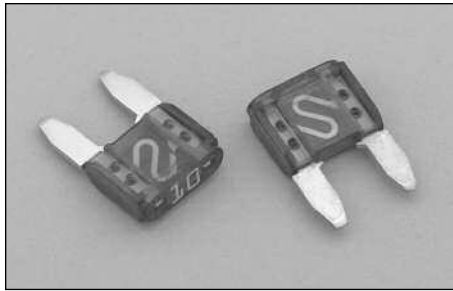
|                          |                     |
|--------------------------|---------------------|
| Rec. Inline Fuse Holder: | <a href="#">HHM</a> |
|--------------------------|---------------------|

### Physical Properties

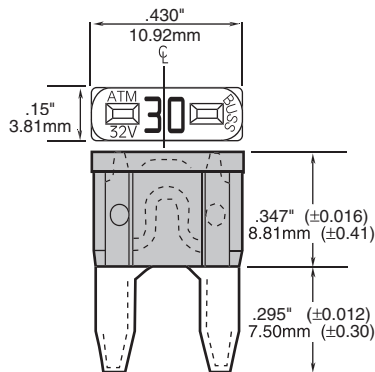
|             |  |
|-------------|--|
| Dimensions: | 0.43in. (L) × 0.15in. (W) × 0.642in. (H) |
|-------------|--|

### Electrical Properties

|                          |   |
|--------------------------|---|
| Maximum DC Voltage:      | 32  |
| Amperage Rating:         | 20  |
| DC Interrupting Ratings: | <ul style="list-style-type: none"> <li>• 1000 at 32V</li> </ul> |
| Fast Acting:             | Yes   |



**Dimensional Data**



**Catalog Symbol:** ATM

**Fast-Acting**

**Ampere Ratings:** 2 to 30 Amperes

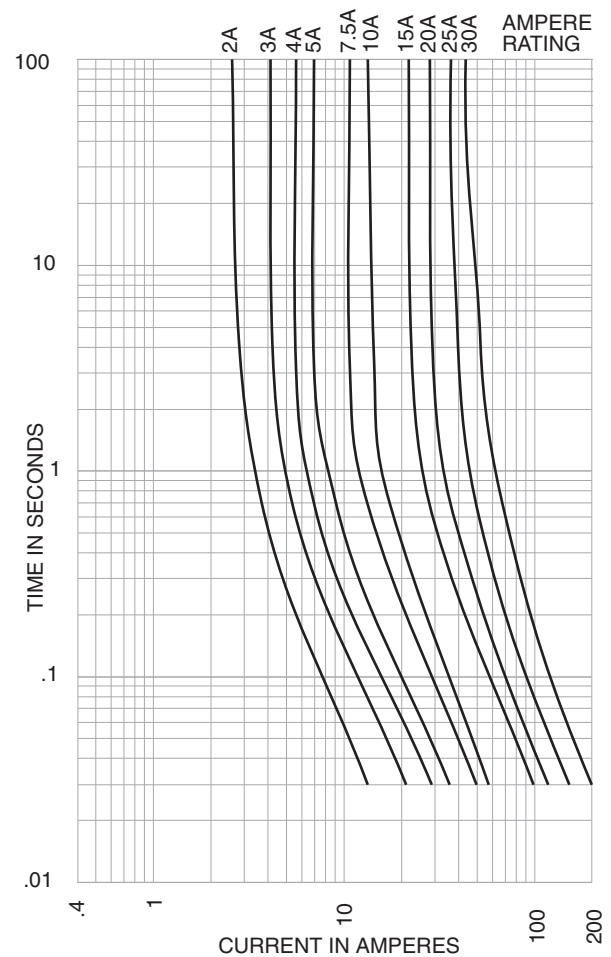
**Interrupting Rating:** 1,000 Amperes

**Ordering:** Specify packaging and product code

**SPECIFICATIONS**

| Product Code | Body Color    | Voltage Rating DC |
|--------------|---------------|-------------------|
| ATM-2        | Gray          | 32V               |
| ATM-3        | Violet        | 32V               |
| ATM-4        | Pink          | 32V               |
| ATM-5        | Tan           | 32V               |
| ATM-7 1/2    | Brown         | 32V               |
| ATM-10       | Red           | 32V               |
| ATM-15       | Lt. Blue      | 32V               |
| ATM-20       | Yellow        | 32V               |
| ATM-25       | Natural White | 32V               |
| ATM-30       | Green         | 32V               |

**Time-Current Characteristic Curves—Average Melt**



**Recommended Bussmann Fuseholders**

| Blade-Type | Part  | Description        | Fuse Size | Wire Size                   |
|------------|-------|--------------------|-----------|-----------------------------|
| ATM        | HHM   | Fuseholder w/Cover | 3-30 Amps | #12 Lead Wire;<br>4" Length |
|            | HHM-B | Body Only          |           |                             |
|            | HHM-C | Cover Only         | —         | —                           |
|            | HHL   | Fuseholder w/Cover | 2-20 Amps | #16 Lead Wire;<br>4" Length |
|            | HHL-B | Body Only          |           |                             |

**PACKAGING CODE**

| Packaging Code | Description                            |
|----------------|--|
| Blank          | 5 pieces of fuses packed in a tin      |
| BK             | 500 pieces of fuses packed in a carton |