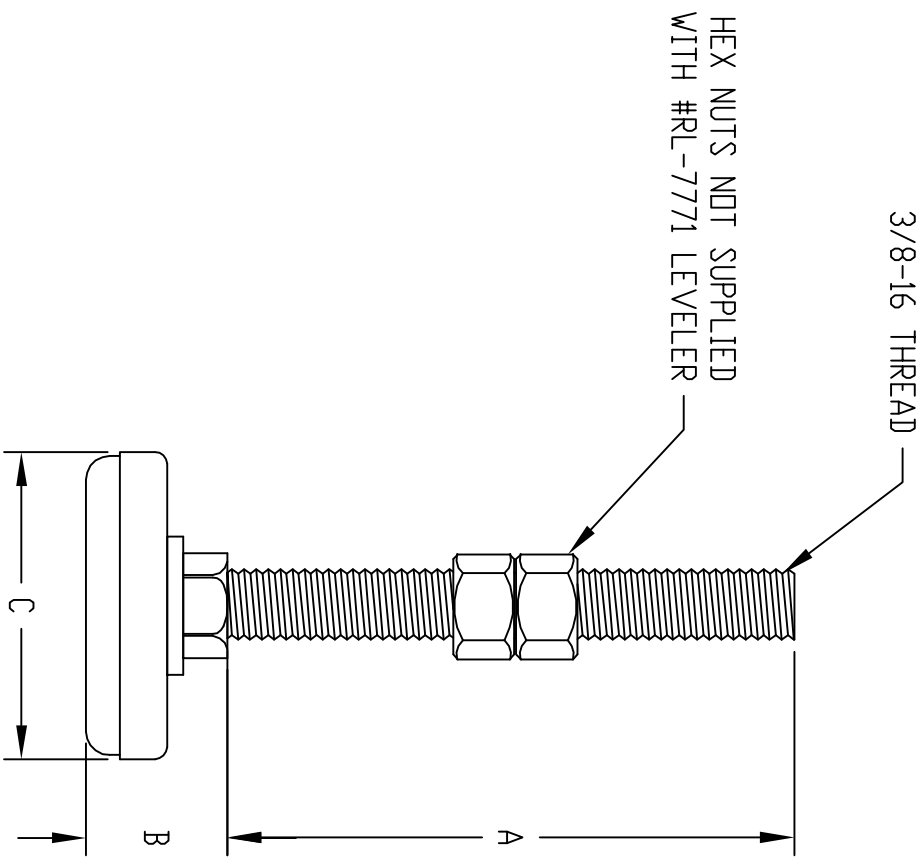


PART NAME

STEM LEVELER

PART No.

RL-7766, RL-7767, RL-7771



MATERIAL:

STEM & CAP, HEX NUTS \_\_\_\_\_ STEEL  
 PAD \_\_\_\_\_ RUBBER (RL-7766)  
 \_\_\_\_\_ NYLON (RL-7767)  
 \_\_\_\_\_ RUBBER NON-SKID (RL-7771)

FINISH:

STEM & CAP \_\_\_\_\_ ZINC PLATE WITH  
 \_\_\_\_\_ CLEAR CHROMATE  
 HEX NUT \_\_\_\_\_ ZINC PLATE  
 PAD \_\_\_\_\_ GREY (RL-7766 & RL-7771)  
 \_\_\_\_\_ WHITE (RL-7767)

QTY. (2) HEX NUTS ARE SUPPLIED WITH  
 #RL-7766 & #RL-7767 LEVELERS

PART No.	DIMENSION A	DIMENSION B	DIMENSION C	LOAD RATING
RL-7766	3.000	1.000	1.500	200 LBS.
RL-7767	3.000	0.750	1.625	200 LBS.
RL-7771	2.000	0.750	1.625	200 LBS.