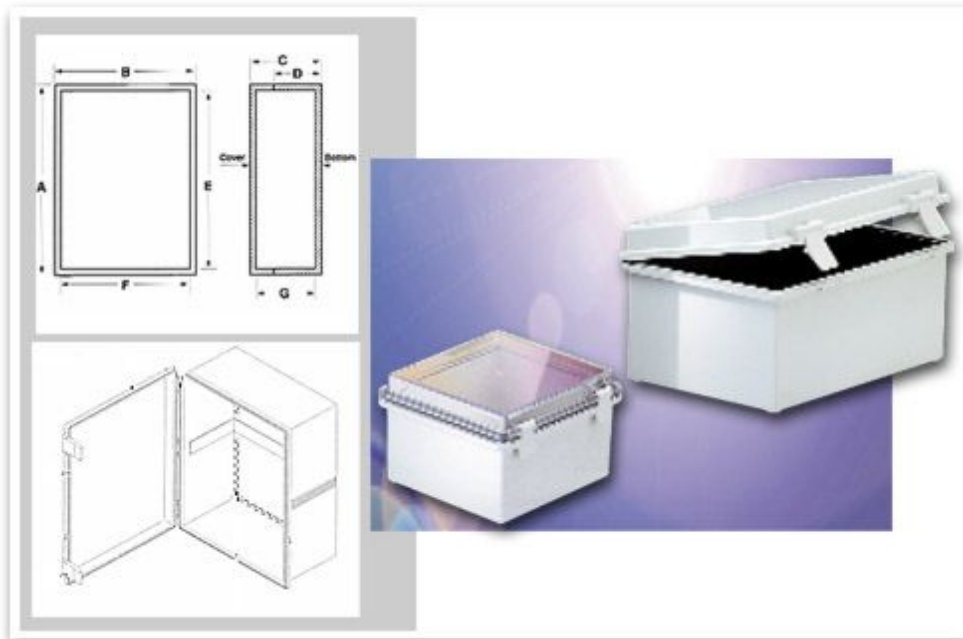


[Get A Quote](#)

Plastic Boxes
**UL/NEMA/IEC NBB
Series**

[Click on Image for Larger View](#)

Most of these gasketed enclosures have been tested and approved to UL508-4X specifications, with a few being approved to UL50-4X. All enclosures meet NEMA-4X and IEC529-IP66 requirements.

Design Features

Indoor Versions:

- ABS plastic enclosures are molded out of light gray material with a UL94-HB flammability rating.
- UL508-4X enclosures are molded out of light gray ABS/PC blended plastic with a UL94-5VB flammability rating.
- Clear doors for all models are Polycarbonate plastic with a UL94-V0 flammability rating.

Outdoor Versions:

- UL508-4X enclosures are molded out of light gray ABS/PBT blended plastic with a UL94-5VA flammability rating.

ABS Version Catalog Number***	UL508-4X Indoor Version Catalog Number		UL508-4X Outdoor Version Catalog Number		Dwgs.	External Dimensions				Internal Dimensions			Wgt. Lbs.
	Solid Door	Solid Door	Clear Door	Solid Door		Clear Door	A	B	C	D	E	F	
NBB-22220	NBB-10220	NBB-10230	*	*	PDF DXF	5.11"	3.94"	2.75"	1.96"	4.37"	3.18"	2.53"	0.5
NBB-22221	NBB-10221	NBB-10231	*	*	PDF DXF	5.90"	3.94"	2.75"	1.96"	5.11"	3.18"	2.53"	0.6
NBB-22222	NBB-10222	NBB-10232	*	*	PDF DXF	7.87"	3.94"	2.75"	1.96"	7.08"	3.18"	2.53"	0.7
NBB-22223	NBB-10223	NBB-10233	*	*	PDF DXF	10.63"	3.94"	2.75"	1.96"	9.88"	3.18"	2.53"	1.1
NBB-22240	NBB-10240	NBB-10260	NBB-15240	*	PDF DXF	5.90"	5.90"	3.57"	2.75"	5.04"	5.04"	3.27"	1.2
NBB-22241	NBB-10241	NBB-10261	*	*	PDF DXF	10.73"	6.79"	4.33"	3.15"	9.84"	5.90"	4.07"	1.7
NBB-22243	NBB-10243	NBB-10263	NBB-15243	*	PDF DXF	11.28"	7.47"	5.50"	4.33"	10.46"	6.65"	5.25"	2.2
NBB-22245	NBB-10245	NBB-10265	NBB-15245	*	PDF DXF	13.00"	13.00"	7.04"	5.86"	12.14"	12.14"	6.79"	4.4
NBB-22247	NBB-10247	NBB-10267	NBB-15247	*	PDF DXF	15.68"	11.73"	6.30"	5.11"	14.88"	10.89"	6.03"	4.2
NBB-22251	NBB-10251	NBB-10271	*	*	PDF DXF	14.52"	10.55"	5.90"	4.72"	13.74"	9.76"	5.64"	3.5
NBB-22253	NBB-10253	NBB-10273	NBB-15253	*	PDF DXF	19 17"	14.64"	7.85"	6.67"	18.33"	13.75"	7.60"	6.6
NBB-22258	NBB-10258	NBB-10278	NBB-15258	*	PDF DXF	28.91"	21.03"	9.87"	8.66"	27.56"	19.67"	9.53"	17.2

* Contact factory for quotation. ** Contact factory. *** Not UL Listed

[DXF](#) Autocad DXF Specifications File
(Requires CAD software such as AutoCAD)

[PDF](#) Adobe PDF Specifications File



[Download PDF Viewer](#)

Get A Quote

[Home](#) | [Company Info](#) | [Online Catalog](#) | [Check Stock](#) | [Distributor/Price](#)

[Reps](#) | [New](#) | [Search](#) | [Contact](#) | [Privacy Policy](#)

BUD INDUSTRIES INC.

P.O. Box 998

Willoughby, Ohio 44094

Phone: 440-946-3200 Fax: 440-951-4015

E-Mail: saleseast@budind.com

PART NAME	NON-METALLIC ENCLOSURE (STYLE B)	PART No.	NBB-10240 & NBB-10260 & NBB-15240	REV. DATE	7-23-14
-----------	----------------------------------	----------	-----------------------------------	-----------	---------

MATERIAL:
UL LISTED INDOOR VERSION
 SOLID BODY & COVER _____ ABS/PC BLENDED PLASTIC
 UL94-5VA FLAMMABILITY RATING

CLEAR COVER _____ POLYCARBONATE PLASTIC
 UL94V-0 FLAMMABILITY RATING
 UV STABILIZED

UL LISTED OUTDOOR VERSION
 SOLID BODY & COVER _____ PBT/PC BLENDED PLASTIC
 UL94-5VA FLAMMABILITY RATING
 UV STABILIZED

ALL VERSIONS
 GASKET _____ MODIFIED POLYURETHANE

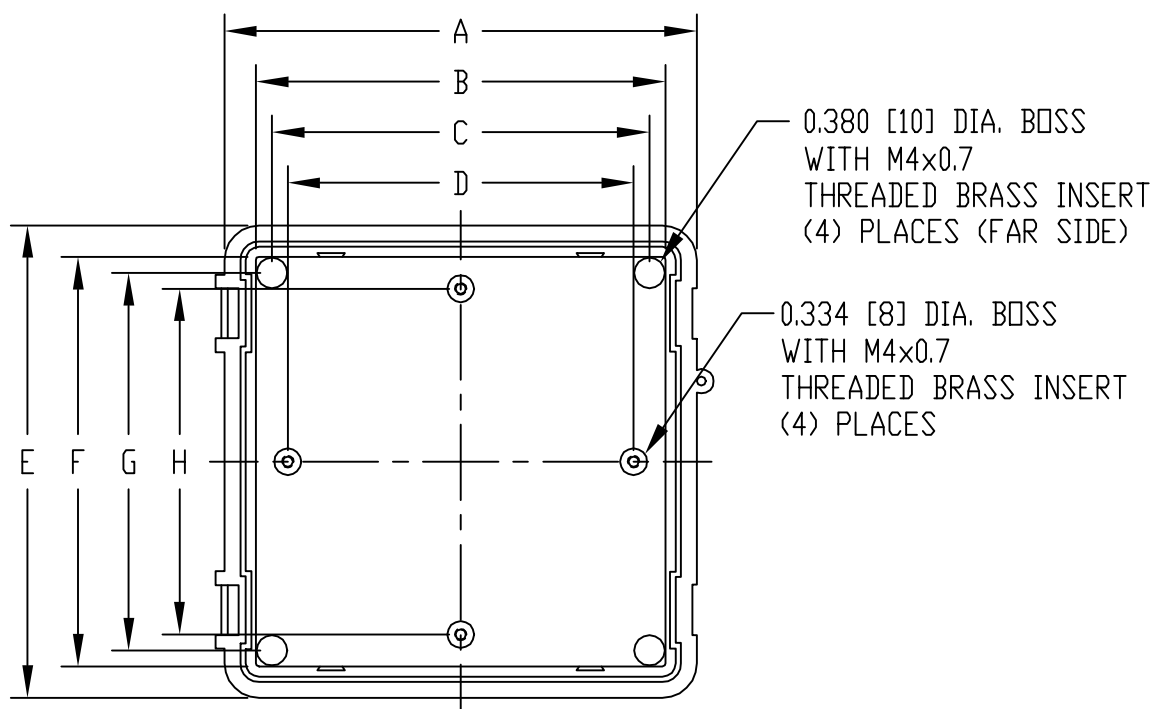
FINISH:
 BODY _____ LIGHT GRAY
 COVER _____ LIGHT GRAY OR CLEAR

LATCHES & HINGES _____ NON-METALLIC
 WALL MOUNTING BRACKETS _____ STAINLESS STEEL

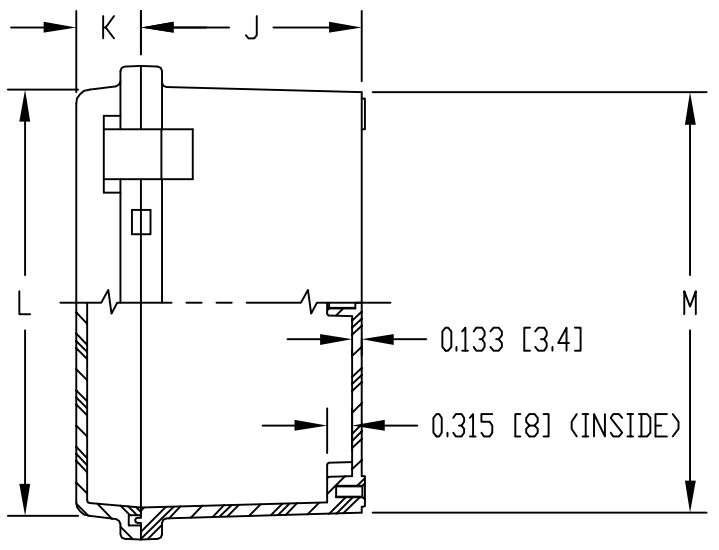
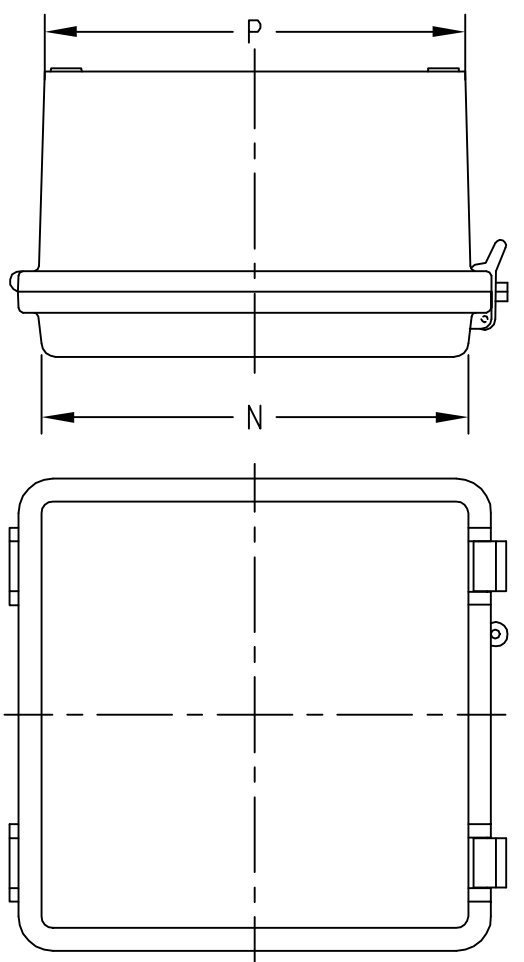
NOTE: UNIT COMES COMPLETE WITH (4) WALL MOUNTING BRACKETS & (4) M4x0.7 x 8mm LG. TRUSS HEAD MACHINE SCREWS (NOT SHOWN)

COVER INCLUDES GRAY POLYURETHANE GASKET.

INDUSTRY STANDARDS:
 UL508-4X TYPE 1, 4 AND 4X
 NEMA TYPE 1, 4 AND 4X
 IEC529-IP66



VIEW LESS COVER



DIMENSIONS = INCHES [MILLIMETERS]

NOTE: ALL DIMENSIONS HAVE ±0.039 [±1] TOLERANCE UNLESS OTHERWISE SPECIFIED

AIR AND MOISTURE VENTS, GALVANIZED STEEL AND PLASTIC INTERNAL PANELS ARE NOT INCLUDED, BUT CAN BE PURCHASED SEPARATELY.

UL LISTED INDOOR VERSION		UL LISTED OUTDOOR VERSION	DIMENSIONS													
PART NO.		PART NO.	DIMENSIONS													
SOLID COVER	CLEAR COVER	SOLID COVER	A	B	C	D	E	F	G	H	J	K	L	M	N	P
NBB-10240	NBB-10260	NBB-15240	5.904 [150]	5.040 [128]	4.606 [117]	4.322 [110]	5.904 [150]	5.040 [128]	4.606 [117]	4.322 [110]	2.753 [70]	0.815 [21]	5.330 [135]	5.255 [133]	5.330 [135]	5.255 [133]