

Plastic Boxes
UL/NEMA/IEC NBA Series



[Click on Image for Larger View](#)

These gasketed enclosure meet NEMA 4X, IEC529, IP65, and UL-508-4X specifications which allows them to be used in many wet, dirty and/or corrosive environments.

Design Features

Indoor Versions:


*ABS/PC blended plastic with UL94-5VB flammability rating. Suggested service temperature range -40C to +70C.

*Clear doors are polycarbonate with UL94-5VA flammability rating.

Outdoor Versions:

*PC/PBT blended plastic with UL94-5VA flammability rating and UV stabilized

Catalog Number				NBA Series											
Solid Door	Clear Door	Solid Door	Clear Door	Drawings	A	B	C	A	B	C	D	E	F	G	Wgt. Lbs.
NBA-10142	NBA-10162	Contact BUD		PDF DXF	300mm	200mm	150mm	11.80"	7.85"	5.97"	4.80"	11.00"	7.02"	5.69"	2.2
NBA-10144	NBA-10164			PDF DXF	300mm	200mm	180mm	11.80"	7.85"	7.09"	5.90"	11.00"	7.02"	6.80"	2.5

NBA-10148	NBA-10168	Factory		400mm	300mm	180mm	15.75"	11.80"	7.09"	5.90"	14.93"	10.94"	6.80"	4.7
NBA-10152	NBA-10172			500mm	400mm	200mm	19.68"	15.75"	7.87"	6.69"	18.85"	14.90"	7.60"	7.4
NBA-10156	NBA-10176			600mm	400mm	230mm	23.61"	15.75"	9.06"	7.87"	22.78"	14.90"	8.80"	9.5

 [Autocad DXF Specifications File](#)
 (Requires CAD software such as AutoCAD)

 [Adobe PDF Specifications File](#)



[Download PDF Viewer](#)

[Home](#) | [Company Info](#) | [Online Catalog](#) | [Check Stock](#) | [Distributor/Price](#)

[Reps](#) | [New](#) | [Search](#) | [Contact](#) | [Privacy Policy](#)

BUD INDUSTRIES INC.

P.O. Box 998

Willoughby, Ohio 44094

Phone: 440-946-3200 Fax: 440-951-4015

E-Mail: saleseast@budind.com

PART NAME

LARGE NON-METALLIC ENCLOSURE (STYLE A)

PART No.

NBA-10144 & NBA-10164

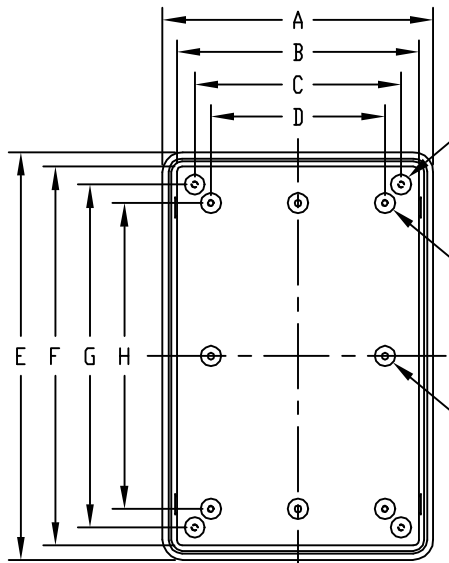
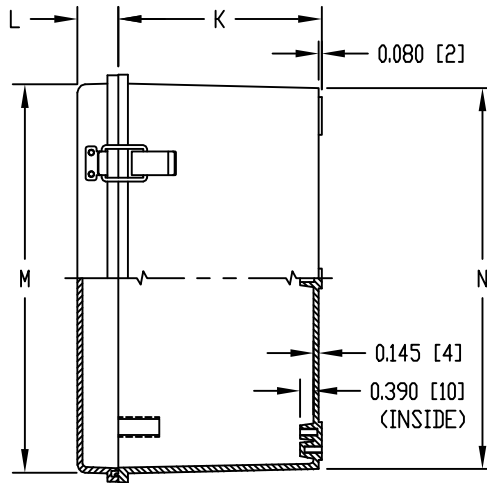
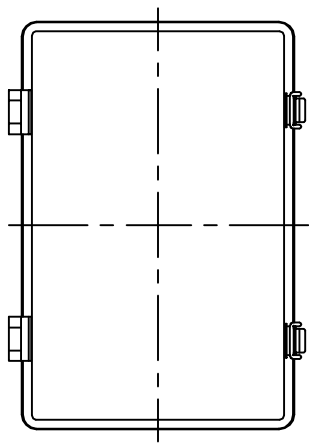
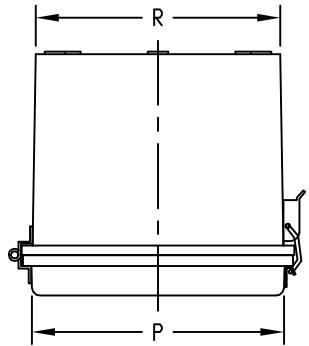
MATERIAL:

SOLID BODY & COVER _____ ABS/PC BLENDED PLASTIC
 UL94-5VB FLAMMABILITY RATING
 -40°C TO +70°C TEMPERATURE RANGE
 CLEAR COVER _____ POLYCARBONATE PLASTIC
 UL94-V0 FLAMMABILITY RATING
 -40°C TO +70°C TEMPERATURE RANGE
 UV STABILIZED

LATCHES, HINGES &
 WALL MOUNTING BRACKETS _____ STAINLESS STEEL

FINISH:

BODY _____ LIGHT GRAY
 COVER _____ LIGHT GRAY OR CLEAR



VIEW LESS COVER

0.590 [15] DIA. BOSS WITH M5 x 0.8mm THREADED BRASS INSERT (4) PLACES FAR SIDE

0.590 [15] DIA. BOSS WITH M5 x 0.8mm THREADED BRASS INSERT (4) PLACES

0.590 [15] DIA. BOSS WITH 0.197 [5] DIA. HOLE x 0.395 [10] DEEP (4) PLACES

COVER IS GASKETED.

NOTE: UNIT COMES COMPLETE WITH FOUR (4) STAINLESS STEEL WALL MOUNTING BRACKETS. (NOT SHOWN)

INTERNAL HINGED PANEL MOUNTING BRACKETS, AIR & MOISTURE VENTS, STAINLESS STEEL LOCKING HASP AND GALVANIZED STEEL INTERNAL PANEL ARE NOT INCLUDED, BUT CAN BE PURCHASED SEPARATELY.

INDUSTRY STANDARDS:

UL508 TYPE 1, 2, 4, 4X INDOOR, 12 & 13
 NEMA TYPE 1, 2, 4, 4X, 12 & 13
 IEC529, IP66

DIMENSIONS = INCHES [MILLIMETERS]

NOTE: ALL DIMENSIONS HAVE ±0.039 [±1] TOLERANCE UNLESS OTHERWISE SPECIFIED

PART NO.		DIMENSIONS													
SOLID COVER	CLEAR COVER	A	B	C	D	E	F	G	H	K	L	M	N	P	R
NBA-10144	NBA-10164	7.848 [199]	7.021 [178]	5.990 [152]	5.050 [128]	11.832 [301]	10.989 [279]	9.949 [253]	8.872 [225]	5.899 [150]	1.186 [30]	11.253 [286]	11.060 [281]	7.308 [186]	7.100 [180]