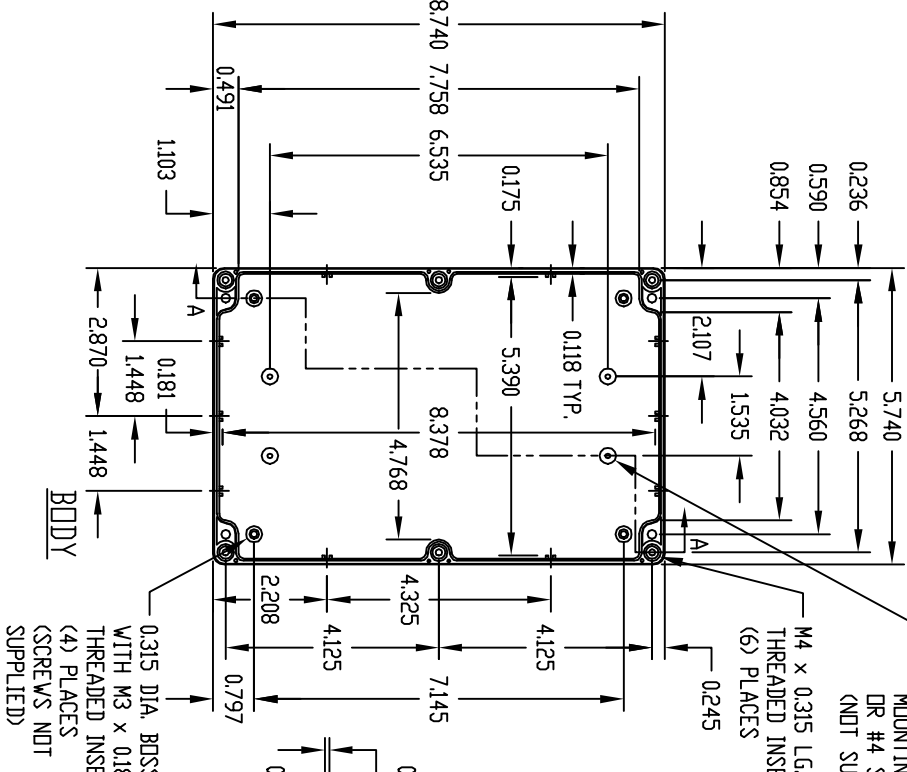


PART NAME: NEMA 4X ENCLOSURE

PART No.

PN-1329, PN-1329-C AND PN-1329-DG

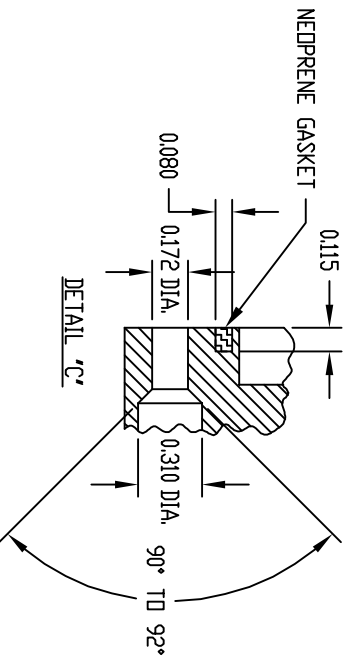
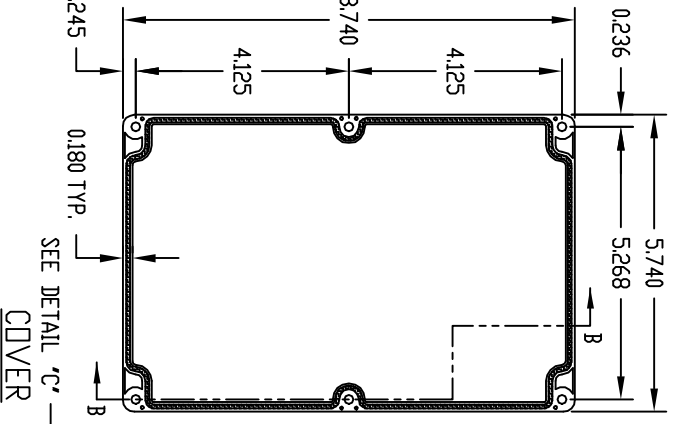
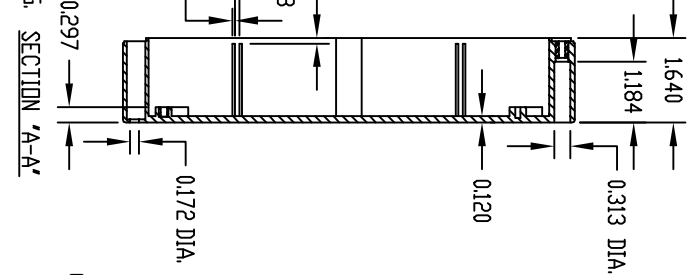
INDUSTRY STANDARDS:
 POLYCARBONATE (LIGHT GRAY AND CLEAR)
 UL 94V-2 FLAMMABILITY RATING (UL FILE #E41613)
 UV STABILIZED
 SERVICE TEMPERATURE RANGE: -40°C TO +120°C
 ABS (DARK GRAY)
 UL 94-HB FLAMMABILITY RATING (UL FILE #E56070)
 SERVICE TEMPERATURE RANGE: -40°C TO +80°C



0.315 DIA. BOSS WITH
 0.090 DIA. HOLE x 0.190 DEEP
 (4) PLACES
 MOUNTING BOSSES USE EITHER M2.5 METRIC
 DR #4 STD. SHEET METAL SCREWS x 0.188" LG.
 (NOT SUPPLIED)

M4 x 0.315 LG.
 THREADED INSERT
 (6) PLACES
 0.245

NOTE: ALL DIMENSIONS HAVE ±0.015 TOLERANCE UNLESS OTHERWISE SPECIFIED.



PART NUMBER	MATERIAL		FINISH		HARDWARE KIT
	BODY	COVER	BODY	COVER	
PN-1329	POLYCARBONATE	POLYCARBONATE	LIGHT GRAY	LIGHT GRAY	KIT CONTAINS (6) M4 x 20mm (0.787") LG. SCREWS FOR ASSEMBLY
PN-1329-C	POLYCARBONATE	POLYCARBONATE	LIGHT GRAY	CLEAR	
PN-1329-DG	HIGH-IMPACT ABS	HIGH-IMPACT ABS	DARK GRAY	DARK GRAY	