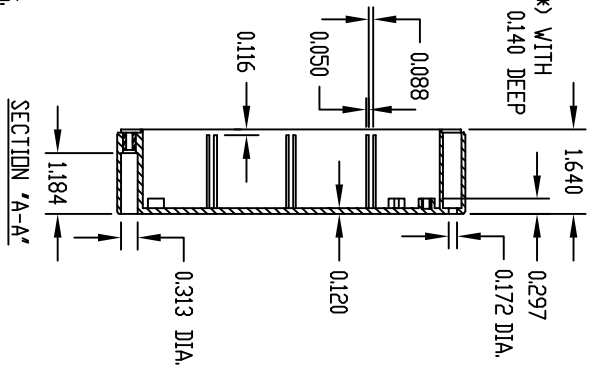
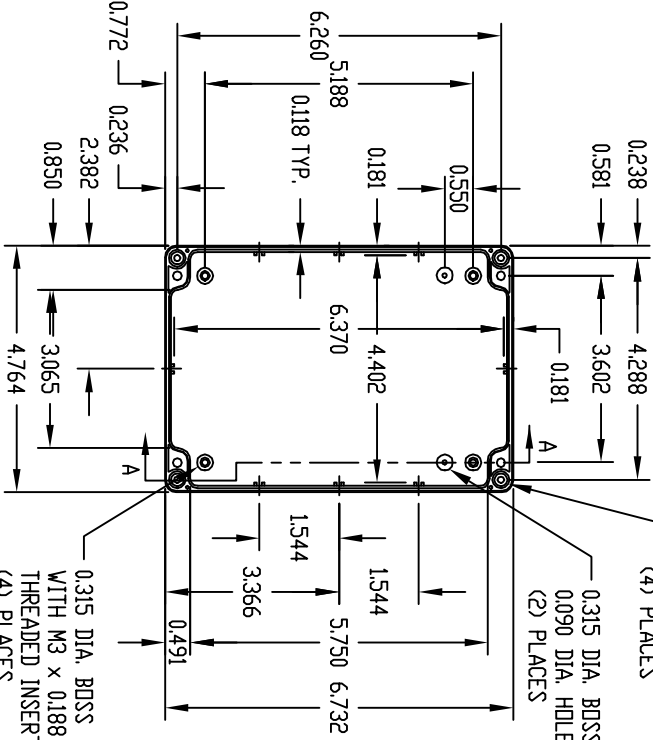


PART NAME: NEMA 4X ENCLOSURE

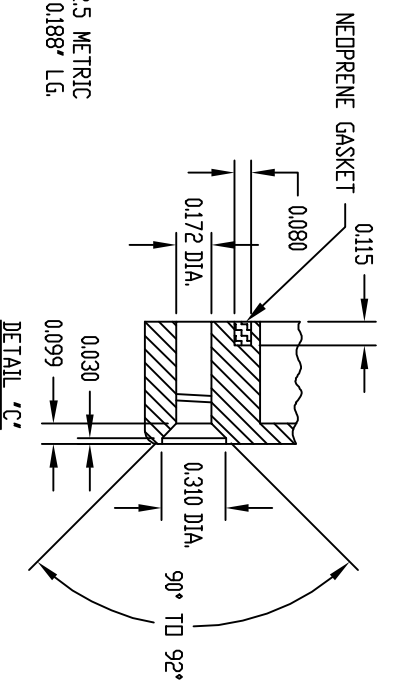
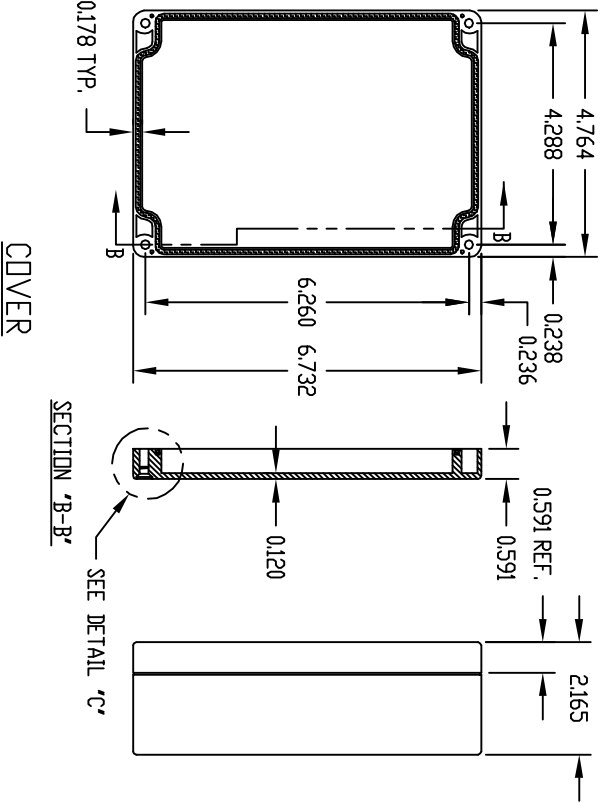
PART No.

PN-1324, PN-1324-C AND PN-1324-DG

INDUSTRY STANDARDS:
 POLYCARBONATE (LIGHT GRAY AND CLEAR)
 UL 94V-2 FLAMMABILITY RATING
 (UL FILE #E41613)
 UV STABILIZED
 SERVICE TEMPERATURE RANGE:
 -40°C TD +120°C
 ABS (DARK GRAY)
 UL 94-HB FLAMMABILITY RATING
 (UL FILE #E56070)
 SERVICE TEMPERATURE RANGE:
 -40°C TD +80°C



(*) MOUNTING BOSSES USE EITHER M2.5 METRIC DR #4 STD. SHEET METAL SCREWS x 0.188" LG. (NOT SUPPLIED)



BODY (SCREWS NOT SUPPLIED)

COVER

NOTE: ALL DIMENSIONS HAVE ±0.015 TOLERANCE UNLESS OTHERWISE SPECIFIED.

PART NUMBER	MATERIAL	FINISH	HARDWARE KIT
PN-1324	POLYCARBONATE	LIGHT GRAY	M4 x 20mm (0.787") LG. SCREWS FOR ASSEMBLY
PN-1324-C	POLYCARBONATE	LIGHT GRAY	M4 x 20mm (0.787") LG. SCREWS FOR ASSEMBLY
PN-1324-DG	HIGH-IMPACT ABS	DARK GRAY	M4 x 20mm (0.787") LG. SCREWS FOR ASSEMBLY