

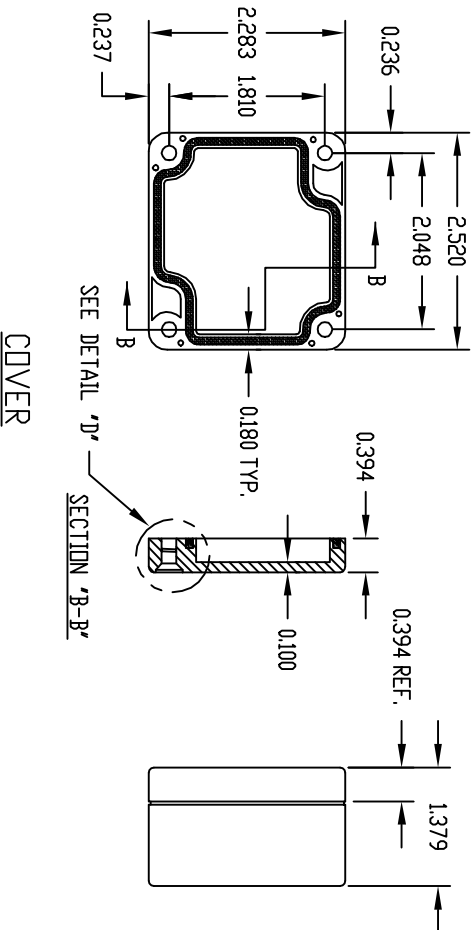
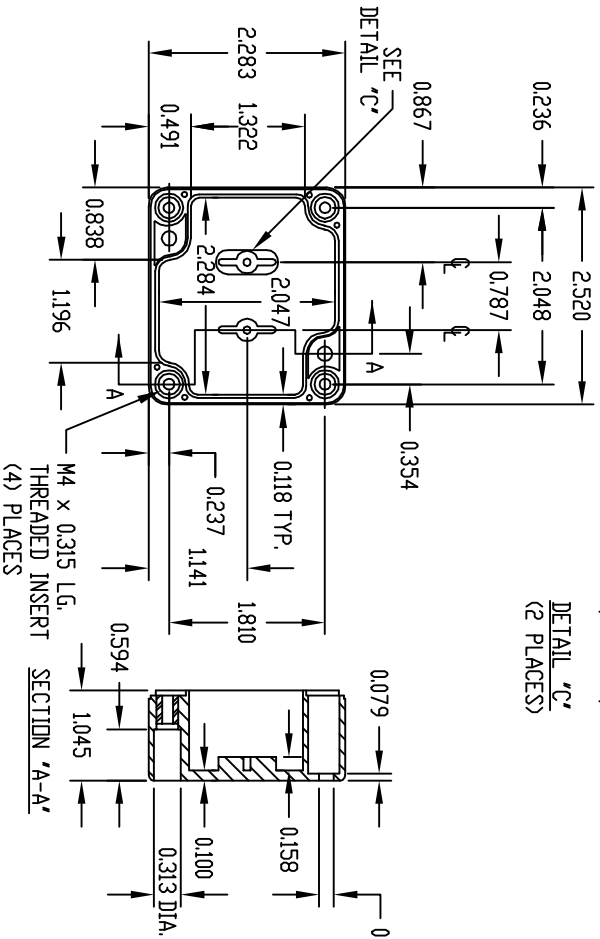
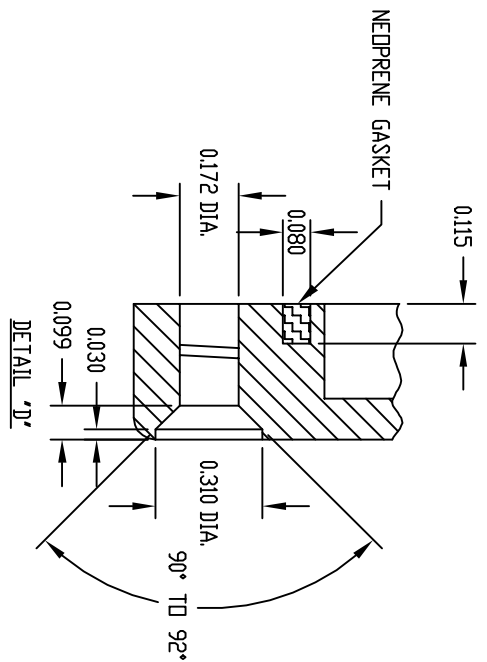
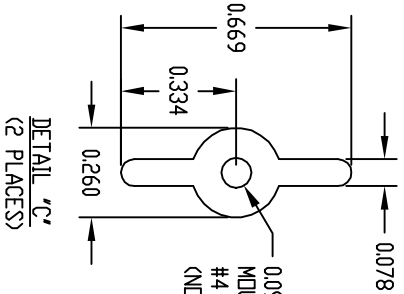
PART NAME NEMA 4X ENCLOSURE

PART No.

PN-1320, PN-1320-C AND PN-1320-DG

INDUSTRY STANDARDS:

POLYCARBONATE (LIGHT GRAY AND CLEAR)  
 UL94V-2 FLAMMABILITY RATING  
 (UL FILE #E41613)  
 UV STABILIZED  
 SERVICE TEMPERATURE RANGE:  
 -40°C TD +120°C  
 ABS (DARK GRAY)  
 UL94-HB FLAMMABILITY RATING  
 (UL FILE #E56070)  
 SERVICE TEMPERATURE RANGE:  
 -40°C TD +80°C



BODY

M4 x 0.315 LG. THREADED INSERT (4) PLACES

SECTION 'A-A'

COVER

SECTION 'B-B'

NOTE: ALL DIMENSIONS HAVE ±0.015 TOLERANCE UNLESS OTHERWISE SPECIFIED.

PART NUMBER	MATERIAL		FINISH		HARDWARE KIT
	BODY	COVER	BODY	COVER	
PN-1320	POLYCARBONATE	POLYCARBONATE	LIGHT GRAY	CLEAR	KIT CONTAINS (4) M4 x 20mm (0.787") LG. SCREWS FOR ASSEMBLY
PN-1320-C	POLYCARBONATE	POLYCARBONATE	LIGHT GRAY	CLEAR	
PN-1320-DG	HIGH-IMPACT ABS	HIGH-IMPACT ABS	DARK GRAY	CLEAR	