



Accessories - Doors  
**Econoglas &  
Plexigas Doors**



For Classic II and Economizer Upright Cabinet Racks

## ***Design Features***

### **Econoglas door**

Aluminum frame door with gasketed .18" thick smoke gray plastic insert. Can be used in place of a normal steel door. Comes standard with keylock.



<b>Econoglas Doors With Lock (19" Panel Width)</b>			
<b>Catalog No.</b>	<b>Drawings</b>	<b>Panel Space Height</b>	<b>Weight Lbs.</b>
V-9760-L		21.00"	11
V-9763-L		42.00"	19
V-9764-L		52.50"	20
V-9765-L		61.25"	23
V-9766-L		70.00"	24
V-9767-L		78.75"	26



PART NAME	ECONOGLAS DOOR	PART No.	V-9760-L & V-9763-L thru V-9767-L
-----------	----------------	----------	-----------------------------------

**MATERIAL:**

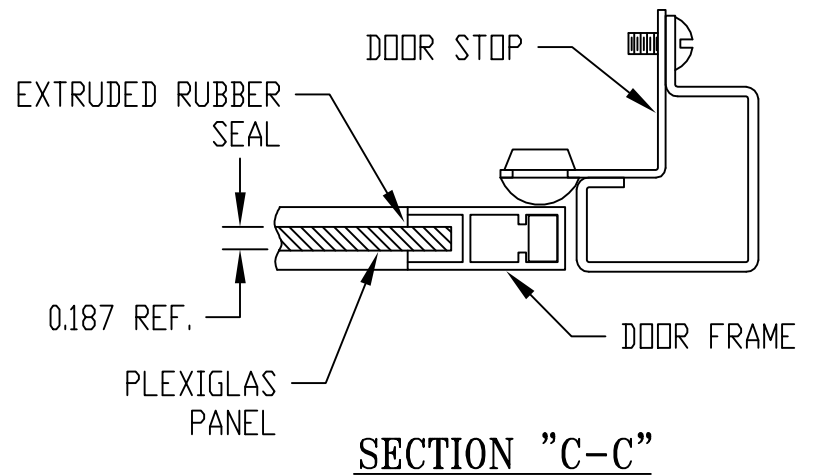
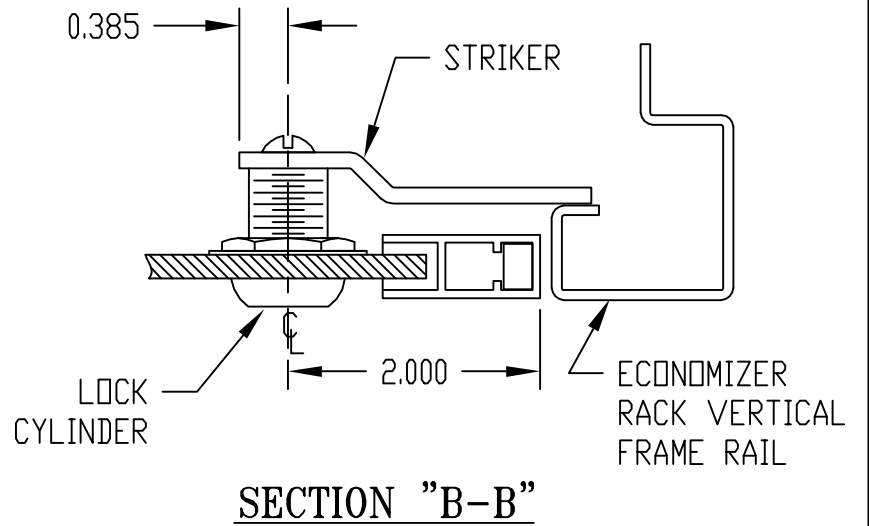
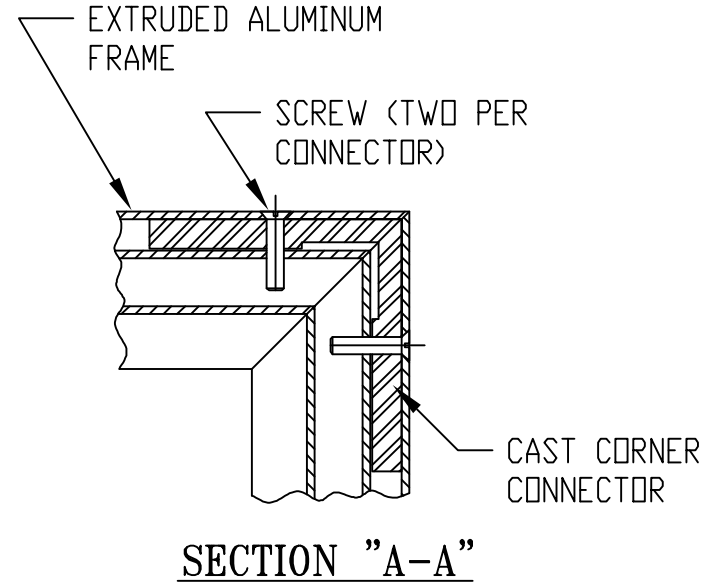
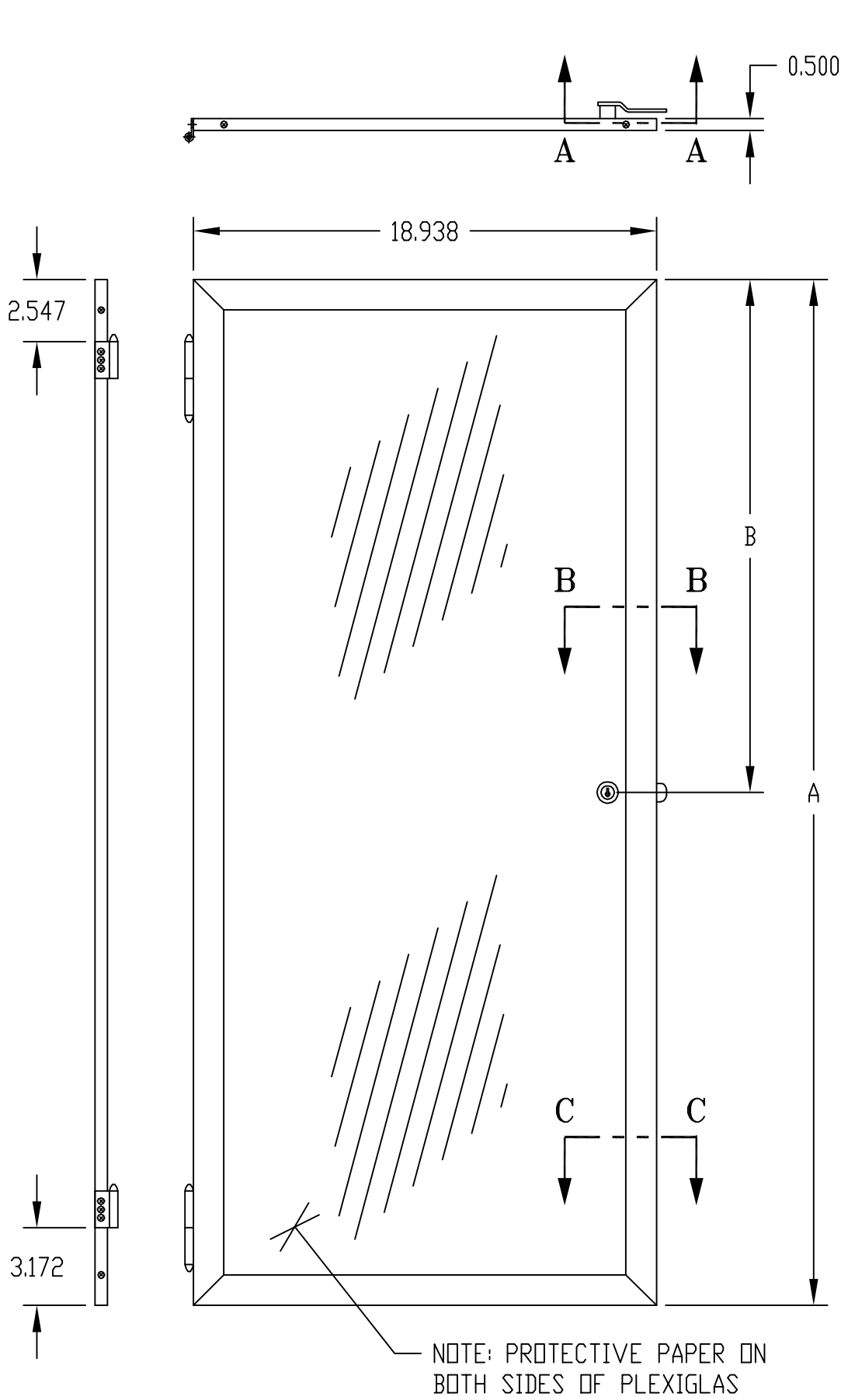
DOOR FRAME \_\_\_\_\_ ALUMINUM EXTRUSION  
 DOOR PANEL \_\_\_\_\_ 0.187 THICK PLEXIGLAS  
 WASHER \_\_\_\_\_ 20 GA. STAINLESS STEEL  
 DOOR STOPS \_\_\_\_\_ 16 GA. STEEL  
 HINGES \_\_\_\_\_ 14 GA. STEEL  
 STRIKER \_\_\_\_\_ 0.125 x 0.750 STAINLESS STEEL BAR STOCK

**DOOR:**

- CLEARS PANEL SPACE WHEN OPENED 90° OR MORE
- IS HELD CLOSED WITH LOCK
- FITS ECONDMIZER UPRIGHT CABINET RACKS AND CLASSIC II CABINET RACKS

**FINISH:**

DOOR FRAME \_\_\_\_\_ CLEAR ANODIZED  
 DOOR PANEL \_\_\_\_\_ SMOKE GRAY  
 STRIKER, WASHER \_\_\_\_\_ NATURAL  
 DOOR STOPS \_\_\_\_\_ SMOOTH BLACK  
 HINGES \_\_\_\_\_ METALLIC GRAY



PART NO. LOCKING	HEIGHT A	B	RACK VERTICAL PANEL SPACE
V-9760-L	20.938	10.469	21.000
V-9763-L	41.938	20.969	42.000
V-9764-L	52.438	26.219	52.500
V-9765-L	61.188	30.594	61.250
V-9766-L	69.938	34.969	70.000
V-9767-L	78.688	39.344	78.750