

PART NAME

HANDLE/BAIL KIT

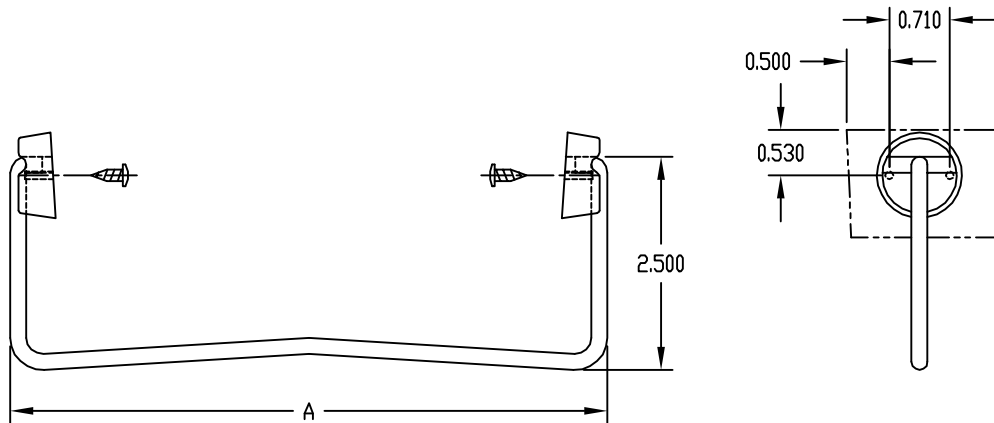
PART No.

HB-11496 & HB-11498

MATERIAL: HANDLE _____ 3/16 DIA. STEEL
 ATTACHMENT BUTTONS _____ MOLDED ABS
 FEET _____ RUBBER

FINISH: HANDLE _____ CHROME PLATED
 ATTACHMENT BUTTONS & FEET _____ BLACK

SUPPLIED WITH (4) MOUNTING SCREWS



PART No.	DIM. A	WILL FIT
HB-11496	7.000	PC-11406, PC-11410, PC-11414
HB-11498	9.000	PC-11408, PC-11412, PC-11416

PART NAME

EXTERNAL MOUNTING BRACKET

PART No.

MB-1390-LG & MB-1390-DG

MATERIAL: NYLON 66

FINISH:
 (SUFFIX -LG) LIGHT GRAY
 (SUFFIX -DG) DARK GRAY

EACH KIT INCLUDES: QTY. (4) BRACKETS
 QTY. (4) SCREWS

