

PART NAME

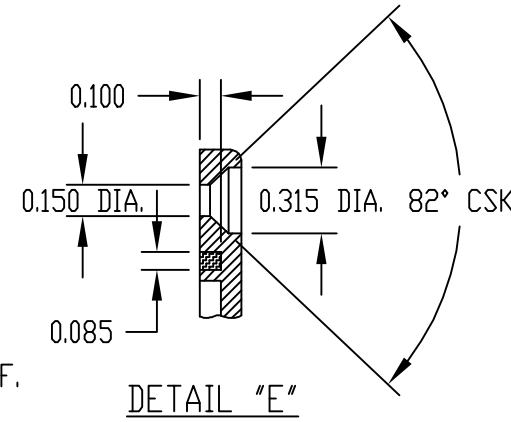
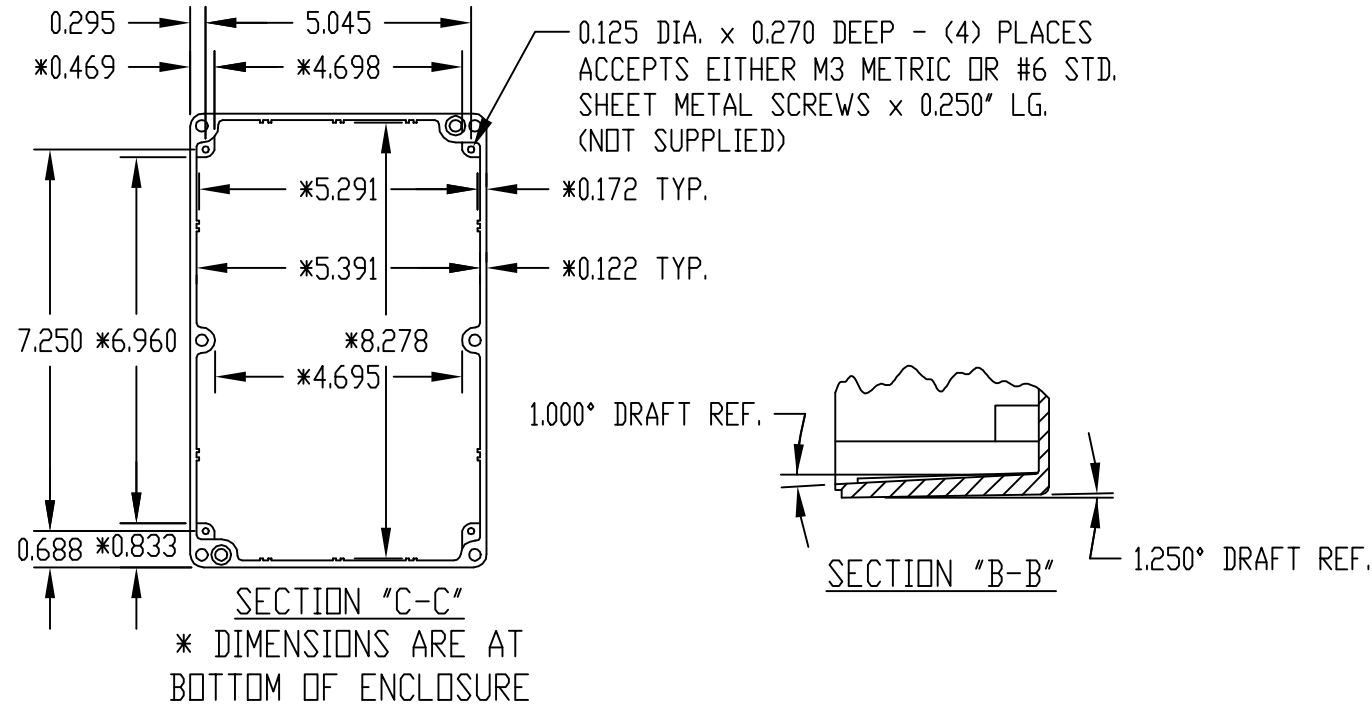
NEMA 4 ENCLOSURE

PART No.

AN-1307, AN-1307-G, AN-2807 & AN-2807-B

REV. DATE

2-12-04



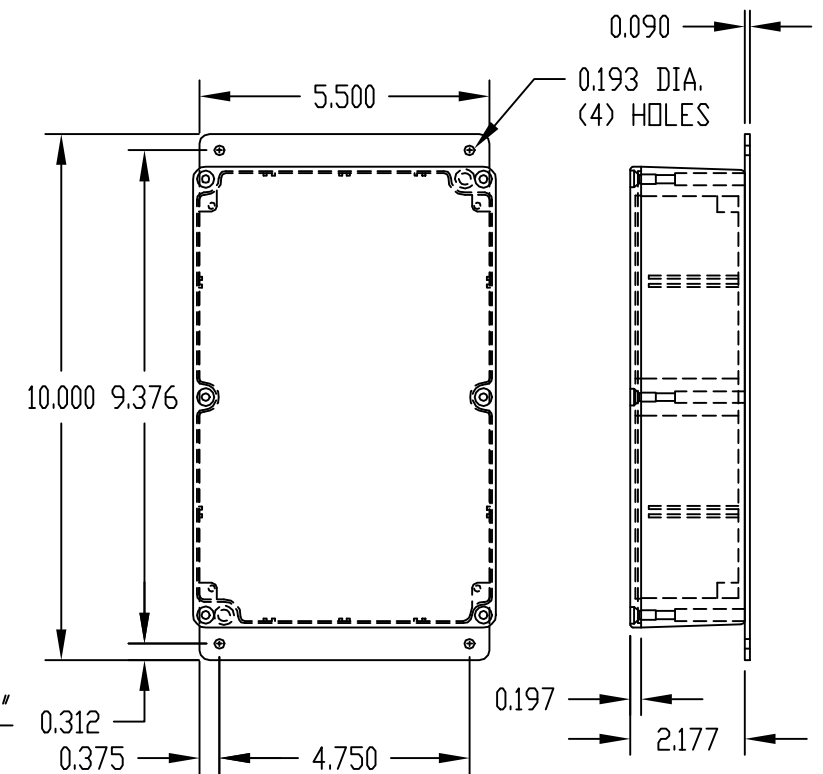
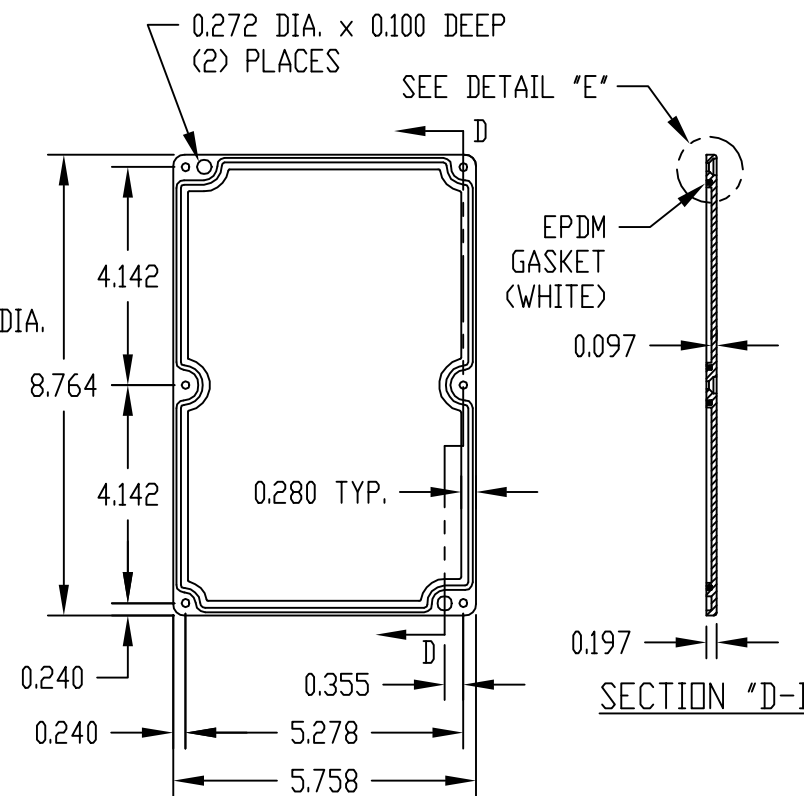
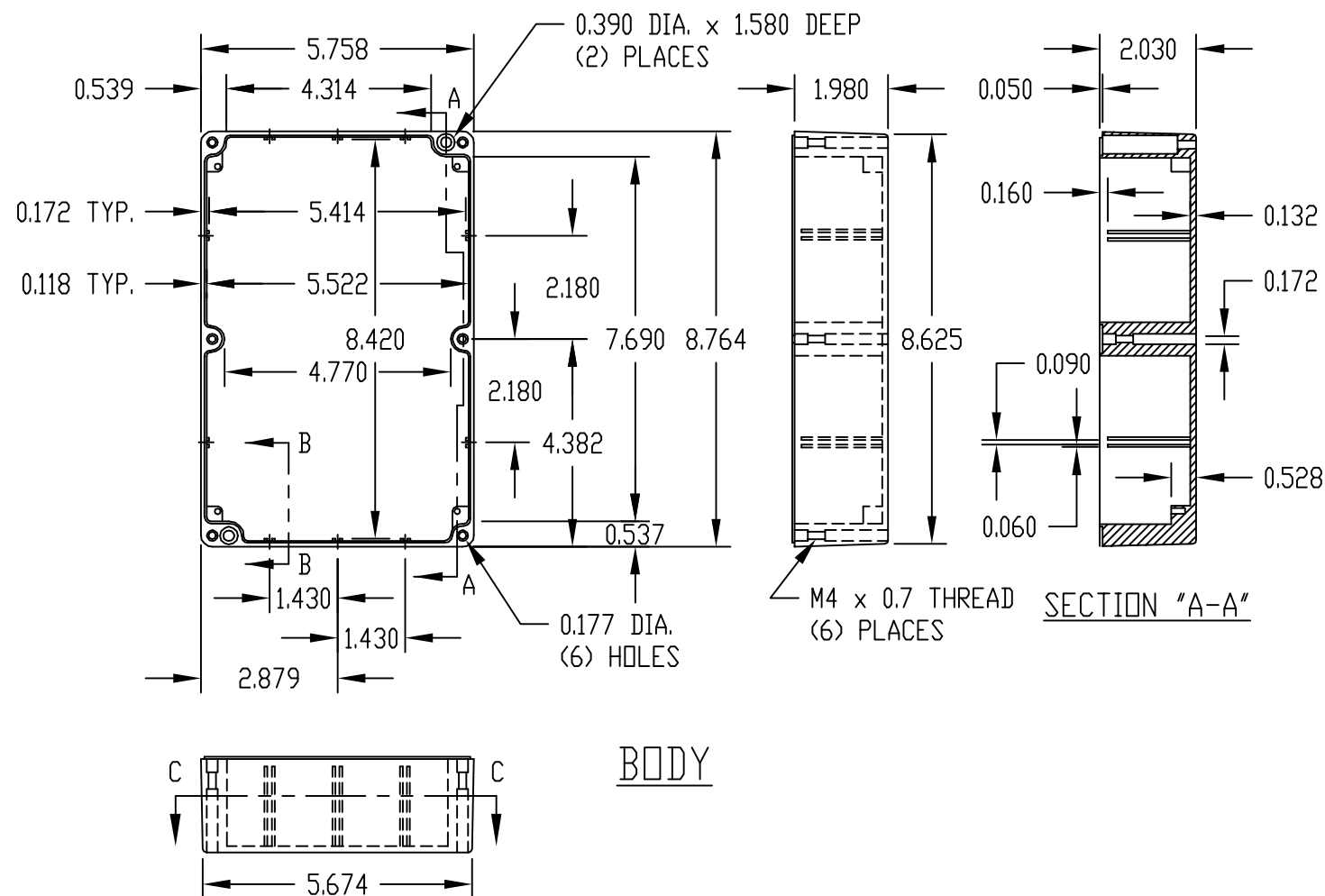
MATERIAL: ALUMINUM ALLOY #ADC-10

FINISH: NATURAL (NO SUFFIX)
GRAY (SUFFIX -G)
SMOOTH BLACK (SUFFIX -B)

SIX (6) M4 x 20mm (0.787") LG. SCREWS
SUPPLIED FOR ASSEMBLY.

TWO (2) M3.5 x 6mm LG. NICKEL PLATED
SCREWS AND WASHERS SUPPLIED FOR
GROUNDING

ALL DIMENSIONS HAVE ±0.015 TOLERANCE
UNLESS OTHERWISE SPECIFIED



PART NO. AN-2807 & AN-2807-B
ARE SUPPLIED WITH A WELDED
ON MOUNTING BRACKET ONLY.