

PART NAME

NEMA 4 ENCLOSURE

PART No.

AN-1305, AN-1305-G, AN-2805 & AN-2805-B

REV. DATE

2-12-04

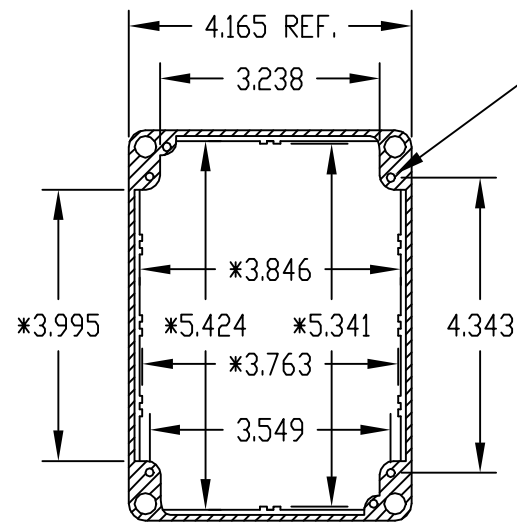
MATERIAL: ALUMINUM ALLOY #ADC-10

FINISH: NATURAL (NO SUFFIX)
GRAY (SUFFIX -G)
SMOOTH BLACK (SUFFIX -B)

FOUR (4) M4 x 20mm (0.787") LG. SCREWS SUPPLIED FOR ASSEMBLY.

TWO (2) M3.5 x 6mm LG. NICKEL PLATED SCREWS AND WASHERS SUPPLIED FOR GROUNDING

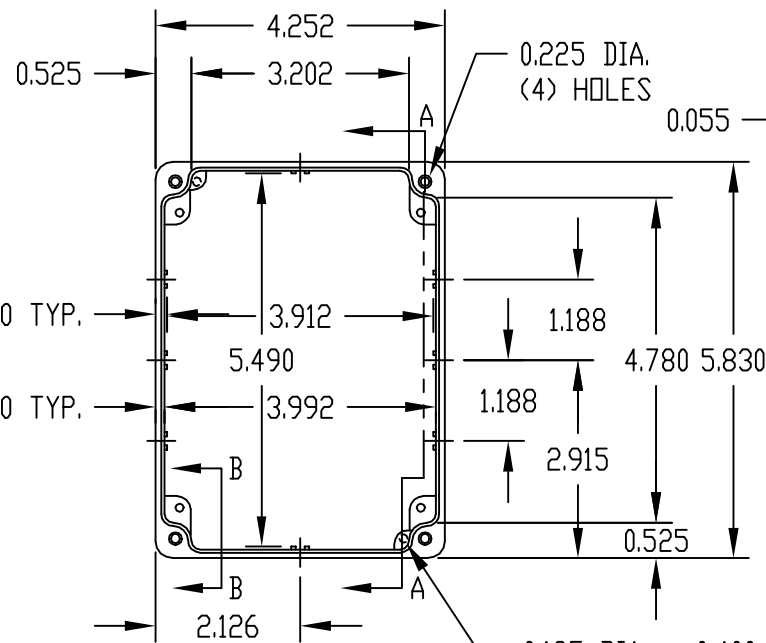
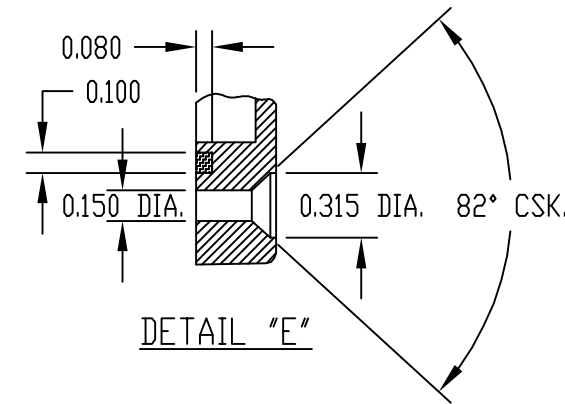
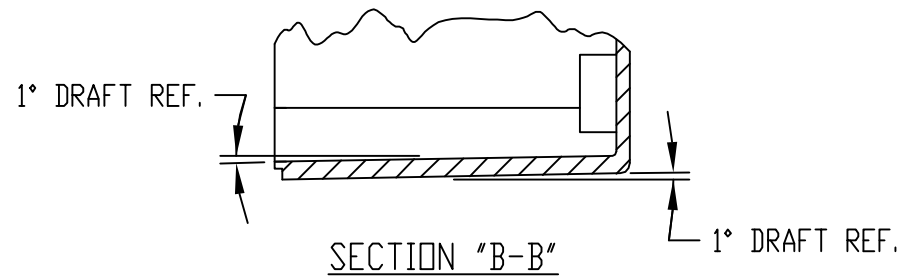
ALL DIMENSIONS HAVE ±0.015 TOLERANCE UNLESS OTHERWISE SPECIFIED



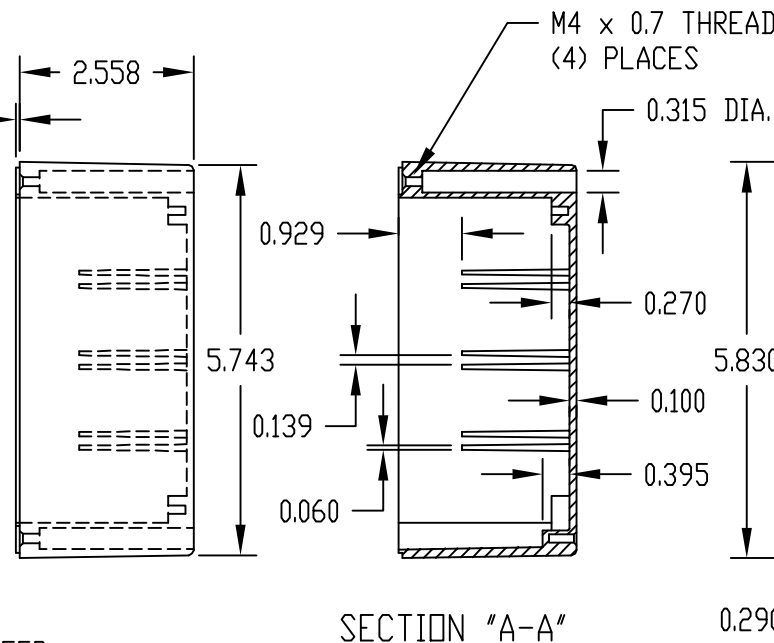
0.125 DIA. x 0.250 DEEP
(4) HOLES
ACCEPTS EITHER M3.5 METRIC
OR #6 STD. SHEET METAL
SCREWS x 0.250" LG.
(NOT SUPPLIED)

1° DRAFT REF.

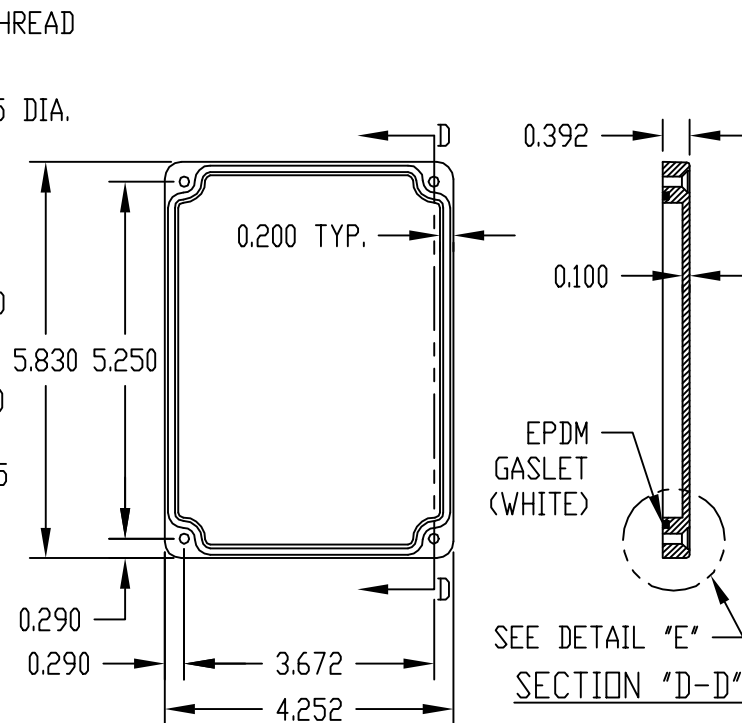
* DIMENSIONS ARE AT
BOTTOM OF ENCLOSURE



BODY

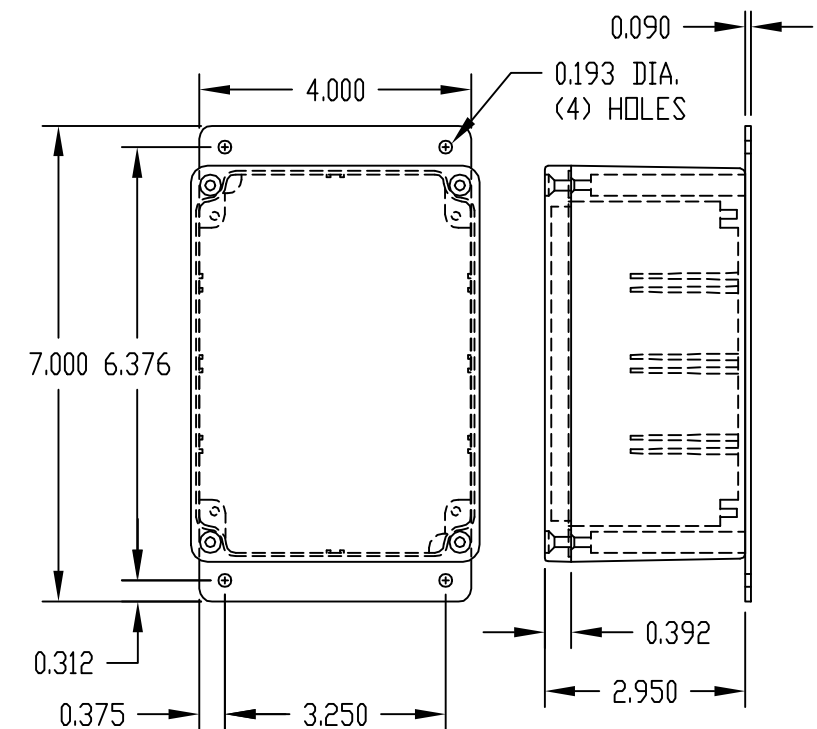


SECTION "A-A"



COVER

SEE DETAIL "E"
SECTION "D-D"



PART NO. AN-2805 & AN-2805-B
ARE SUPPLIED WITH A WELDED
ON MOUNTING BRACKET ONLY.