

PART NAME

NEMA 4 ENCLOSURE

PART No.

AN-1304, AN-1304-G, AN-2804 & AN-2804-B

REV. DATE

2-12-04

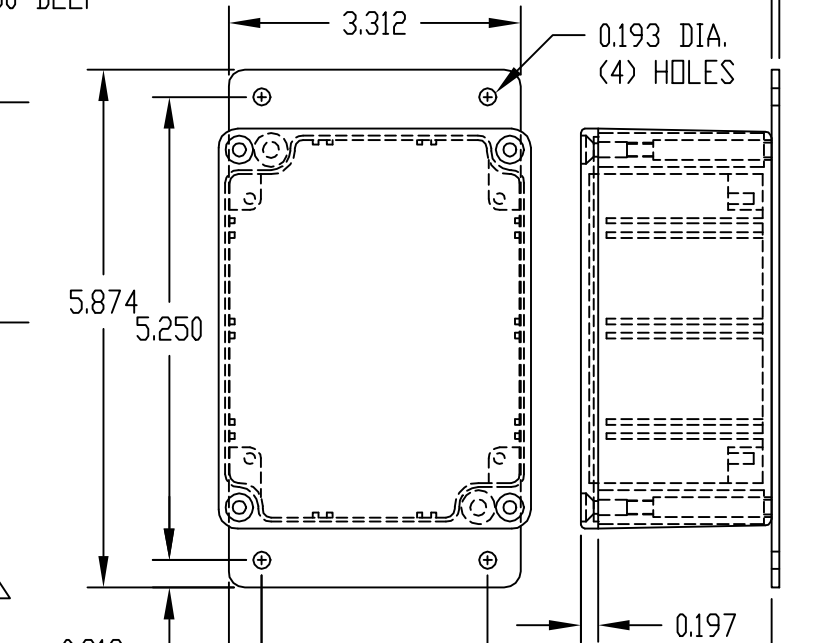
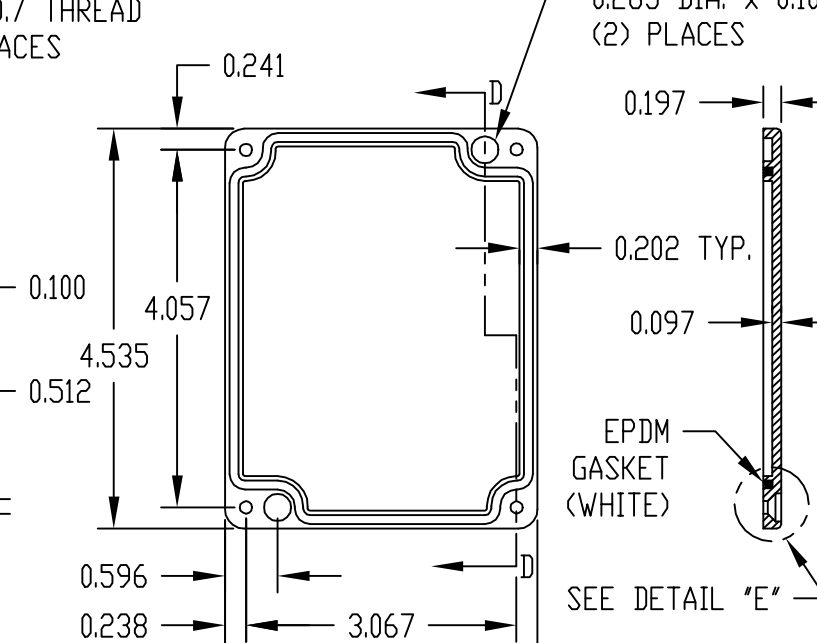
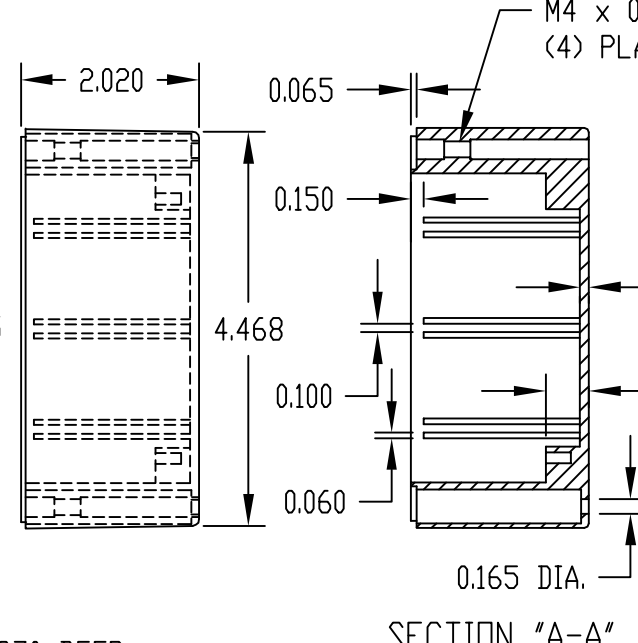
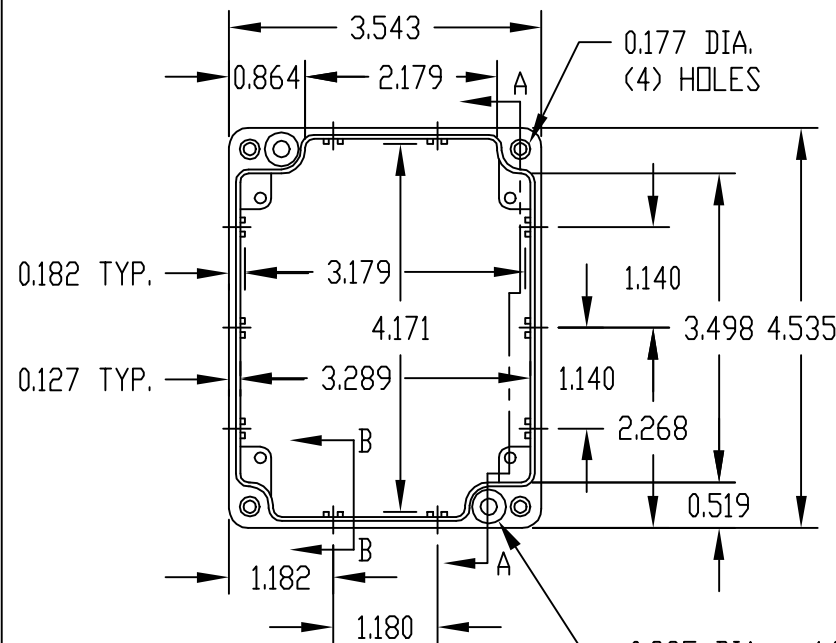
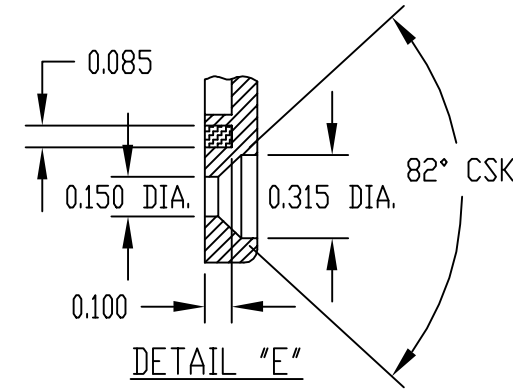
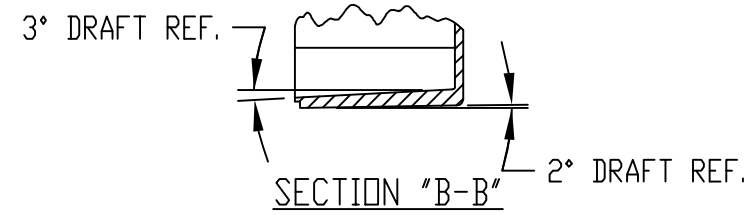
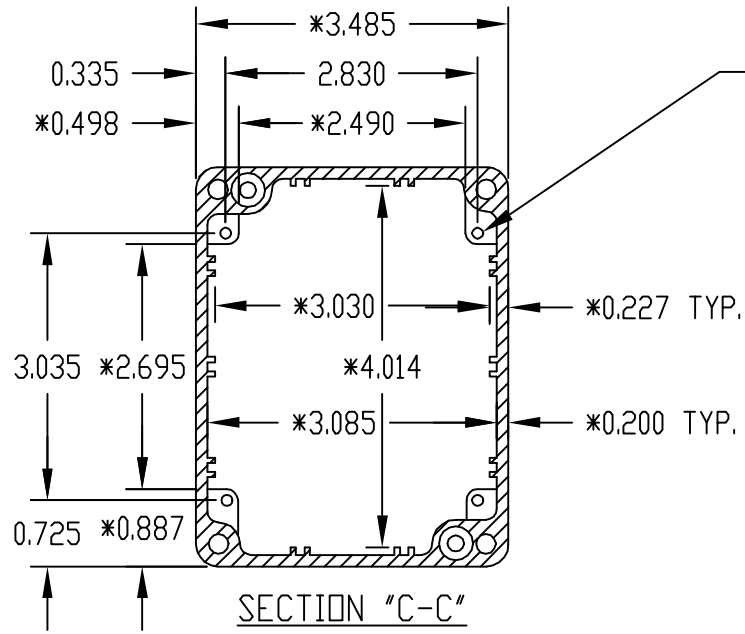
MATERIAL: ALUMINUM ALLOY #ADC-10

FINISH: NATURAL (NO SUFFIX)
GRAY (SUFFIX -G)
SMOOTH BLACK (SUFFIX -B)

FOUR (4) M4 x 20mm (0.787") LG. SCREWS SUPPLIED FOR ASSEMBLY.

TWO (2) M3.5 x 6mm LG. NICKEL PLATED SCREWS AND WASHERS SUPPLIED FOR GROUNDING

ALL DIMENSIONS HAVE ±0.015 TOLERANCE UNLESS OTHERWISE SPECIFIED



BODY

PART NO. AN-2804 & AN-2804-B ARE SUPPLIED WITH A WELDED ON MOUNTING BRACKET ONLY.