

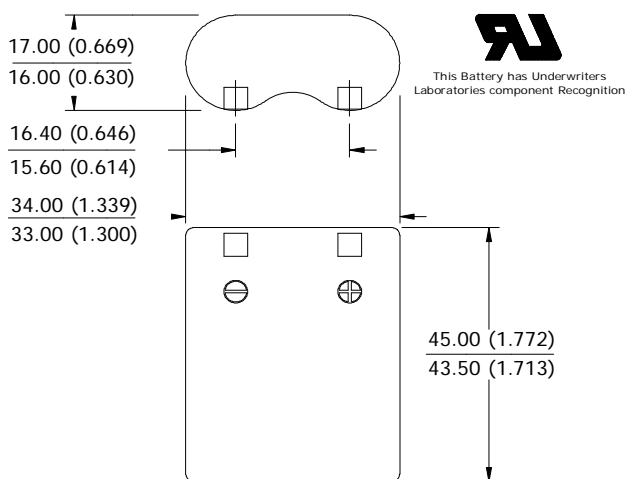
ENERGIZER 2CR5

(EL2CR5)



Industry Standard Dimensions

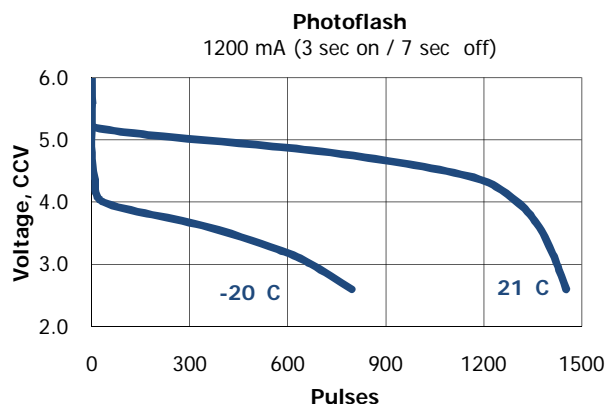
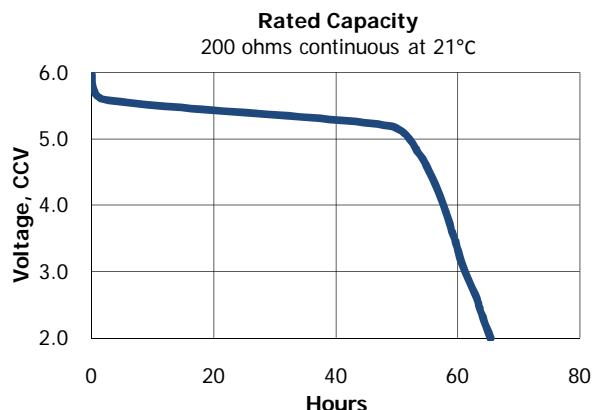
mm (inches)



This battery contains a Positive Temperature Coefficient (PTC) safety device to limit current during short circuit conditions.

- Classification:** "Lithium Photo"
Chemical System: Lithium / Manganese Dioxide (Li/MnO₂)
Designation: ANSI-5032LC, IEC-2CR5
Nominal Voltage: 6.0 Volts
Storage Temp: -40°C to 60°C (-40°F to 140°F)
Operating Temp: -40°C to 60°C (-40°F to 140°F)
Typical Capacity: 1500 mAh (to 2.0 volts)
 (Rated at 200 ohms at 21°C)
Typical Weight: 40 grams (1.4 oz.)
Typical Volume: 26 cubic centimeters (1.6 cubic inch)
Max Discharge: 1500 mA continuous (3500 mA pulse)
Max Rev Current: 2 uA
Typical Li Content: 1.15 grams (0.041 oz.)
UL Listed: MH12454
Shipping: For complete details, please reference:
 Global (except US): Special Provision A45 of the International Air Transport Association Dangerous Goods Regulations
 United States: 49 CFR 173.185

Typical Discharge Characteristics



Simulated Application Tests

Typical Use Performance

Type (time)	Drain (mA)	Load (ohms)	Cutoff Voltage		
			4.0V (21°C) (hours)	3.6V (21°C) (pulses)	3.1V (21°C) (pulses)
Capacity (continuous)	---	200	58	---	---
Photoflash (3 / 27 sec)	900	---	---	---	2000
Photoflash (3 / 7 sec)	1200	---	---	1370	---
Photoflash (3 / 7 sec)	1800	---	---	860	---

Important Notice

This datasheet contains typical information specific to products manufactured at the time of its publication.
 ©Energizer Holdings, Inc. - Contents herein do not constitute a warranty.