

ENERGIZER NO. CR2032

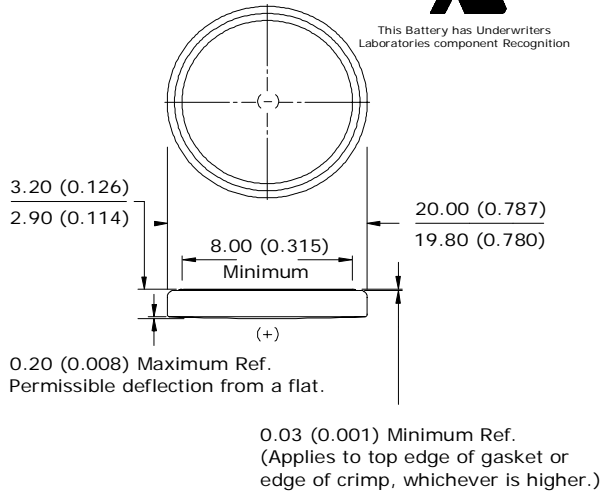


Industry Standard Dimensions

mm (inches)



This Battery has Underwriters Laboratories component Recognition



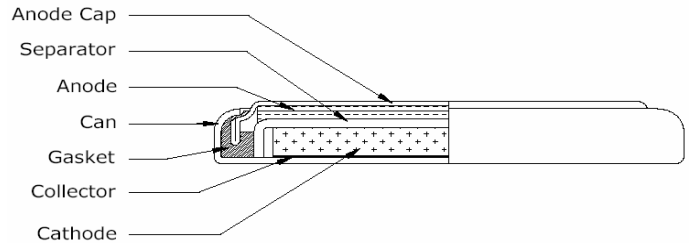
0.20 (0.008) Maximum Ref.
Permissible deflection from a flat.

0.03 (0.001) Minimum Ref.
(Applies to top edge of gasket or edge of crimp, whichever is higher.)

Specifications

- Classification:** "Lithium Coin"
- Chemical System:** Lithium / Manganese Dioxide (Li/MnO₂)
- Designation:** ANSI / NEDA-5003LC, IEC-CR2025
- Nominal Voltage:** 3.0 Volts
- Typical Capacity:** 225 mAh (to 2.0 volts)
(Rated at 10K ohms at 21°C)
- Typical Weight:** 3.3 grams (0.12 oz.)
- Typical Volume:** 1.0 cubic centimeters (0.06 cubic inch)
- Max Rev Charge:** 1 microampere
- Energy Density:** 198 milliwatt hr/g, 653 milliwatt hr/cc
- Typical Li Content:** 0.109 grams (0.0038 oz.)
- UL Listed:** MH12454
- Shipping:** For complete details, please reference:
Global (except US): Special Provision A45 of the International Air Transport Association Dangerous Goods Regulations
United States: 49 CFR 173.185

Cross Section



Simulated Application test

Typical Performance at 21°C (70°F)

Schedule:	Typical Drains: at 2.9V (mA)	Load (ohms)	Cutoff 2.0V (hours)
Continuous	0.29	10,000	776

Internal resistance Characteristics

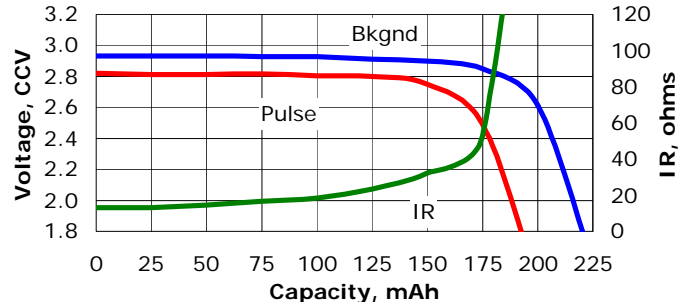
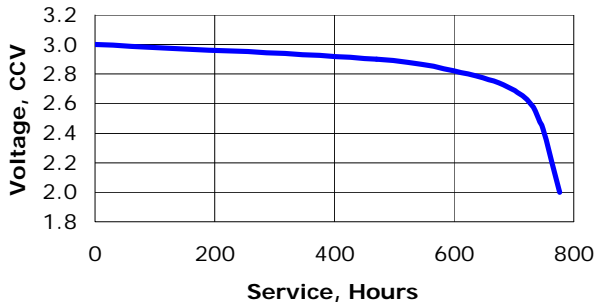
Pulse Test at 21°C (70°F)

Bkgnd Drain: Continuous
10K ohms
0.29 mA @ 2.9V

Pulse Drain: 2 seconds X 12 times/day
400 ohms
6.8 mA @ 2.7V

Typical Discharge Characteristics

Load: 10K ohms - Continuous
Typical Drain @ 2.9V: 0.29 mA



Important Notice

This data sheet contains typical information specific to batteries manufactured at the time of its publication.

Contents herein do not constitute a warranty.

©Eveready Battery Company, Inc. - All Rights Reserved