


Current Batteries

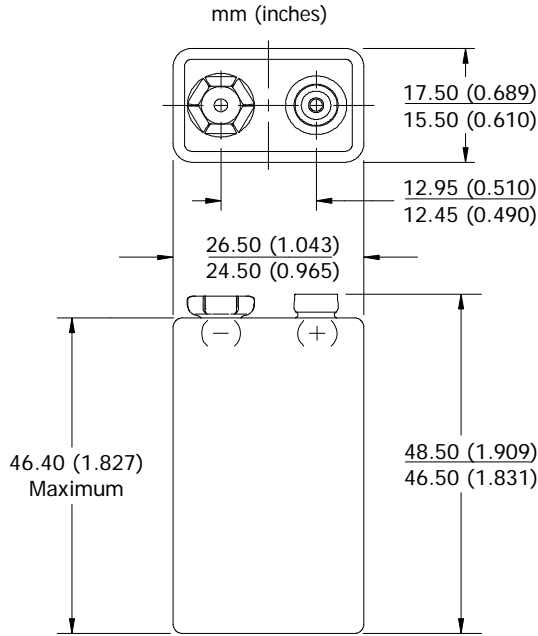
Datasheet	Picture	Size	Voltage (nom.)	ANSI	IEC	Diam. (mm)	Weight (g)	Height (mm)	Length (mm)	Width (mm)
EN22		9V	9	1604A	6LR61	N/A	45.6	48.5	N/A	17.5

ENERGIZER EN22

9V



Industry Standard Dimensions



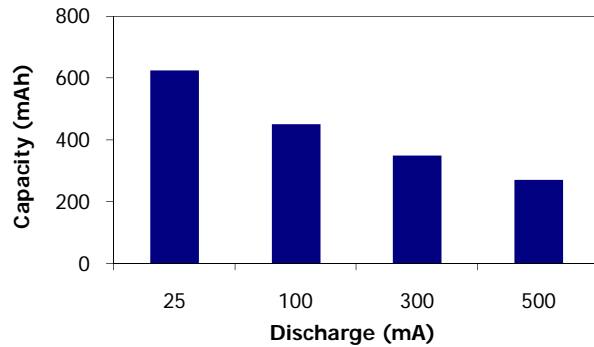
Specifications

NOT INTENDED FOR RETAIL TRADE

Classification:	Alkaline
Chemical System:	Zinc-Manganese Dioxide (Zn/MnO ₂) No added mercury or cadmium
Designation:	ANSI-1604A, IEC-6LR61
Nominal Voltage:	9.0 volts
Operating Temp:	-18°C to 55°C (0°F to 130°F)
Typical Weight:	45.6 grams (1.6 oz.)
Typical Volume:	21.1 cubic centimeters (1.3 cubic inch)
Jacket:	Metal
Shelf Life:	5 years at 21°C (80% of initial capacity)
Terminal:	Miniature Snap

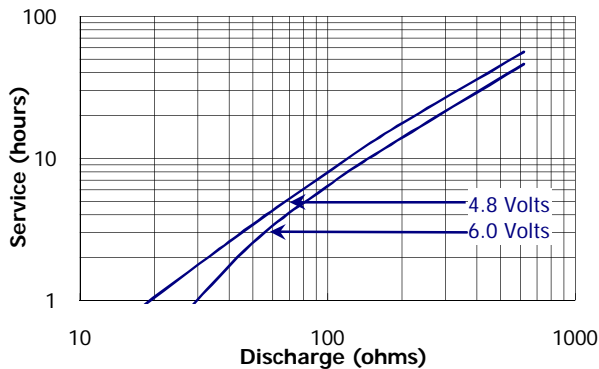
Milliamp-Hours Capacity

Continuous discharge to 4.8 volts at 21°C



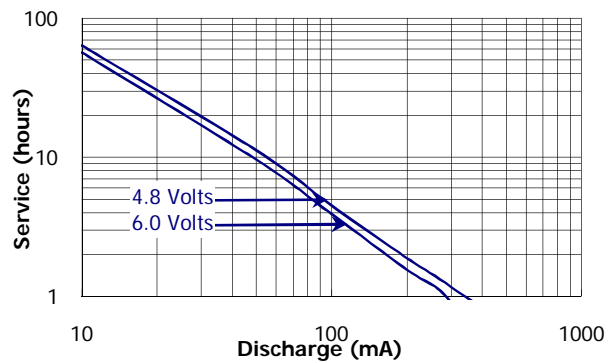
Constant Resistance Performance

Typical Characteristics (21°C)



Constant Current Performance

Typical Characteristics (21°C)



Important Notice

This datasheet contains typical information specific to products manufactured at the time of its publication.
©Energizer Holdings, Inc. - Contents herein do not constitute a warranty.