


## Current Batteries

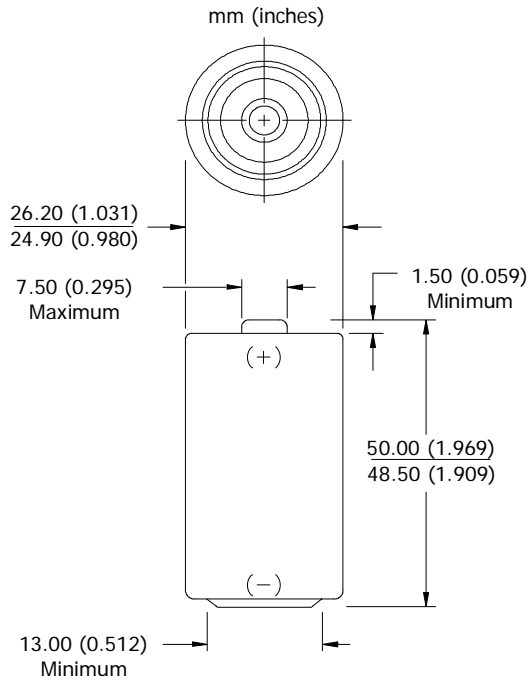
Datasheet	Picture	Size	Voltage (nom.)	ANSI	IEC	Diam. (mm)	Weight (g)	Height (mm)	Length (mm)	Width (mm)
<a href="#">EN93</a>		C	1.5	14A	LR14	26.2	66.2	50	N/A	N/A

# ENERGIZER EN93

C



## Industry Standard Dimensions



## Specifications

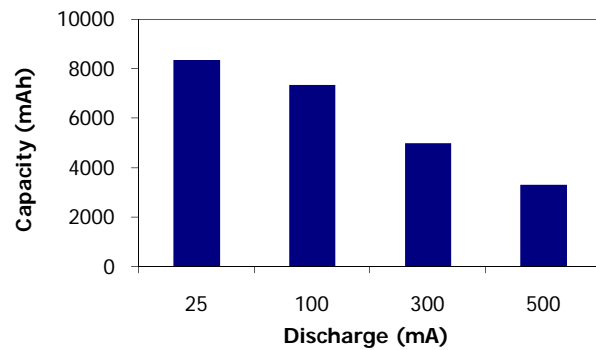
**NOT INTENDED FOR RETAIL TRADE**

<b>Classification:</b>	Alkaline
<b>Chemical System:</b>	Zinc-Manganese Dioxide (Zn/MnO <sub>2</sub> ) No added mercury or cadmium
<b>Designation:</b>	ANSI-14A, IEC-LR14
<b>Nominal Voltage:</b>	1.5 volts
<b>Nominal IR:</b>	150 to 300 milliohms (fresh)*
<b>Operating Temp:</b>	-18°C to 55°C (0°F to 130°F)
<b>Typical Weight:</b>	66.2 grams (2.3 oz.)
<b>Typical Volume:</b>	26.9 cubic centimeters (1.6 cubic inch)
<b>Jacket:</b>	Plastic Label
<b>Shelf Life:</b>	7 years at 21°C (80% of initial capacity)
<b>Terminal:</b>	Flat Contact

\* For additional information, please reference the [IR technical white paper](#).

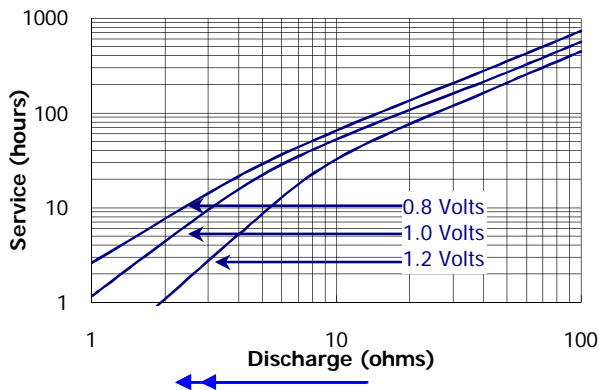
## Milliamp-Hours Capacity

Continuous discharge to 0.8 volts at 21°C



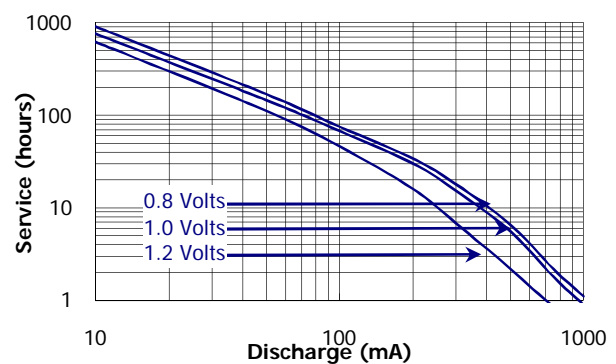
## Constant Resistance Performance

Typical Characteristics (21°C)



## Constant Current Performance

Typical Characteristics (21°C)



### Important Notice

This data sheet contains typical information specific to products manufactured at the time of its publication.  
©Energizer Holdings, Inc. - Contents herein do not constitute a warranty.