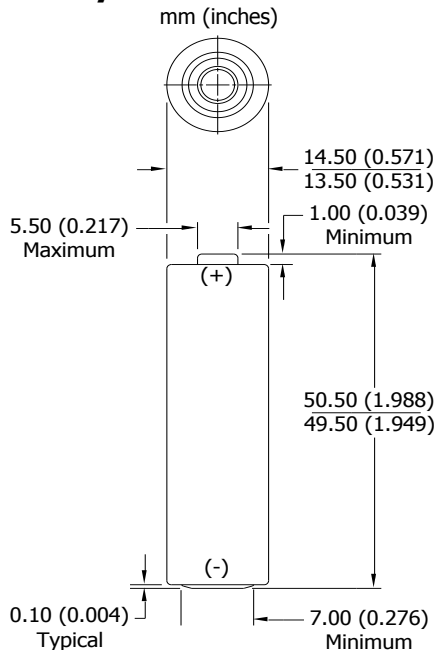


**ENERGIZER EA91**  
Advanced Lithium



**AA**

**Industry Standard Dimensions**



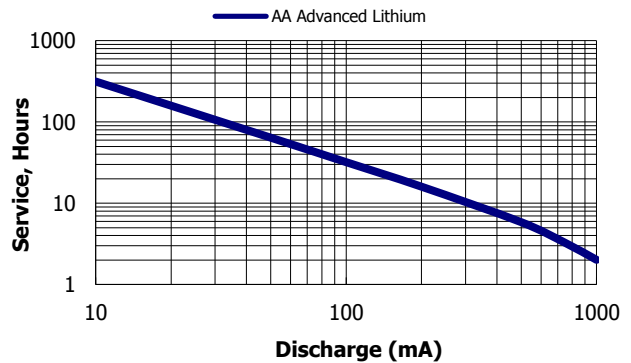
This battery has Underwriters Laboratories component recognition (MH29980)

**Specifications**

<b>Classification:</b>	"Cylindrical Lithium"
<b>Chemical System:</b>	Lithium/Iron Disulfide (Li/FeS <sub>2</sub> )
<b>Designation:</b>	ANSI 15-LF, IEC-FR6
<b>Nominal Voltage:</b>	1.5 Volts
<b>Storage Temp:</b>	-40°C to 60°C (-40°F to 140°F)
<b>Operating Temp:</b>	-40°C to 60°C (-40°F to 140°F)
<b>Typical Weight:</b>	14.5 grams (0.5 oz.)
<b>Typical Volume:</b>	8.0 cubic centimeters (0.5 cubic inch)
<b>Max Discharge:</b>	1.5 Amps Continuous
(single battery only)	2.0 Amps Pulse (2 sec on / 8 sec off)
<b>Max Rev Current:</b>	2 uA
<b>Typical Li Content:</b>	Less than 1 gram
<b>Typical IR:</b>	120 to 300 milliohms (depending on method)
<b>Shelf Life:</b>	10 years at 21°C

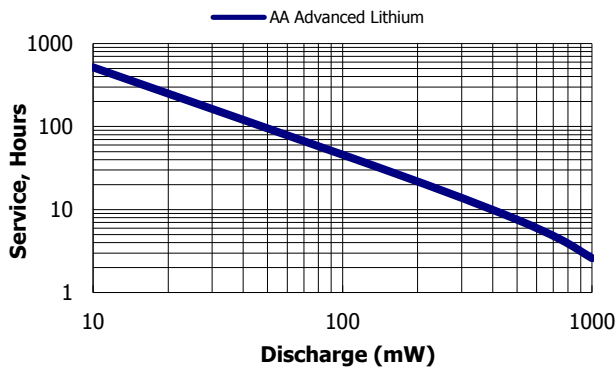
**Constant Current Performance**

Typical Characteristics to 1.0 Volts at 21°C



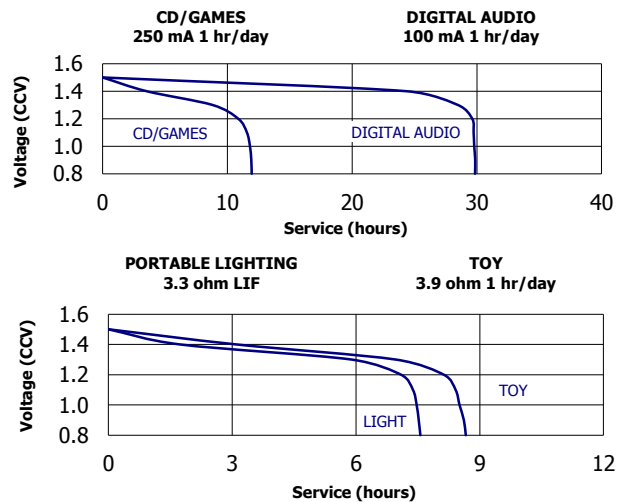
**Constant Power Performance**

Typical Characteristics to 1.0 Volts at 21°C



**Application Tests**

Typical Characteristics at 21°C



**Important Notice**

This datasheet contains typical information specific to products manufactured at the time of its publication.  
©Energizer Holdings, Inc. - Contents herein do not constitute a warranty.