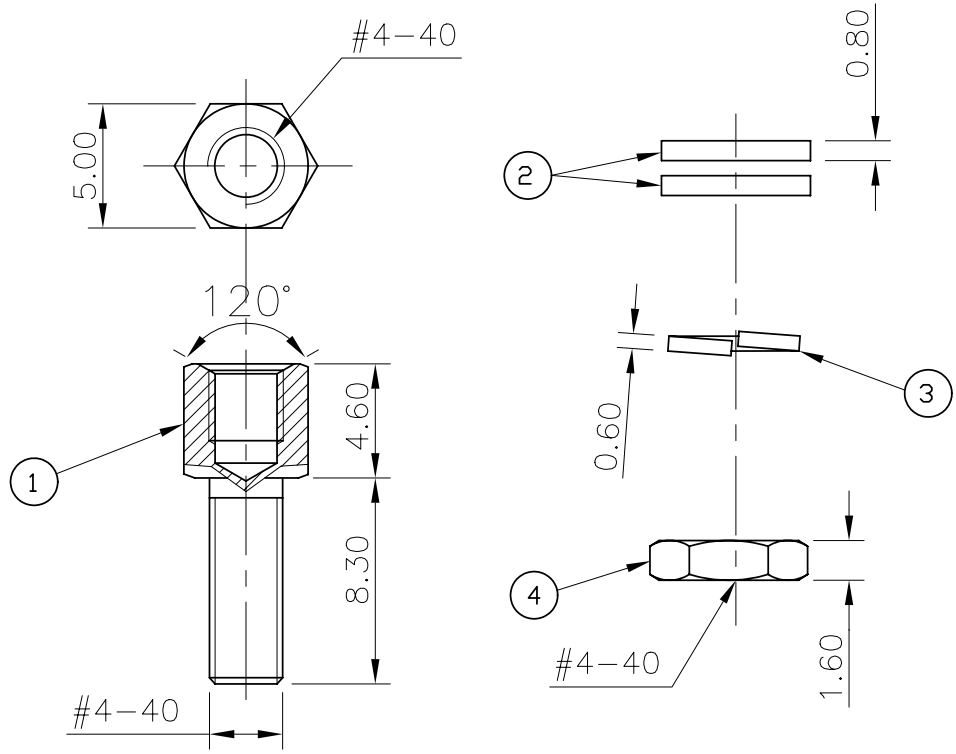


This document is the property of Amphenol Corporation and is delivered on the express condition that it is not to be disclosed, reproduced or used, in whole or in part, for manufacture or sale by anyone other than Amphenol Corporation without its prior consent, & that no right is granted to disclose or to use any information in this document.



- ① SCREW
- ② WASHERS
- ③ LOCK WASHER
- ④ NUT



Customer drawing

REVISIONS				
SYM	ECN	DESCRIPTION	DATE	APPROVED
1			04/25/08	

D-SUB TECHNICAL DATA

MATERIAL:

Screwlock: Steel,100u" min tin over 50u" min nickel.
 Washer: Steel,100u" min tin over 50u" min nickel.
 Lock washer: XC 35
 Nut: Brass,100u" min tin over 50u" min nickel.

PACKAGE:

Delivered separately
 1 P/N = 10 sets

MARKING:

Amphenol...(Series No.) Commercial reference
 Manufacturing date

UNLESS OTHERWISE SPECIFIED		APPROVAL		DATE	Amphenol®
TOLERANCES		DRAWN	Christina.cui	04/25/08	
	U.S.	METRIC	CHECKED	Hk.wang	04/25/08
.X	+/-	0.50			TITLE Accessory, screwlock with nut and washers
.XX	+/-	0.30			
.XXX	+/-	0.20			SIZE DRAWING NO. REV. A4 C L17D2041B2TX 1
FRACTIONS	+/-				
ANGLES	+/-	2'			SCALE NONE SHEET 1 OF 1
FOR MATERIALS AND FINISHES SEE NOTES		DRAWING FILE :			
REMOVE SHARP EDGES		ANGLE OF PROJECTION			
DIMENSIONS					
U.S.	INCHES				
METRIC	MM				