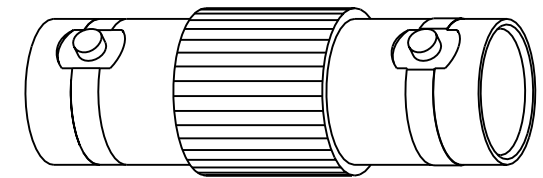


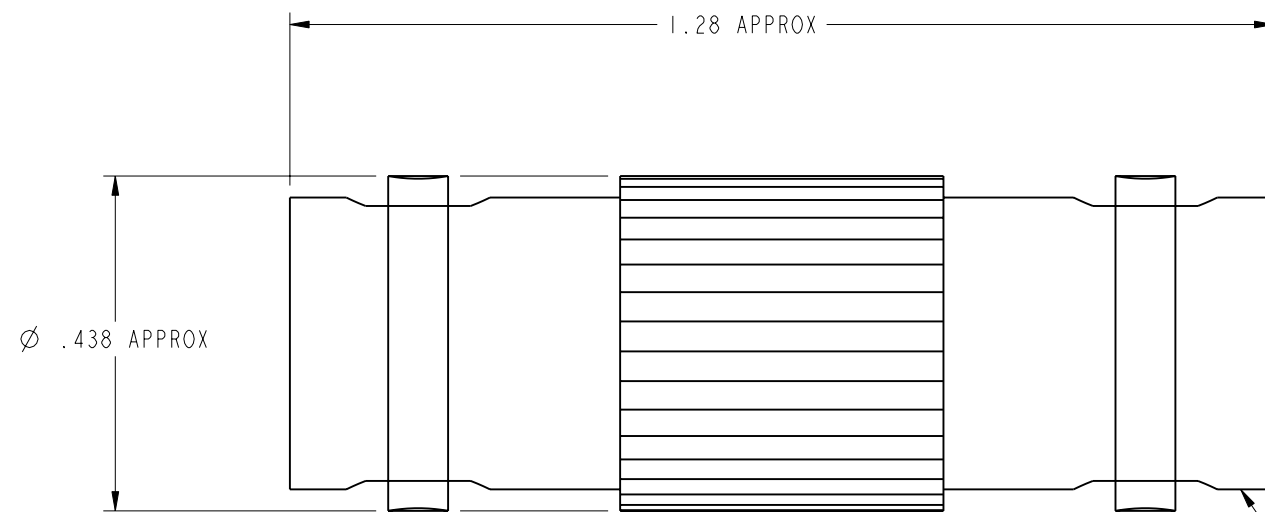
NOTES:

- 1. MATERIALS OF CONSTRUCTION:
 BODY & WASHER = BRASS, NICKEL PLATED (.000100 MIN THICK)
 CONTACT PIN = BeCu, SILVER PLATED (.000200 MIN THICK)
 INSULATOR = TEFLON PER MIL-P-19468

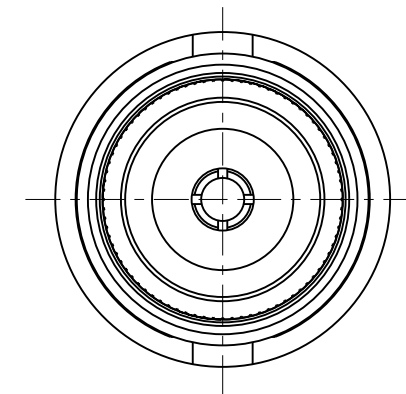
31-219-RFX		REVISIONS			
DRAWING NO.	REV	DESCRIPTION	DATE	ECO	APPR
THIRD ANGLE PROJ.	--	RELEASE TO MFG.			
	E	SEE SHEET 1	12/19/01	43924	CPM



SCALE 2.000



MARKED "AMPHENOL"
(SHOWN FOR REF ONLY)



CUSTOMER OUTLINE DRAWING

ALL OTHER SHEETS ARE FOR INTERNAL USE ONLY

UNLESS OTHERWISE SPECIFIED, DIMENSIONS ARE IN INCHES AND TOLERANCES ARE: 2 PLACE DECIMAL ±.015 (0,381 mm) 3 PLACE DECIMAL ±.005 (0,127 mm) ANGLES ± 1°	MATERIAL	DRAWN C. McGRATH	DATE 12/17/01	TITLE 'BNC' FEMALE TO FEMALE ADAPTOR UG-914/U	Amphenol Amphenol Corporation Communication and Network Products Division Danbury, CT U.S.A. 06810	
	REFERENCE	ENGINEER O. BARTHELMES	DATE 12/17/01			
NOTICE - These drawings, specifications, or other data (1) are, and remain the property of Amphenol Corp. (2) must be returned upon request; and (3) are confidential and not to be disclosed to any person other than those to whom they are given by Amphenol Corp. The furnishing of these drawings, specifications, or other data by Amphenol Corp., or to any other person to anyone for any purpose is not to be regarded by implication or otherwise in any manner licensing, granting rights or permitting such holder or any other person to manufacture, use or sell any product, process or design, patented or otherwise, that may in any way be related to or disclosed by said drawings, specifications, or other data.	GEN# ASSY1_BNC	APPROVED O. BARTHELMES	DATE 12/19/01	SCALE: 4.0:1	SHEET 2 OF 2	
		CAD FILE I:\BNC\31-219-RFX	CODE ID 74868	DWG SIZE B	DRAWING NO. 31-219-RFX	REV E