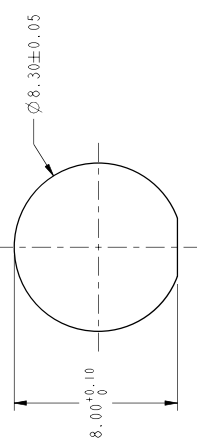
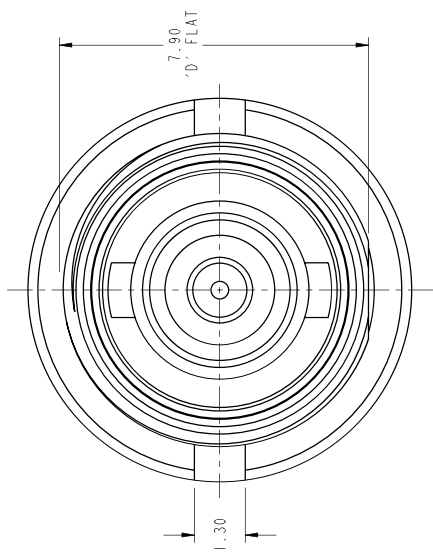
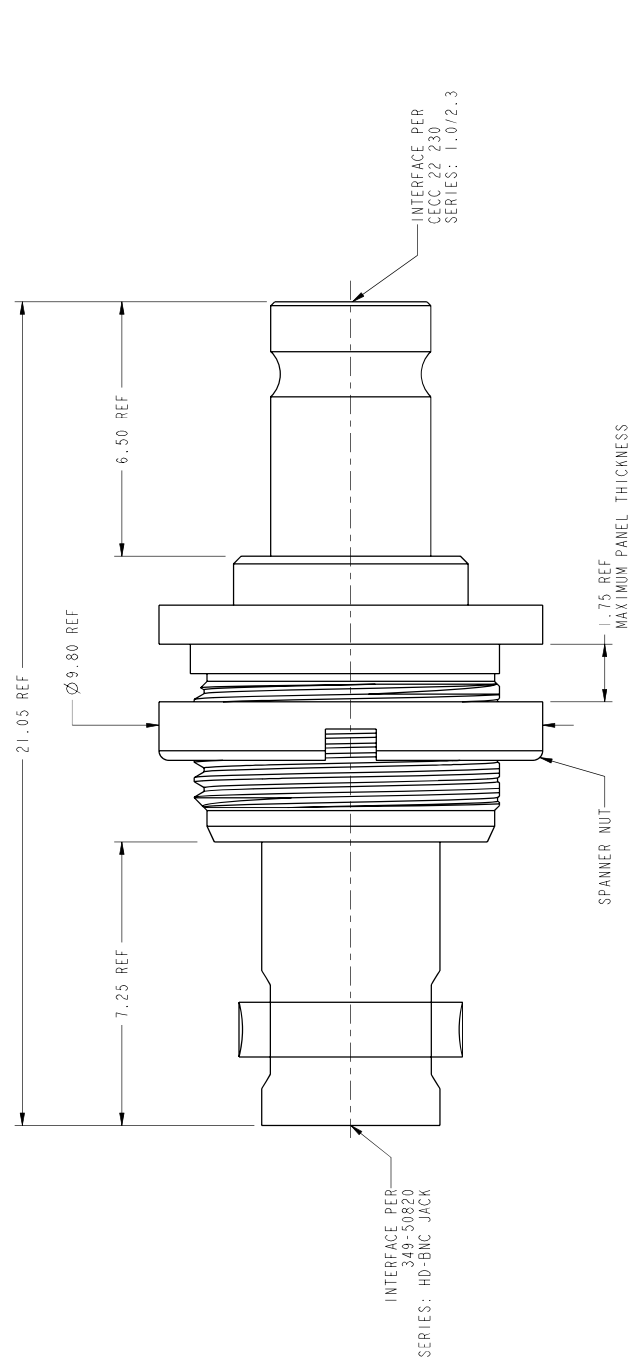
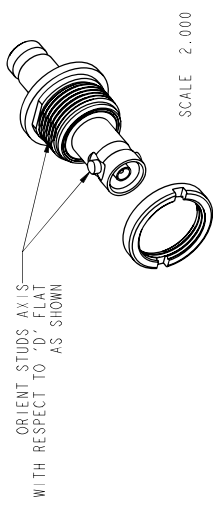


THIRD ANGLE PROJ.		REVOLUTIONS	
REV	DESCRIPTION	DATE	ECO APPR
A	RELEASE TO MFG.	30-Mar-11	48505 CL
B	'D' FLAT WAS 7.80	25-Jul-11	48638 SCOTT



- NOTES:
- MATERIALS AND FINISHES:
BODIES - BRASS, NICKEL PLATING
CONTACT - BFCU, GOLD PLATING
SLEEVE - DELRIN
INSULATOR - PIPE
 - ELECTRICAL:
A. IMPEDANCE: 75 OHM
B. FREQUENCY RANGE: DC - 3 GHz
C. RETURN LOSS: -25 dB MIN @ 3 GHz
 - MECHANICAL:
A. DURABILITY: 500 CYCLES MIN.
B. TEMPERATURE RANGE: +65° C TO -165° C
 - PACKAGING:
A. QUANTITY: SINGLE PACK
B. MARKING: BAG TO BE MARKED
"AMPHENOLRF,APH-HD-ISO-1023 AND DATE CODE"

**SCALE 4.200
RECOMMENDED MOUNTING
HOLE DIMENSIONS**



CUSTOMER OUTLINE DRAWING
ALL OTHER SHEETS ARE FOR INTERNAL USE ONLY

MATERIAL		DRAWN	DATE	TITLE	
SEE NOTES		I. XU	19-Jul-11	ISOLATED ADAPTER	
REFERENCE		ENGINEER	DATE	HD BNC STR JACK	
CONFIGURATION LEVEL: □□□□		A. ARUN PRABU	14-Jan-11	TO 1.0/2.3 JACK	
FINISH		APPROVED	DATE	SCALE: 8.0:1.0 SHEET 2 OF 2	
		S. HSIEH	25-Jul-11	DWG SIZE	
		CAD FILE		REV	
				B	
				PART NO. APH-HD-ISO-1023	
				DRAWING NO. APH-HD-ISO-1023	
				ITEM NO. APH-HD-ISO-1023	
				PART NO. APH-HD-ISO-1023	
				DRAWING NO. APH-HD-ISO-1023	
				ITEM NO. APH-HD-ISO-1023	
				PART NO. APH-HD-ISO-1023	
				DRAWING NO. APH-HD-ISO-1023	
				ITEM NO. APH-HD-ISO-1023	
				PART NO. APH-HD-ISO-1023	
				DRAWING NO. APH-HD-ISO-1023	
				ITEM NO. APH-HD-ISO-1023	
				PART NO. APH-HD-ISO-1023	
				DRAWING NO. APH-HD-ISO-1023	
				ITEM NO. APH-HD-ISO-1023	
				PART NO. APH-HD-ISO-1023	
				DRAWING NO. APH-HD-ISO-1023	
				ITEM NO. APH-HD-ISO-1023	
				PART NO. APH-HD-ISO-1023	
				DRAWING NO. APH-HD-ISO-1023	
				ITEM NO. APH-HD-ISO-1023	
				PART NO. APH-HD-ISO-1023	
				DRAWING NO. APH-HD-ISO-1023	
				ITEM NO. APH-HD-ISO-1023	
				PART NO. APH-HD-ISO-1023	
				DRAWING NO. APH-HD-ISO-1023	
				ITEM NO. APH-HD-ISO-1023	
				PART NO. APH-HD-ISO-1023	
				DRAWING NO. APH-HD-ISO-1023	
				ITEM NO. APH-HD-ISO-1023	
				PART NO. APH-HD-ISO-1023	
				DRAWING NO. APH-HD-ISO-1023	
				ITEM NO. APH-HD-ISO-1023	
				PART NO. APH-HD-ISO-1023	
				DRAWING NO. APH-HD-ISO-1023	
				ITEM NO. APH-HD-ISO-1023	
				PART NO. APH-HD-ISO-1023	
				DRAWING NO. APH-HD-ISO-1023	
				ITEM NO. APH-HD-ISO-1023	
				PART NO. APH-HD-ISO-1023	
				DRAWING NO. APH-HD-ISO-1023	
				ITEM NO. APH-HD-ISO-1023	
				PART NO. APH-HD-ISO-1023	
				DRAWING NO. APH-HD-ISO-1023	
				ITEM NO. APH-HD-ISO-1023	
				PART NO. APH-HD-ISO-1023	
				DRAWING NO. APH-HD-ISO-1023	
				ITEM NO. APH-HD-ISO-1023	
				PART NO. APH-HD-ISO-1023	
				DRAWING NO. APH-HD-ISO-1023	
				ITEM NO. APH-HD-ISO-1023	
				PART NO. APH-HD-ISO-1023	
				DRAWING NO. APH-HD-ISO-1023	
				ITEM NO. APH-HD-ISO-1023	
				PART NO. APH-HD-ISO-1023	
				DRAWING NO. APH-HD-ISO-1023	
				ITEM NO. APH-HD-ISO-1023	
				PART NO. APH-HD-ISO-1023	
				DRAWING NO. APH-HD-ISO-1023	
				ITEM NO. APH-HD-ISO-1023	
				PART NO. APH-HD-ISO-1023	
				DRAWING NO. APH-HD-ISO-1023	
				ITEM NO. APH-HD-ISO-1023	
				PART NO. APH-HD-ISO-1023	
				DRAWING NO. APH-HD-ISO-1023	
				ITEM NO. APH-HD-ISO-1023	
				PART NO. APH-HD-ISO-1023	
				DRAWING NO. APH-HD-ISO-1023	
				ITEM NO. APH-HD-ISO-1023	
				PART NO. APH-HD-ISO-1023	
				DRAWING NO. APH-HD-ISO-1023	
				ITEM NO. APH-HD-ISO-1023	
				PART NO. APH-HD-ISO-1023	
				DRAWING NO. APH-HD-ISO-1023	
				ITEM NO. APH-HD-ISO-1023	
				PART NO. APH-HD-ISO-1023	
				DRAWING NO. APH-HD-ISO-1023	
				ITEM NO. APH-HD-ISO-1023	
				PART NO. APH-HD-ISO-1023	
				DRAWING NO. APH-HD-ISO-1023	
				ITEM NO. APH-HD-ISO-1023	
				PART NO. APH-HD-ISO-1023	
				DRAWING NO. APH-HD-ISO-1023	
				ITEM NO. APH-HD-ISO-1023	
				PART NO. APH-HD-ISO-1023	
				DRAWING NO. APH-HD-ISO-1023	
				ITEM NO. APH-HD-ISO-1023	
				PART NO. APH-HD-ISO-1023	
				DRAWING NO. APH-HD-ISO-1023	
				ITEM NO. APH-HD-ISO-1023	
				PART NO. APH-HD-ISO-1023	
				DRAWING NO. APH-HD-ISO-1023	
				ITEM NO. APH-HD-ISO-1023	
				PART NO. APH-HD-ISO-1023	
				DRAWING NO. APH-HD-ISO-1023	
				ITEM NO. APH-HD-ISO-1023	
				PART NO. APH-HD-ISO-1023	
				DRAWING NO. APH-HD-ISO-1023	
				ITEM NO. APH-HD-ISO-1023	
				PART NO. APH-HD-ISO-1023	
				DRAWING NO. APH-HD-ISO-1023	
				ITEM NO. APH-HD-ISO-1023	
				PART NO. APH-HD-ISO-1023	
				DRAWING NO. APH-HD-ISO-1023	
				ITEM NO. APH-HD-ISO-1023	
				PART NO. APH-HD-ISO-1023	
				DRAWING NO. APH-HD-ISO-1023	
				ITEM NO. APH-HD-ISO-1023	
				PART NO. APH-HD-ISO-1023	
				DRAWING NO. APH-HD-ISO-1023	
				ITEM NO. APH-HD-ISO-1023	
				PART NO. APH-HD-ISO-1023	
				DRAWING NO. APH-HD-ISO-1023	
				ITEM NO. APH-HD-ISO-1023	
				PART NO. APH-HD-ISO-1023	
				DRAWING NO. APH-HD-ISO-1023	
				ITEM NO. APH-HD-ISO-1023	
				PART NO. APH-HD-ISO-1023	
				DRAWING NO. APH-HD-ISO-1023	
				ITEM NO. APH-HD-ISO-1023	
				PART NO. APH-HD-ISO-1023	
				DRAWING NO. APH-HD-ISO-1023	
				ITEM NO. APH-HD-ISO-1023	
				PART NO. APH-HD-ISO-1023	
				DRAWING NO. APH-HD-ISO-1023	
				ITEM NO. APH-HD-ISO-1023	
				PART NO. APH-HD-ISO-1023	
				DRAWING NO. APH-HD-ISO-1023	
				ITEM NO. APH-HD-ISO-1023	
				PART NO. APH-HD-ISO-1023	
				DRAWING NO. APH-HD-ISO-1023	
				ITEM NO. APH-HD-ISO-1023	
				PART NO. APH-HD-ISO-1023	
				DRAWING NO. APH-HD-ISO-1023	
				ITEM NO. APH-HD-ISO-1023	
				PART NO. APH-HD-ISO-1023	
				DRAWING NO. APH-HD-ISO-1023	
				ITEM NO. APH-HD-ISO-1023	
				PART NO. APH-HD-ISO-1023	
				DRAWING NO. APH-HD-ISO-1023	
				ITEM NO. APH-HD-ISO-1023	
				PART NO. APH-HD-ISO-1023	
				DRAWING NO. APH-HD-ISO-1023	
				ITEM NO. APH-HD-ISO-1023	
				PART NO. APH-HD-ISO-1023	
				DRAWING NO. APH-HD-ISO-1023	
				ITEM NO. APH-HD-ISO-1023	
				PART NO. APH-HD-ISO-1023	
				DRAWING NO. APH-HD-ISO-1023	
				ITEM NO. APH-HD-ISO-1023	
				PART NO. APH-HD-ISO-1023	
				DRAWING NO. APH-HD-ISO-1023	
				ITEM NO. APH-HD-ISO-1023	
				PART NO. APH-HD-ISO-1023	
				DRAWING NO. APH-HD-ISO-1023	
				ITEM NO. APH-HD-ISO-1023	
				PART NO. APH-HD-ISO-1023	
				DRAWING NO. APH-HD-ISO-1023	
				ITEM NO. APH-HD-ISO-1023	
				PART NO. APH-HD-ISO-1023	
				DRAWING NO. APH-HD-ISO-1023	
				ITEM NO. APH-HD-ISO-1023	
				PART NO. APH-HD-ISO-1023	
				DRAWING NO. APH-HD-ISO-1023	
				ITEM NO. APH-HD-ISO-1023	
				PART NO. APH-HD-ISO-1023	
				DRAWING NO. APH-HD-ISO-1023	
				ITEM NO. APH-HD-ISO-1023	
				PART NO. APH-HD-ISO-1023	
				DRAWING NO. APH-HD-ISO-1023	
				ITEM NO. APH-HD-ISO-1023	
				PART NO. APH-HD-ISO-1023	
				DRAWING NO. APH-HD-ISO-1023	
				ITEM NO. APH-HD-ISO-1023	
				PART NO. APH-HD-ISO-1023	
				DRAWING NO. APH-HD-ISO-1023	
				ITEM NO. APH-HD-ISO-1023	
				PART NO. APH-HD-ISO-1023	
				DRAWING NO. APH-HD-ISO-1023	
				ITEM NO. APH-HD-ISO-1023	
				PART NO. APH-HD-ISO-1023	
				DRAWING NO. APH-HD-ISO-1023	
				ITEM NO. APH-HD-ISO-1023	
				PART NO. APH-HD-ISO-1023	
				DRAWING NO. APH-HD-ISO-1023	
				ITEM NO. APH-HD-ISO-1023	
				PART NO. APH-HD-ISO-1023	
				DRAWING NO. APH-HD-ISO-1023	
				ITEM NO. APH-HD-ISO-1023	
				PART NO. APH-HD-ISO-1023	