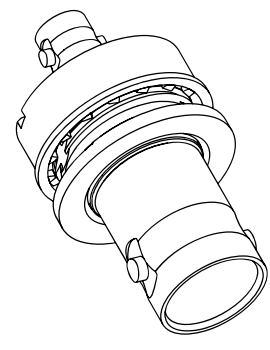
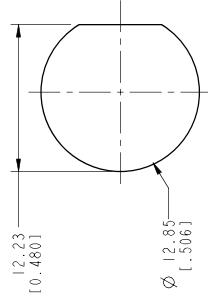
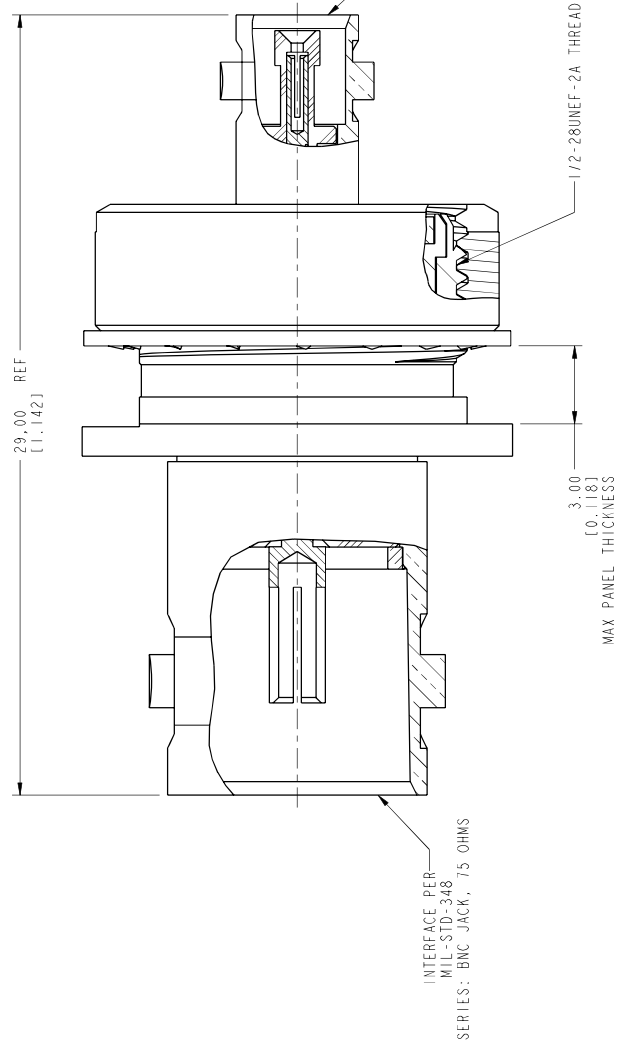


THIRD ANGLE PROJ.		REVISIONS		
REV	DESCRIPTION	DATE	ECO	APPR
A	RELEASE TO MFG	4/1/11	48505	CL
B	ADDED FLANGE, CHANGED LOCKWASHER AND NUT, PCB DIM. WAS 12.40	15-Jun-11	48638	MJS

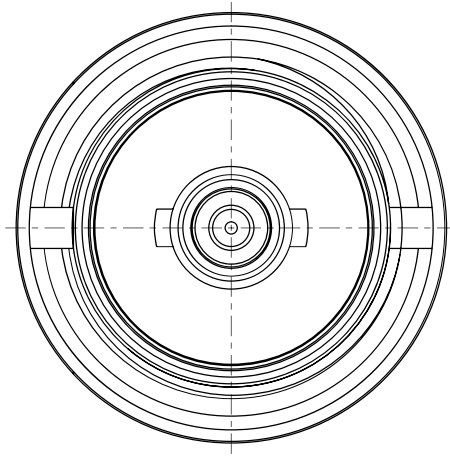


**SCALE 2.500
RECOMMENDED PCB
DIMENSIONS**

- NOTES:
- MATERIALS AND FINISHES:
BODY - BRASS, NICKEL PLATING
CONTACT - BERYLLIUM COPPER, GOLD PLATING
INSULATOR - PIPE
 - ELECTRICAL:
A. IMPEDANCE: 75 OHM
B. FREQUENCY RANGE: DC - 3 GHz
C. RETURN LOSS: -30 dB MIN @ 3 GHz
 - MECHANICAL:
A. DURABILITY: 500 CYCLES MIN.
B. TEMPERATURE RANGE: -65° C TO +165° C
 - PACKAGING:
A. QUANTITY: SINGLE PACK
B. MARKING: BAG TO BE MARKED
"AMPHENOLRF, APH-HD-ISO-BNC AND DATE CODE"



SCALE: 2.500



CUSTOMER OUTLINE DRAWING
ALL OTHER SHEETS ARE FOR INTERNAL USE ONLY

MATERIAL		DATE	TITLE	
SEE NOTES		15-Jun-11	ISOLATED ADAPTER	
REFERENCE EAR # 4295 AND EXP: 615X-2714-100		27-Sep-10	75 OHM, BNC BHD JACK	
CONFIGURATION LEVEL: In work		21-Jun-11	TO HD BNC JACK	
FINISH		DWG SIZE		REV
		B		B
UNLESS OTHERWISE SPECIFIED, DIMENSIONS ARE IN METRIC AND TOLERANCES ARE: $\pm 0.5mm$ 0.5 - 6mm $\pm 0.1mm$ 6 - 30mm $\pm 0.2mm$ 30 - 120mm $\pm 0.3mm$ ANGLES $\pm 0.1^\circ$		DRAWN R. WAO		Amphenol RF
NOTICE: These drawings, specifications, or other data (1) are, and remain the property of Amphenol Corp., (2) must be returned upon request, and (3) are confidential and not to be disclosed to any person other than those to whom they are intended, and (4) may be used for manufacturing purposes only. All other data by Amphenol Corp., or to any other person to engage for any purpose is not to be regarded by implication or otherwise in any manner, licensing, granting rights to permitting such holder or any other person to manufacture, use or sell any product, process or design, patented or otherwise, that may in any way be related to or disclosed by said drawings, specifications, or other data.		ENGINEER PADMANABHAN E		www.amphenolrf.com
		APPROVED S. HSIEH		DRAWING NO. APH-HD-ISO-BNC
		CAD FILE		ITEM NO. APH-HD-ISO-BNC
				PART NO. APH-HD-ISO-BNC