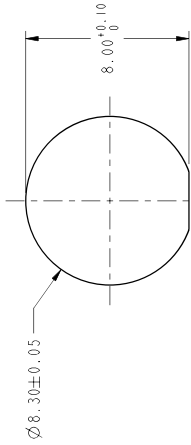


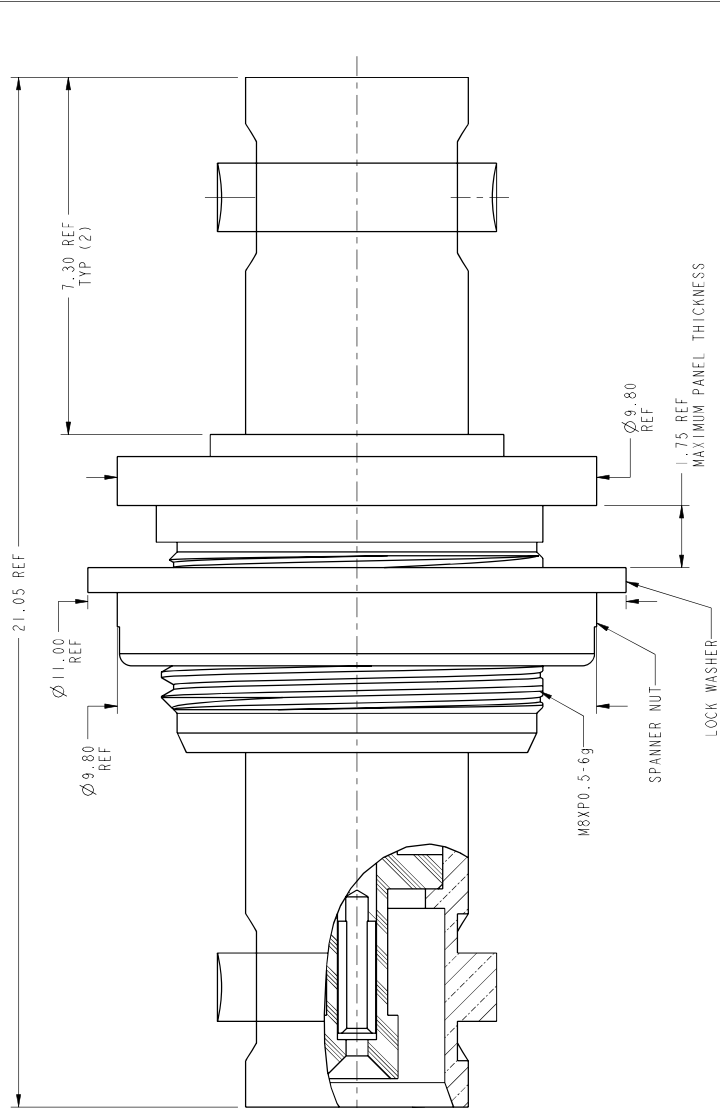
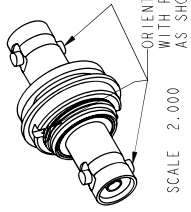
REV	DESCRIPTION	DATE	ECO	APPR
A	RELEASE TO MFG	30-Mar-11	48505	CL
B	"D" FLAT 7.90 WAS 7.80	22-Jul-11	48638	SCOTT
C	ADDED LOCK WASHER	27-Sep-11	48749	SCOTT

THIRD ANGLE PROJ.	REVISIONS



**SCALE 4:200  
RECOMMENDED  
MOUNTING HOLE DIMENSIONS**

- NOTES:**
- MATERIALS AND FINISHES:**  
 BODYS - BRASS, NICKEL PLATING  
 CONTACT - BECU, GOLD PLATING  
 SLEEVE - DELRIN  
 INSULATOR - PTFE
  - ELECTRICAL:**  
 A. IMPEDANCE: 75 OHM  
 B. FREQUENCY RANGE: DC - 3 GHz  
 C. RETURN LOSS: -30 dB MIN @ 3 GHz
  - MECHANICAL:**  
 A. DURABILITY: 500 CYCLES MIN.  
 B. TEMPERATURE RANGE: +65° C TO -165° C
  - PACKAGING:**  
 A. QUANTITY: SINGLE PACK  
 B. MARKING: BAG TO BE MARKED  
 "AMPHENOLRF, APH-HD-ISO-HD AND DATE CODE"



TITLE	DATE	DRAWN	DATE	MATERIAL
ISOLATED ADAPTER HD BNC JACK TO HD BNC JACK	27-Sep-11	I.XU	27-Sep-11	SEE NOTES
	19-Nov-10	R.KARTHIK	19-Nov-10	REFERENCE EAR # 4295 AND EXP: 615X-2733-100
	27-Sep-11	S.HSIEH	27-Sep-11	CONFIGURATION LEVEL: □□□□
DWG SIZE	REV	FINISH		
B	C			

SCALE:	ITEM NO.	PART NO.
10.0:1.0	APH-HD-ISO-HD	APH-HD-ISO-HD

UNLESS OTHERWISE SPECIFIED, DIMENSIONS ARE IN METRIC AND TOLERANCES ARE:  
 <math>\pm 0.5mm</math> 0.5 - 6mm  
 <math>\pm 0.1mm</math> 6 - 30mm  
 <math>\pm 0.2mm</math> 30 - 120mm  
 <math>\pm 0.3mm</math> ANGLES

NOTICE: These drawings, specifications, or other data (1) are, and remain the property of Amphenol Corp. (2) must be returned upon request, and (3) are confidential and not to be disclosed to any person other than those to whom they are intended, and not to be used for any other purpose. Amphenol Corp. and other data by Amphenol Corp., or to any other person to engage for any purpose is not to be regarded by implication or otherwise in any manner, licensing, granting rights to permitting such holder or any other person to manufacture, use or sell any product, process or design, patented or otherwise, that may in any way be related to or disclosed by said drawings, specifications, or other data.

**Amphenol RF**  
 www.amphenolrf.com

DRAWING NO. APH-HD-ISO-HD  
 ITEM NO. APH-HD-ISO-HD  
 PART NO. APH-HD-ISO-HD