

AMPHENOL RF PART NUMBER

SMP-FR-C07

SMP Right Angle Crimp Plug for .086 Semi-Rigid Cable, 50 Ohm



PRODUCT OVERVIEW

RF Connector, SMP Right Angle Crimp Plug for .086 Semi-Rigid Cable, 50 Ohm

| | |
|----------------|------------|
| Product Type | Connectors |
| Product Series | SMP |
| Status | Active |

PRODUCT SPECIFICATIONS

| | |
|---------------------------|--|
| Gender | Plug |
| Orientation | Right Angle |
| Termination Style | Cable - Solder |
| Impedance (Ohms) | 50 |
| Body Finish | Gold |
| Body Material | Beryllium Copper |
| Contact Finish | Gold |
| Contact Material | Beryllium Copper |
| Contact Termination Style | Solder |
| Insulator Material | PTFE |
| Cable Group | L2 |
| Cable Type | 0.085 Semi-Rigid, 0.086 Semi-Rigid, RG-405 |
| Coupling Mechanism | Push-on |
| Max Frequency (GHz) | 26.5 |

| | |
|-----------------------------|----------|
| Polarity | Standard |
| Min. Temp. (Celsius) | -65 |
| Max. Temp. (Celsius) | 165 |
| Mating Cycles | 100 |
| Weight (Grams) | 0.456 |
| Package Type | BAG |

PRODUCT COMPLIANCE

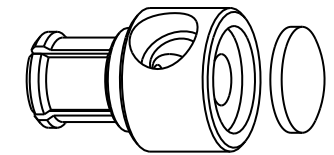
Product compliance documentation, if available is listed below:

| | |
|-------------|-----------------------------|
| RoHS 2 (EU) | Compliant with Exemption 6C |
|-------------|-----------------------------|

THIRD ANGLE PROJ.

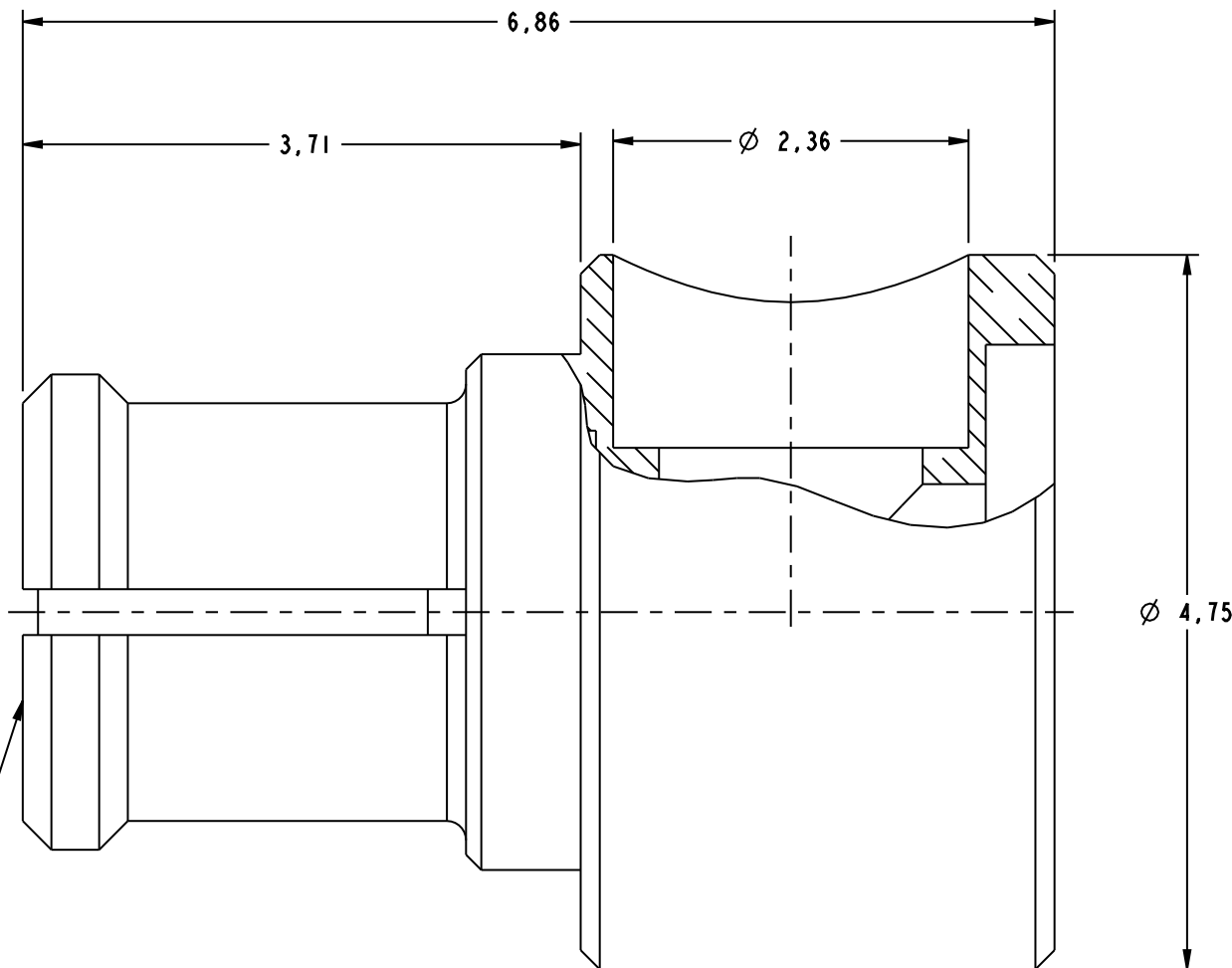
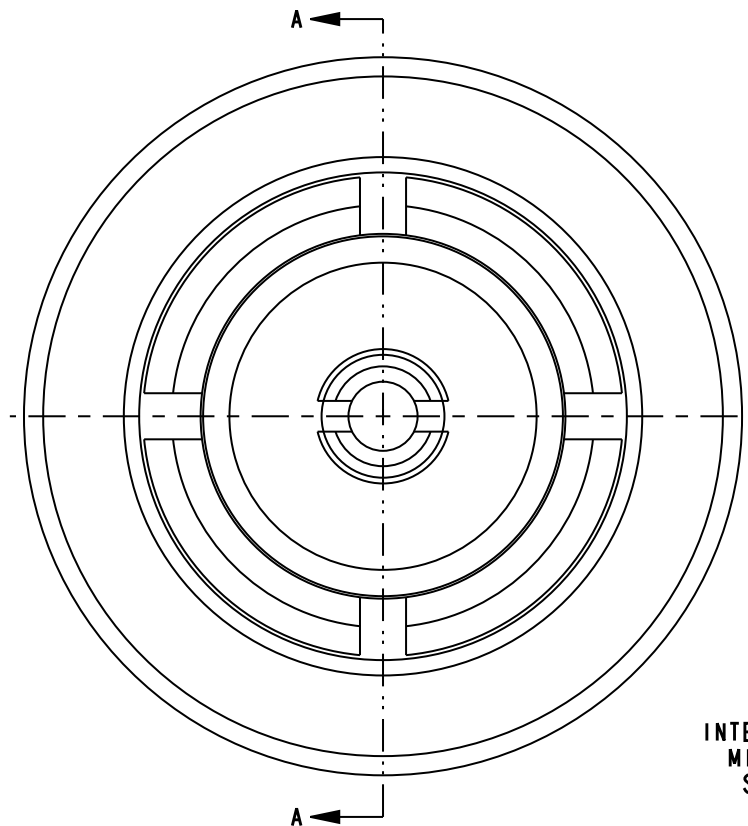
REVISIONS

| REV | DESCRIPTION | DATE | ECO | APPR |
|-----|------------------------------------|-----------|-------|------|
| A2 | SEE SHEET 1 | 24-Mar-05 | -- | SHE |
| B | ITEM 2 WAS CHANGED/RD-DMI0011302SI | 25-Jan-10 | 47962 | AC |



SCALE 4.000

- NOTES:
- MATERIALS AND FINISHES:
 BODY - BeCu, GOLD PLATING, .000030 [0.8] THICK OVER NICKEL
 CONTACT - BeCu, GOLD PLATING, .000030 [0.8] THICK OVER NICKEL
 INSULATOR - PTFE
 - ELECTRICAL:
 A. IMPEDANCE: 50 OHM
 B. FREQUENCY RANGE: DC - 26.5 GHz
 C. VSWR(RETURN LOSS): 1.2 (20.8 dB), MAX. DC-18GHz
 1.35 (15.6 dB), MAX. 18-26.5GHz
 D. DIELECTRIC WITHSTANDING VOLTAGE: 500 VRMS, MIN.
 - PHYSICAL:
 A. DURABILITY: 100 CYCLES MIN.
 B. ENGAGEMENT FORCE: 15 LB [67 N] MAX
 C. DISINGAGEMENT FORCE: 2 LB [9 N] MIN
 E. TEMPERATURE RANGE: -65° C TO 165° C
 - PACKAGING:
 A. QUANTITY: SINGLE PACK
 B. MARKING: AMPHENOL, SMP-FR-C07, DATE CODE
 - SEE AMPHENOL SPEC 349-50687 FOR CABLE ASSEMBLY INSTRUCTIONS.



INTERFACE PER
MIL-STD-348
SERIES SMP

SECTION A-A

CUSTOMER OUTLINE DRAWING
ALL OTHER SHEETS ARE FOR INTERNAL USE ONLY

| | | | | | |
|--|--|----------------------------|-------------------|---|---|
| <p>UNLESS OTHERWISE SPECIFIED, DIMENSIONS ARE IN METRIC AND TOLERANCES ARE: <0.5mm ± 0.05mm 0.5 - 6mm ± 0.1mm 6 - 30mm ± 0.2mm 30 - 120mm ± 0.3mm ANGLES ± 1°</p> <p>NOTICE - These drawings, specifications, or other data (1) are, and remain the property of Amphenol corp. (2) must be returned upon request; and (3) are confidential and not to be disclosed to any person other than those to whom they are given by Amphenol Corp. The furnishing of these drawings, specifications, or other data by Amphenol Corp., or to any other person to anyone for any purpose is not to be regarded by implication or otherwise in any manner licensing, granting rights to permitting such holder or any other person to manufacture, use or sell any product, process or design, patented or otherwise, that may in any way be related to or disclosed by said drawings, specifications, or other data.</p> | MATERIAL | DRAWN S.HE | DATE 25-Jan-10 | TITLE SMP R/A FEMALE SOCKET CONTACT (FOR .086 S.R CABLE) | <p>Amphenol RF Danbury CT USA, Tainan, Taiwan, Shenzhen, China www.amphenolrf.com</p> |
| | REFERENCE GENR ASSYF3.SMP EAR8322 615X-1717 | ENGINEER G.ANTONINI | DATE 24-Mar-05 | | |
| | FINISH | APPROVED A.CHEN | DATE 25-Jan-10 | SCALE: 20.0:1.0 SHEET 2 OF 2 | ITEM NO. SMP-FR-C07 |
| | | Root Folder/SMP/SMP-FR-C07 | DWG SIZE B | REV B | PART NO. SMP-FR-C07 |