

## product details

← back



*Please note: Images are for reference only*

<b>Amphenol Part Number:</b>	908-NM43300
<b>Description:</b>	Non-Magnetic Right Angle Cable Plug for RG-316
<b>Product Series:</b>	<a href="#">MMCX</a>
<b>Product Type:</b>	<a href="#">Connectors</a> » <a href="#">Cable</a>
<b>Body Plating:</b>	<a href="#">White Bronze</a>
<b>Connector Body Style:</b>	<a href="#">Right Angle</a>
<b>Contact Plating:</b>	<a href="#">Gold</a>
<b>Gender:</b>	<a href="#">Plug</a>
<b>Impedance:</b>	<a href="#">50 Ohm</a>
<b>Non Magnetic:</b>	<a href="#">Yes</a>
<b>RoHS Compliant:</b>	<a href="#">Yes</a>

NOTES:

1. MATERIAL AND FINISH:

BODIES: BeCu, WHITE BRONZE PLATING  
 CONTACT: BeCu, GOLD PLATING OVER WHITE BRONZE  
 RETAINING RING: BeCu, GOLD PLATING OVER WHITE BRONZE  
 CAP: BeCu, BeCu, WHITE BRONZE PLATING  
 FERRULE: SEAMLESS COPPER TUBING, WHITE BRONZE PLATING  
 INSULATOR : PTFE

2. ELECTRICAL:

A. IMPEDANCE: 50 OHM  
 B. FREQUENCY RANGE: DC - 6 GHz  
 C. VSWR(RETURN LOSS): 1.25:1 MAX.  
 D. DIELECTRIC WITHSTANDING VOLTAGE: 500 VRMS, MIN.

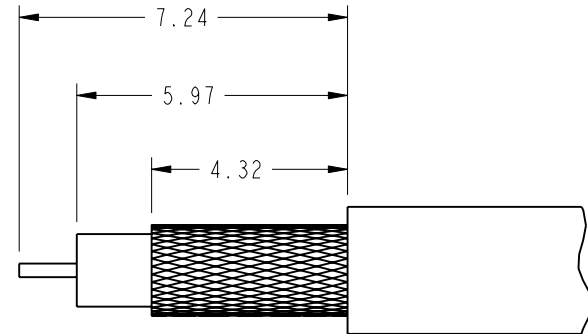
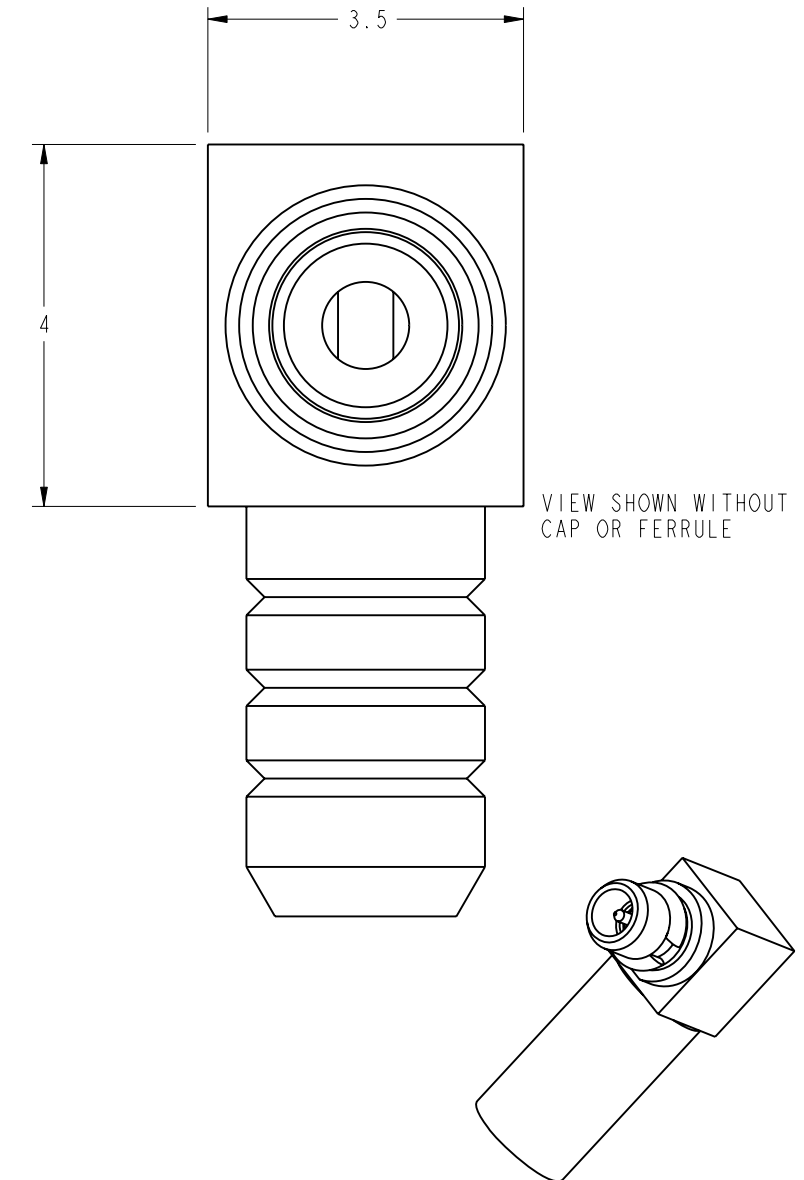
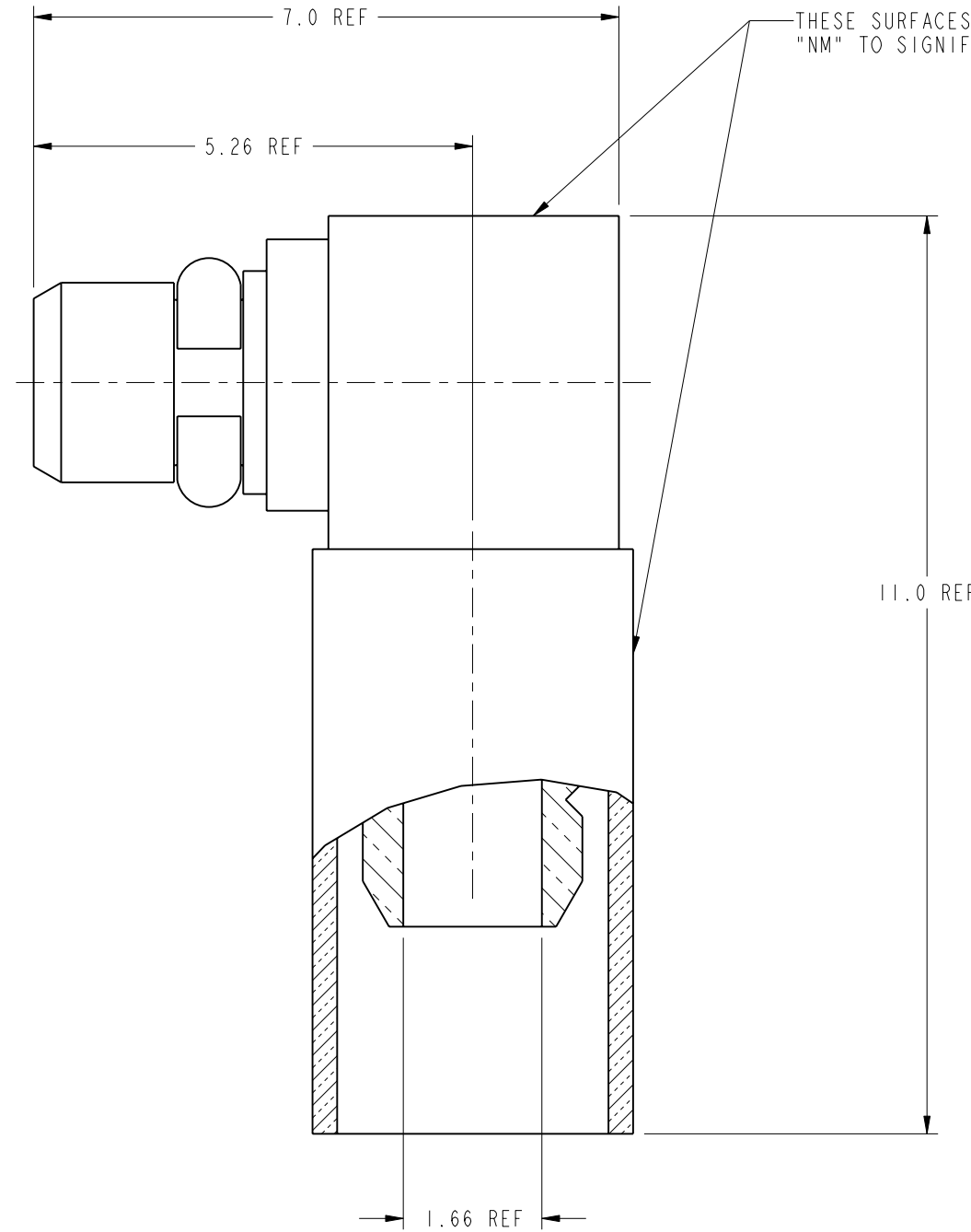
3. MECHANICAL:

A. DURABILITY: 500 CYCLES MIN.  
 B. TEMPERATURE RANGE: -65° C TO 165° C  
 C. CRIMP FERRULE WITH .128" HEX

4. PACKAGING:

A. QUANTITY: 100 PIECE BULK PACK  
 B. MARKING: BAG TO BE MARKED  
 "AMPHENOL, 908-NM43300, DATE CODE, AND  
 "NON MAGNETIC CONNECTORS"

908-NM43300		REVISIONS			
PART NO.	REV	DESCRIPTION	DATE	ECO	APPR
THIRD ANGLE PROJ.	A	RELEASE TO MFG.	8/8/06	46108	KJC
	B	SEE SHEET 2.	10/24/06	46304	KJC



**RECOMMENDED CABLE STRIPPING DIMENSIONS**

**CUSTOMER OUTLINE DRAWING**  
 ALL OTHER SHEETS ARE FOR INTERNAL USE ONLY

**METRIC DRAWING**

UNLESS OTHERWISE SPECIFIED, DIMENSIONS ARE METRIC AND TOLERANCES ARE: 1 PLACE DECIMAL      2 PLACE DECIMAL      ANGLES ± 0.3MM (.012")      ± .10 MM (.004")      ± 1°	MATERIAL	DRAWN K. CAPOZZI	DATE 18-Jul-06	TITLE ASSEMBLY MMCX R/A PLUG TO RG-316 NON MAGNETIC		Amphenol RF Danbury CT USA, Tainan, Taiwan, Shenzhen, China www.amphenolrf.com	
	REFERENCE EAR # 1952      AND      908-7007	ENGINEER K. CAPOZZI	DATE 18-Jul-06			DRAWING NO.	
NOTICE - These drawings, specifications, or other data (1) are, and remain the property of Amphenol corp. (2) must be returned upon request; and (3) are confidential and not to be disclosed to any person other than those to whom they are given by Amphenol Corp. the furnishing of these drawings, specifications, or other data by Amphenol Corp., or to any other person to anyone for any purpose is not to be regarded by implication or otherwise in any manner licensing, granting rights to permitting such holder or any other sperson to manufacture, use or sell any product, process or design, patented or otherwise, that may in any way be related to or disclosed by said drawings, specifications, or other data.	CONFIGURATION LEVEL: Engineering Change	APPROVED B. C. GLEISSNER	DATE 8/8/06	SCALE: 12.0:1.0	SHEET 2 OF 2	ITEM NO.	PART NO. 908-NM43300
	FINISH	Root Folder/MMCX/908-NM43300	DWG SIZE B	CODE ID 74868	REV B		

## ELECTRICAL

	CECC22000	Test Requirement
Impedance		50 Ohm
Frequency Range		DC thru 6 GHz
VSWR <u>SMT and Edgcard</u> (Mated Pair) DC - 4 GHz 4-6 GHz  <u>Cabled</u> Straight, Semi-Rigid Straight, Flex Right Angle, Semi-Rigid Right Angle, Flex	4.4.1	1.15 Max 1.40 Max  1.15 Max 1.20 Max 1.20 Max 1.25 Max
Dielectric Withstanding Voltage (at Sea Level)	4.4.5	500 V rms, 50 Hz
Working Voltage (at Sea Level)	4.4.4	≤170 V rms, 50 Hz
Insulation Resistance	4.4.4	≥500 MΩ
Contact Resistance Center Conductor Outer Conductor	4.4.2 4.4.3	≤10 mΩ ≤5 mΩ

NOTE: These characteristics are typical and may not apply to all connectors.

## ENVIRONMENTAL

	CECC22000	Test Requirement
Temperature Range		-40°C thru 90°C
Temperature Shock	4.6.7	Mil-STD-202, Method 107
Humidity	4.6.6	Mil-STD-202, Method 103, Condition B
Vibration	4.6.3	3 cycles, 3 opposite directions, 10-150 Hz, 10-60 Hz: 0.75mm/.030 in., 60-150Hz 10G's
Mechanical Shock	4.6.4	Mil-STD-202, Method 213, Condition B

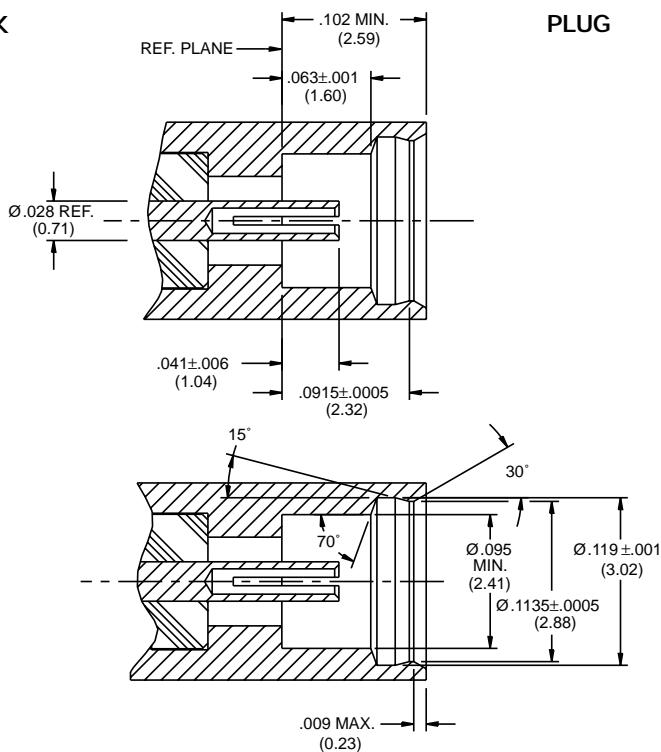
## MECHANICAL

	CECC22000	Test Requirement
Engagement Force	4.5.4	≤3.4 lbs.
Disengagement Force	4.5.4	1.4 lbs. to 3.4 lbs.
Contact Captivation	4.5.2	2.3 lbs.
Durability (Machined)	4.7.1	≥500 cycles

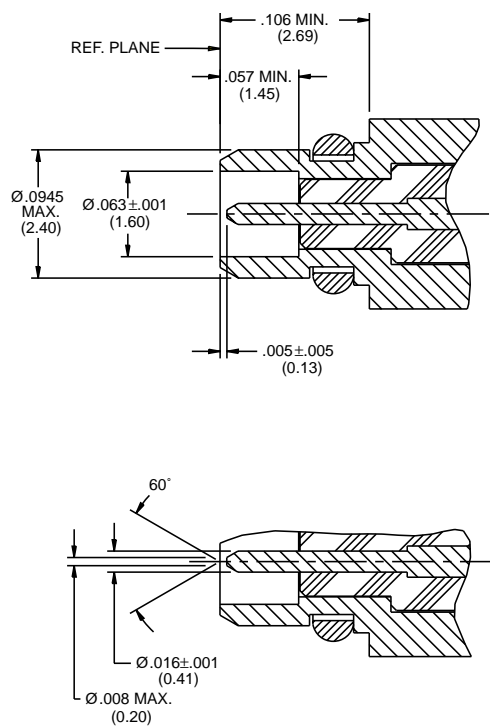
## MATERIAL

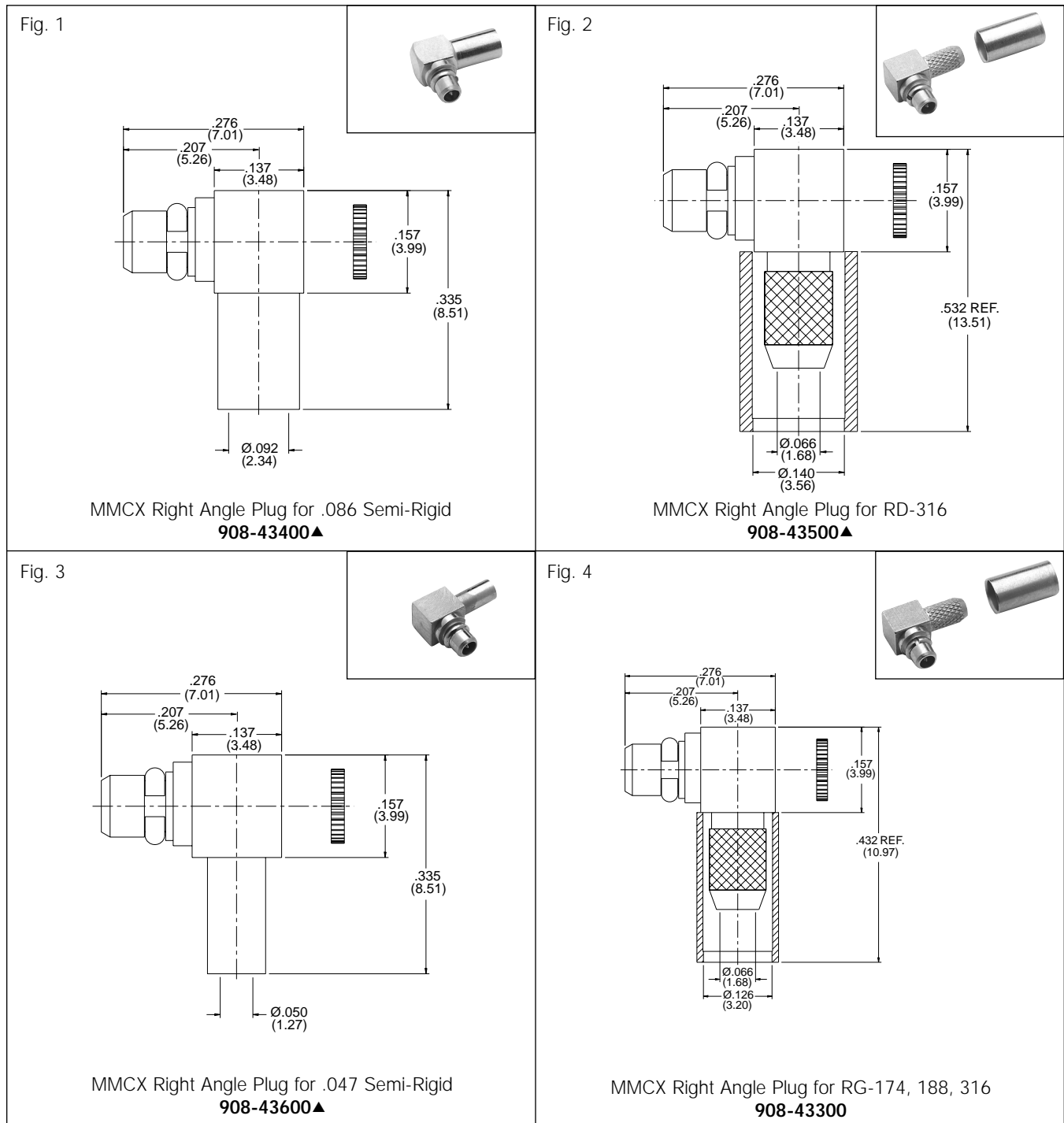
Connector Part	Standards	Material	Plating
Leads	QQ-C-530	BeCu	Gold
Contact Socket	QQ-C-530	BeCu	Gold
Outer Conductor	QQ-C-530	BeCu	Gold
Housing (SMT)	—	Liquid Crystal Polymer	—
Insulator	ASTM-D1457	PTFE	—

## JACK



## PLUG





## MicroMate™ (MMCX) CABLE CONNECTORS

Cable RG-/U	Cable Attachment		CAI	Plt.	Ins.	Construction Notes	Amphenol Number	Fig.
	Outer	Inner						
.086 Semi-Rigid	Solder	Solder	C73	P11	D1	Captivated Contact	▲ 908-43400	1
RD-316	Crimp	Solder	C72	P11	D1	Captivated Contact	▲ 908-43500	2
.047 Semi-Rigid	Solder	Solder	C73	P11	D1	Captivated Contact	▲ 908-43600	3
RG-174, 188, 316	Crimp	Solder	C72	P11	D1	Captivated Contact	▲ 908-43300	4

▲ Distributor Stocked